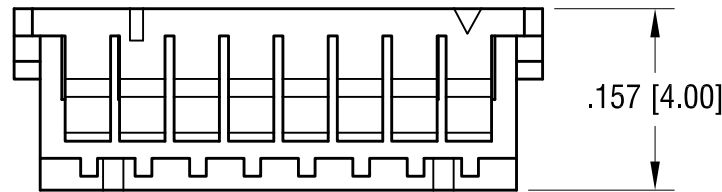
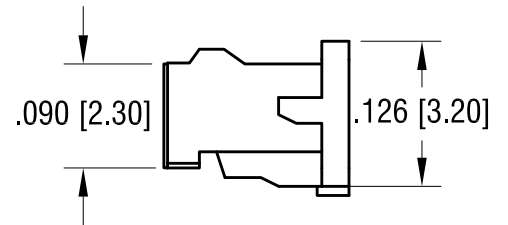
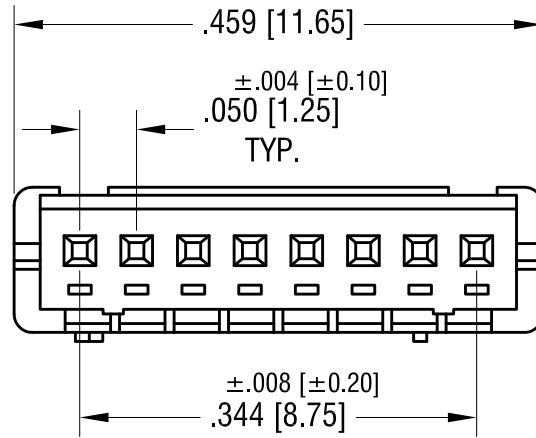
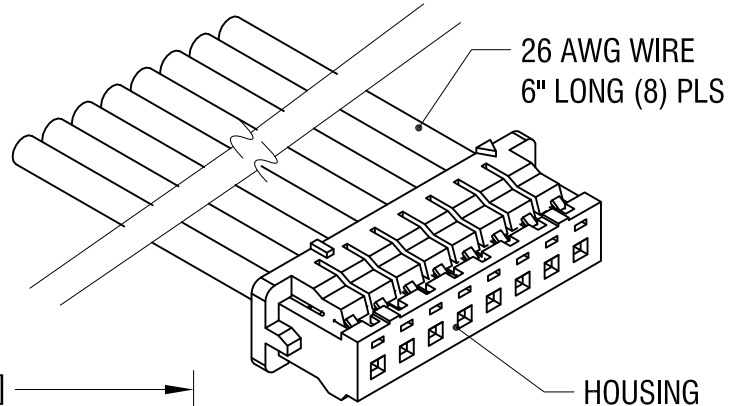
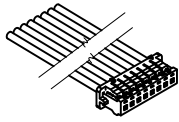


THIS DOCUMENT IS THE PROPERTY OF
KEYSTONE ELECTRONICS CORP. AND
SHALL NOT BE REPRODUCED, DISTRIBUTED
OR USED AS A BASIS FOR MANUFACTURE
WITHOUT PRIOR WRITTEN PERMISSION
FROM KEYSTONE ELECTRONICS CORP.

ACTUAL SIZE



NOTE:

- | | |
|--|--|
| <p>1. CURRENT RATING: 1A AC, DC
VOLTAGE RATING: 150V AC, DC
TEMPERATURE RANGE: -40°C TO +105°C
CONTACT RESISTANCE: 30mΩ MAX.
INSULATION RESISTANCE: 500MΩ MIN.
WITHSTANDING VOLTAGE : 500V AC/minuts</p> | <p>2. 1.25mm PITCH CRIMP TERMINAL (8PCS)
MAT'L- PHOSPHOR BRONZE
FINISH- TIN PLATE</p> <p>3. HOUSING: MAT'L- NYLON 6/6, UL94V-0
COLOR- GRAY</p> <p>4. WIRE: 26 AWG (WHITE COLOR), 6.00 [152.3] LONG</p> |
|--|--|

KEYSTONE ELECTRONICS CORP.			
www.keyelco.com • ASTORIA, N.Y. 11105-2017 • Tel (718) 956-8900			
PART NAME		8 PIN FEMALE CONNECTOR	
MATERIAL		AS NOTED	
FINISH		DRN BY	DATE
AS NOTED		NT	5.11.16
		APP'D	SCALE
		LN	6X
TOLERANCES	INCH [MM]	CODE	DWG NO.
DECIMAL	± .010 [± 0.25]	C	961H
ANGULAR	± 1°		
UNLESS OTHERWISE SPECIFIED			

DATE	DESCRIPTION	REV.	
------	-------------	------	--