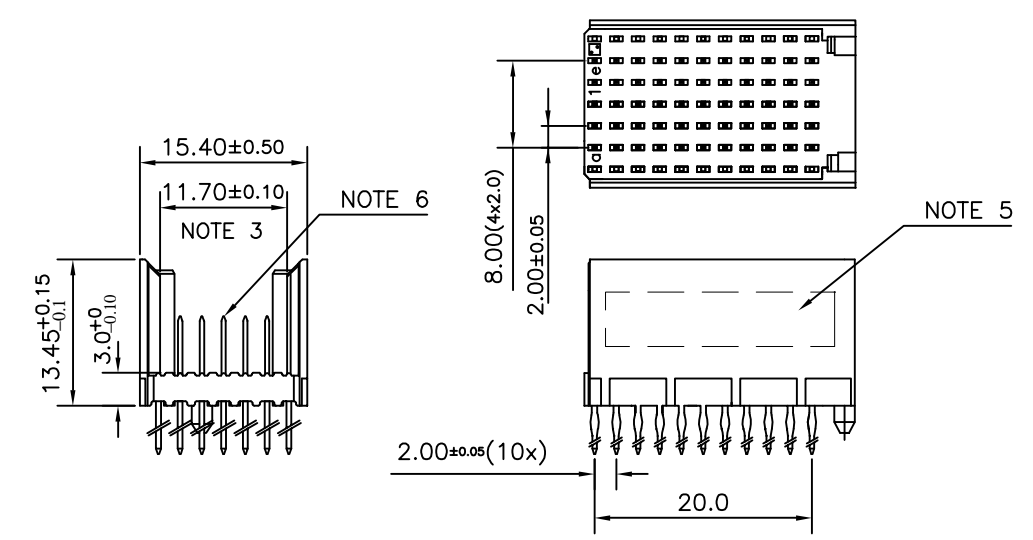


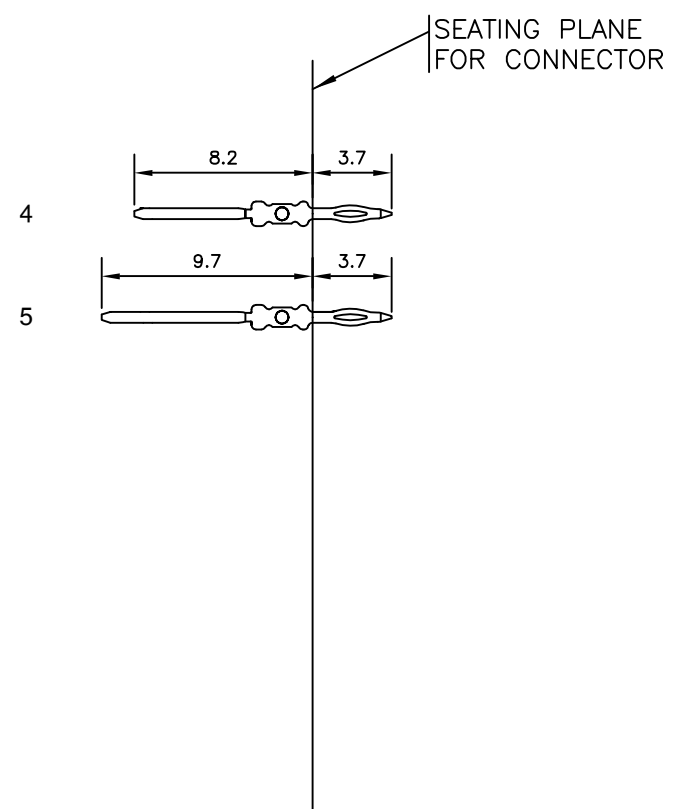
LOADING PATTERN MATING SIDE

f	0	0	0	0	0	0	0	0	0	0
e	4	4	4	4	4	4	4	4	4	4
d	4	4	4	4	4	4	4	4	4	4
c	4	4	4	4	4	4	5	4	4	4
b	4	4	4	4	4	4	4	4	4	4
a	4	4	4	4	4	4	4	4	4	4
z	0	0	0	0	0	0	0	0	0	0
POS	01					05				10

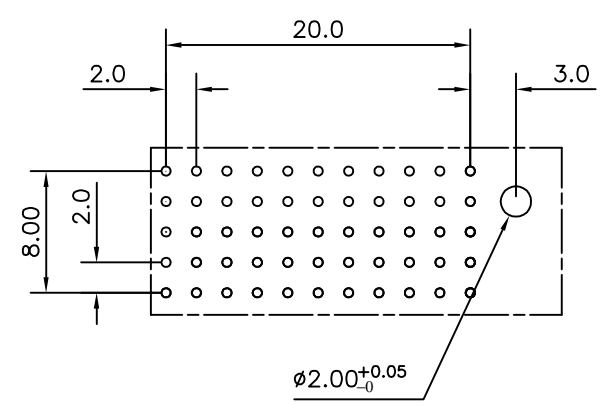
LOADED CONNECTOR ASSEMBLY (FOR EXAMPLE)



CONTACT OVERVIEW



LAY-OUT P.C.B.-HOLE



HM2P09PDH3T0 LEAD FREE INDICATOR : LF = LEAD FREE (DIGIT 15 & 16)
PLATING CODE (DIGIT 13 AND 14) (REF DRW NO. BS,C , 201844 , 003)

NOTES

- THIS PRODUCT IS CSA APPROVED.
- THIS PRODUCT IS UL RECOGNIZED.
- MEASURED AT THE BOTTOM.
- MATERIAL CONTACT: PHOSPHORBRONZE
HOUSING: CREAM WHITE GLASS FILLED POLYESTER UL-94V0
- CONNECTOR PRINTED WITH P/N AND DATE CODE.
- FOR ACTUAL CONTACT LOADINGS, SEE LOADING PATTERN MATING SIDE.
- SHAPE OF CONNECTOR HOUSING CAN ALTER DEPENDING ON PRODUCTION LOCATION
- THIS PRODUCT (LF) MEETS EUROPEAN UNION DIRECTIVES AND OTHER COUNTRY REGULATIONS AS DESCRIBED IN GS-22-008
- FOR RECOMMENDED PTH DIMENSIONS REFER DRAWING : BS, A , 201572 , 001

CATALOG NO: HM2P09PDH3T0----

mat'l. code		surface		tolerance		projection		product family		
SEE NOTE - 4		ISO 1302 ✓		ISO 406 ISO 1101				MLLIPACS		
ltr	ecn no	dr	date	tolerances unless otherwise specified		mm		title		
A	106-0046	MINI	17/04/2006	angles	linear			MLLIPACS 5+2R STR HDR CONN TYPE C		
				0°±1'		scale 1:1				
		dr	MINI K VANDANATH	17/04/2006				dwg no		
		enr	BIJU K PAUL	17/04/2006	sheet 1 of 1			size		
		chr	BIJU K PAUL	17/04/2006	BS, C ,203028, 700			A3		
		appd	SOMASUNDARAM	17/04/2006	type Product Customer Drawing					
sheet index	revision sheet									

Copyright FCJ
 FCJconnect.com