

ME-IO 75,2 LB/FE 10U TBUS 7035 - Mounting base housing



2202621

<https://www.phoenixcontact.com/us/products/2202621>

Please be informed that the data shown in this PDF document is generated from our online catalog. Please find the complete data in the user documentation. Our general terms of use for downloads are valid.



DIN rail housing, Lower housing part with metal foot catch, with vents, width: 75.87 mm, height: 120.6 mm, depth: 64.3 mm, color: light grey (7035), cross connection: DIN rail connector (optional), number of positions cross connector: 5 or 8

Your advantages

- Easy, tool-free mounting
- Optional DIN rail connector for easy module-to-module communication
- Lock and Release principle for automatic latching and intuitive release of the front connection plug
- Plastic in accordance with UL94 V0: for more rigorous flammability requirements
- Integrated FE contact for simple electromagnetically compatible installation
- Wide design: ideal for integrating TFT displays for controllers
- L-design: ideal for flush integration of standard interfaces such as RJ45

Commercial data

Item number	2202621
Packing unit	1 pc
Minimum order quantity	3 pc
Sales key	AC15
Product key	ACHEBA
GTIN	4055626199269
Weight per piece (including packing)	80.97 g
Weight per piece (excluding packing)	71.91 g
Customs tariff number	85389099
Country of origin	DE

ME-IO 75,2 LB/FE 10U TBUS 7035 - Mounting base housing

2202621

<https://www.phoenixcontact.com/us/products/2202621>

Technical data

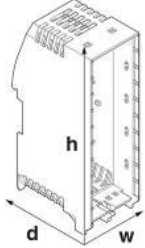
Notes

General	Refer to the data sheet for the range in the download area.
General	Material of contact pads for bus connector, galvanic gold (hard gold)

Product properties

Product type	Enclosure bottom part
Max. number of positions	156 (pitch: 3.45 mm)
	104 (pitch: 5 mm)
Type	Lower housing part with metal foot catch
Housing type	DIN rail housing
Ventilation openings present	yes
Housing series	ME-IO

Dimensions

Dimensional drawing	
Width	75.87 mm
Height	120.6 mm
Depth	64.3 mm
Depth from top edge of DIN rail	57.7 mm

PCB design

PCB thickness	1.4 mm ... 1.8 mm
---------------	-------------------

Material specifications

Color	light grey (7035)
Flammability rating according to UL 94	V0
Surface characteristics	untreated
Housing material	Polyamide

Environmental and real-life conditions

Power dissipation single housing for 20 °C

Ambient temperature	20 °C
Reduction factor	1
Mounting position	vertical

ME-IO 75,2 LB/FE 10U TBUS 7035 - Mounting base housing



2202621

<https://www.phoenixcontact.com/us/products/2202621>

Power dissipation	25 W
-------------------	------

Power dissipation single housing for 30 °C

Ambient temperature	30 °C
Reduction factor	0.82
Mounting position	vertical
Power dissipation	20.5 W

Power dissipation single housing for 40 °C

Ambient temperature	40 °C
Reduction factor	0.62
Mounting position	vertical
Power dissipation	15.5 W

Power dissipation single housing for 50 °C

Ambient temperature	50 °C
Reduction factor	0.46
Mounting position	vertical
Power dissipation	11.5 W

Power dissipation single housing for 60 °C

Ambient temperature	60 °C
Reduction factor	0.3
Mounting position	vertical
Power dissipation	7.9 W

Vibration test

Specification	IEC 60068-2-6:2007-12
Frequency	10 - 150 - 10 Hz
Sweep speed	1 octave/min
Amplitude	0.15 mm (10 Hz ... 58.1 Hz)
Acceleration	2g (58.1 Hz ... 150 Hz)
Test duration per axis	2.5 h
Test directions	X-, Y- and Z-axis

Glow-wire test

Specification	IEC 60695-2-11:2014-02
Temperature	850 °C
Time of exposure	30 s

Thermal stability / ball thrust test

Specification	IEC 60695-10-2:2014-02
Temperature	125 °C
Test duration	1 h
Force	20 N

Mechanical strength / tumbling barrel

Specification	IEC 60068-2-31:2008-05
---------------	------------------------

ME-IO 75,2 LB/FE 10U TBUS 7035 - Mounting base housing



2202621

<https://www.phoenixcontact.com/us/products/2202621>

Height of fall	50 cm
Frequency	50

Shocks

Specification	IEC 60068-2-27:2008-02
Pulse shape	Semi-sinusoidal
Acceleration	15g
Shock duration	11 ms
Number of shocks per direction	3
Test directions	X-, Y- and Z-axis (pos. and neg.)

Test for substances that would hinder coating with paint or varnish

Specification	VDMA 24364:2018-05
---------------	--------------------

Degree of protection (IP code)

Specification	IEC 60529:1989-11 + AMD 1:1999-11 + AMD 2:2013-08
---------------	---

Ambient conditions

Max. IP code to attain	IP20
Ambient temperature (operation)	-40 °C ... 105 °C (depending on power dissipation)
Ambient temperature (storage/transport)	-40 °C ... 55 °C
Ambient temperature (assembly)	-5 °C ... 100 °C
Relative humidity (storage/transport)	80 %

PCB data

Number of PCB holders	4
Type of PCB mount	Latching
Total PCB surface	23300 mm ²
Thickness of the PCB	1.4 mm ... 1.8 mm

Mounting

Mounting type	DIN rail mounting
Mounting position	Vertical (horizontal DIN rail)

Packaging specifications

Type of packaging	packed in cardboard
Outer packaging type	Carton

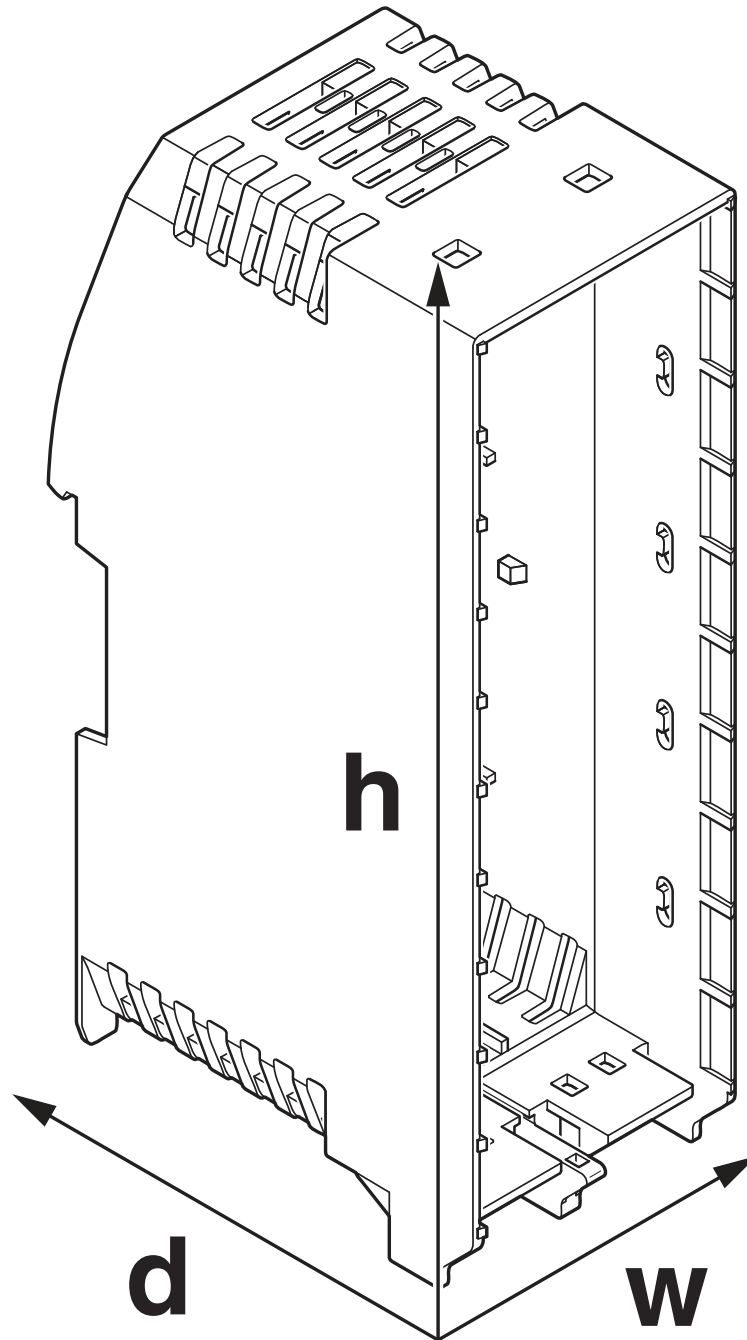
ME-IO 75,2 LB/FE 10U TBUS 7035 - Mounting base housing

2202621

<https://www.phoenixcontact.com/us/products/2202621>

Drawings

Dimensional drawing



Schematic figure for illustrating the item dimensions. The figure is not of the desired product. For further details, refer to the product drawings in the "Downloads" tab.

ME-IO 75,2 LB/FE 10U TBUS 7035 - Mounting base housing



2202621

<https://www.phoenixcontact.com/us/products/2202621>

Approvals

🔗 To download certificates, visit the product detail page: <https://www.phoenixcontact.com/us/products/2202621>



EAC

Approval ID: B.01687



UL Recognized

Approval ID: FILE E 240868

ME-IO 75,2 LB/FE 10U TBUS 7035 - Mounting base housing



2202621

<https://www.phoenixcontact.com/us/products/2202621>

Classifications

ECLASS

ECLASS-11.0	27182702
ECLASS-13.0	27190601

ETIM

ETIM 8.0	EC001031
----------	----------

UNSPSC

UNSPSC 21.0	31261500
-------------	----------

ME-IO 75,2 LB/FE 10U TBUS 7035 - Mounting base housing



2202621

<https://www.phoenixcontact.com/us/products/2202621>

Environmental product compliance

China RoHS	Environmentally friendly use period: unlimited = EFUP-e
	No hazardous substances above threshold values

ME-IO 75,2 LB/FE 10U TBUS 7035 - Mounting base housing



2202621

<https://www.phoenixcontact.com/us/products/2202621>

Accessories

ME-IO 18,8 C 2U 7035 - Housing cover

2201799

<https://www.phoenixcontact.com/us/products/2201799>



DIN rail housing, 2U, Housing cover, width: 18.9 mm, height: 21.8 mm, depth: 26 mm, color: light grey (7035)

ME-IO 18,8 C 3U 7035 - Housing cover

2201800

<https://www.phoenixcontact.com/us/products/2201800>



DIN rail housing, 3U, Housing cover, width: 18.9 mm, height: 32.8 mm, depth: 26 mm, color: light grey (7035)

ME-IO 75,2 LB/FE 10U TBUS 7035 - Mounting base housing



2202621

<https://www.phoenixcontact.com/us/products/2202621>

ME-IO 18,8 C 3U S1 7035 - Housing cover

2201801

<https://www.phoenixcontact.com/us/products/2201801>



DIN rail housing, 3U, Housing cover, width: 18.9 mm, height: 32.8 mm, depth: 26 mm, color: light grey (7035)

ME-IO 18,8 C 4U 7035 - Housing cover

2201802

<https://www.phoenixcontact.com/us/products/2201802>



DIN rail housing, 4U, Housing cover, width: 18.9 mm, height: 43.8 mm, depth: 26 mm, color: light grey (7035)

ME-IO 75,2 LB/FE 10U TBUS 7035 - Mounting base housing

2202621

<https://www.phoenixcontact.com/us/products/2202621>

ME-IO 18,8 C 5U 7035 - Housing cover

2201803

<https://www.phoenixcontact.com/us/products/2201803>



DIN rail housing, 5U, Housing cover, width: 18.9 mm, height: 54.8 mm, depth: 26 mm, color: light grey (7035)

ME-IO 18,8 C 6U 7035 - Housing cover

2201804

<https://www.phoenixcontact.com/us/products/2201804>



DIN rail housing, 6U, Housing cover, width: 18.9 mm, height: 65.8 mm, depth: 26 mm, color: light grey (7035)

ME-IO 75,2 LB/FE 10U TBUS 7035 - Mounting base housing



2202621

<https://www.phoenixcontact.com/us/products/2202621>

ME-IO 18,8 C 7U 7035 - Housing cover

2201805

<https://www.phoenixcontact.com/us/products/2201805>



DIN rail housing, 7U, Housing cover, width: 18.9 mm, height: 76.8 mm, depth: 26 mm, color: light grey (7035)

ME-IO 18,8 C 8U 7035 - Housing cover

2202634

<https://www.phoenixcontact.com/us/products/2202634>



DIN rail housing, 8U, Housing cover, width: 18.9 mm, height: 87.8 mm, depth: 26 mm, color: light grey (7035)

ME-IO 75,2 LB/FE 10U TBUS 7035 - Mounting base housing

2202621

<https://www.phoenixcontact.com/us/products/2202621>

ME-IO 18,8 C 10U 7035 - Housing cover

2202630

<https://www.phoenixcontact.com/us/products/2202630>



DIN rail housing, 10U, Housing cover, width: 18.9 mm, height: 109.8 mm, depth: 26 mm, color: light grey (7035)

ME-IO 18,8 C 2U MC10 7035 - Housing cover

2202582

<https://www.phoenixcontact.com/us/products/2202582>



DIN rail housing, 2U for marking lid, Housing cover, width: 18.9 mm, height: 21.9 mm, depth: 26 mm, color: light grey (7035)

ME-IO 75,2 LB/FE 10U TBUS 7035 - Mounting base housing



2202621

<https://www.phoenixcontact.com/us/products/2202621>

ME-IO 18,8 C 2U MC18 7035 - Housing cover

2202581

<https://www.phoenixcontact.com/us/products/2202581>



DIN rail housing, 2U for marking lid, Housing cover, width: 18.9 mm, height: 21.9 mm, depth: 26 mm, color: light grey (7035)

ME-IO 18,8 MC 8U TRANS - Marking lid

2202627

<https://www.phoenixcontact.com/us/products/2202627>



DIN rail housing, 8U, Marking lid, width: 18.8 mm, height: 110.95 mm, color: transparent

ME-IO 75,2 LB/FE 10U TBUS 7035 - Mounting base housing

2202621

<https://www.phoenixcontact.com/us/products/2202621>

ME-IO 37,6 C 10U 7035 - Housing cover

2202665

<https://www.phoenixcontact.com/us/products/2202665>



DIN rail housing, 10U, Housing cover, width: 37.89 mm, height: 109.8 mm, depth: 26 mm, color: light grey (7035)

ME-IO 56,4 C 10U 7035 - Housing cover

2202662

<https://www.phoenixcontact.com/us/products/2202662>



DIN rail housing, 10U, Housing cover, width: 56.88 mm, height: 109.8 mm, depth: 29.5 mm, color: light grey (7035)

ME-IO 75,2 LB/FE 10U TBUS 7035 - Mounting base housing



2202621

<https://www.phoenixcontact.com/us/products/2202621>

ME-IO 18,8 LC 8U 7035 - Housing cover

2202622

<https://www.phoenixcontact.com/us/products/2202622>



DIN rail housing, 8U L design, Housing cover, width: 20.94 mm, height: 114.1 mm, depth: 30.1 mm, color: light grey (7035)

ME-IO 18,8 LC 10U 7035 - Housing cover

2202626

<https://www.phoenixcontact.com/us/products/2202626>



DIN rail housing, 10U L design, Housing cover, width: 20.94 mm, height: 114.1 mm, depth: 30.1 mm, color: light grey (7035)

ME-IO 75,2 LB/FE 10U TBUS 7035 - Mounting base housing



2202621

<https://www.phoenixcontact.com/us/products/2202621>

ME-IO 18,8 F-LR 7035 - Filler plugs

2202635

<https://www.phoenixcontact.com/us/products/2202635>



DIN rail housing, Filler plugs, for closing the Lock and Release area, width: 11.7 mm, height: 16.1 mm, depth: 10.6 mm, color: light grey (7035)

ME-IO P 10U 7035 - Separating plate

2202629

<https://www.phoenixcontact.com/us/products/2202629>



DIN rail housing, Insulation plate, Housing cover, width: 2.69 mm, height: 112.2 mm, depth: 28.5 mm, color: light grey (7035)

ME-IO 75,2 LB/FE 10U TBUS 7035 - Mounting base housing

2202621

<https://www.phoenixcontact.com/us/products/2202621>

HSC-LR 9U KIT 2003 - Locking

2201794

<https://www.phoenixcontact.com/us/products/2201794>



DIN rail housing, 9U, Lock and Release system, width: 16.1 mm, height: 111.8 mm, depth: 8.8 mm, color: orange (2003)

HSC-LR 7U KIT 2003 - Locking

2201795

<https://www.phoenixcontact.com/us/products/2201795>



DIN rail housing, 7U, Lock and Release system, width: 16.1 mm, height: 89.95 mm, depth: 8.8 mm, color: orange (2003)

ME-IO 75,2 LB/FE 10U TBUS 7035 - Mounting base housing

2202621

<https://www.phoenixcontact.com/us/products/2202621>

HSC-LR 5U KIT 2003 - Locking

2201796

<https://www.phoenixcontact.com/us/products/2201796>



DIN rail housing, 5U, Lock and Release system, width: 16.1 mm, height: 67.95 mm, depth: 8.8 mm, color: orange (2003)

HSC-LR 3U KIT 2003 - Locking

2201797

<https://www.phoenixcontact.com/us/products/2201797>



DIN rail housing, 3U, Lock and Release system, width: 16.1 mm, height: 45.95 mm, depth: 8.8 mm, color: orange (2003)

ME-IO 75,2 LB/FE 10U TBUS 7035 - Mounting base housing

2202621

<https://www.phoenixcontact.com/us/products/2202621>

HSCH 2,5-3U/12 9005 - PCB header

2201788

<https://www.phoenixcontact.com/us/products/2201788>



PCB headers, nominal cross section: 2.5 mm², color: black, nominal current: 8 A, rated voltage (III/2): 320 V, contact surface: Tin, contact connection type: Pin, number of potentials: 12, number of rows: 2, number of positions: 12, number of connections: 12, product range: HSCH 2,5/..-G, pitch: 5 mm, mounting: Wave soldering, pin layout: Linear pinning, solder pin [P]: 3.8 mm, number of solder pins per potential: 1, plug-in system: HSC 2,5, Pin connector pattern alignment: Standard, locking: without, mounting: without, type of packaging: packed in cardboard

HSCH 2,5-2U/ 8 9005 - PCB header

2201789

<https://www.phoenixcontact.com/us/products/2201789>



PCB headers, nominal cross section: 2.5 mm², color: black, nominal current: 8 A, rated voltage (III/2): 320 V, contact surface: Tin, contact connection type: Pin, number of potentials: 8, number of rows: 2, number of positions: 8, number of connections: 8, product range: HSCH 2,5/..-G, pitch: 5 mm, mounting: Wave soldering, pin layout: Linear pinning, solder pin [P]: 3.8 mm, number of solder pins per potential: 1, plug-in system: HSC 2,5, Pin connector pattern alignment: Standard, locking: without, mounting: without, type of packaging: packed in cardboard

ME-IO 75,2 LB/FE 10U TBUS 7035 - Mounting base housing

2202621

<https://www.phoenixcontact.com/us/products/2202621>

HSCH 2,5-2U-TTTT 9005 - PCB header

2201790

<https://www.phoenixcontact.com/us/products/2201790>



PCB headers, nominal cross section: 2.5 mm², color: black, nominal current: 8 A, rated voltage (III/2): 320 V, contact surface: Tin, contact connection type: Pin, number of potentials: 4, number of rows: 2, number of positions: 4, number of connections: 4, product range: HSCH 2,5/..-G, pitch: 5 mm, mounting: Wave soldering, pin layout: Linear pinning, solder pin [P]: 3.8 mm, number of solder pins per potential: 1, plug-in system: HSC 2,5, Pin connector pattern alignment: Standard, locking: without, mounting: without, type of packaging: packed in cardboard, Partially assembled version

HSCH 2,5-2U-2220 9005 - PCB header

2201792

<https://www.phoenixcontact.com/us/products/2201792>



PCB headers, nominal cross section: 2.5 mm², color: black, nominal current: 8 A, rated voltage (III/2): 320 V, contact surface: Tin, contact connection type: Pin, number of potentials: 6, number of rows: 2, number of positions: 6, number of connections: 6, product range: HSCH 2,5/..-G, pitch: 5 mm, mounting: Wave soldering, pin layout: Mixed pinning, solder pin [P]: 3.8 mm, number of solder pins per potential: 1, plug-in system: HSC 2,5, Pin connector pattern alignment: Standard, locking: without, mounting: without, type of packaging: packed in cardboard, Partially assembled version

ME-IO 75,2 LB/FE 10U TBUS 7035 - Mounting base housing

2202621

<https://www.phoenixcontact.com/us/products/2202621>

HSCH 1,5-3U/18 9005 - PCB header

2202232

<https://www.phoenixcontact.com/us/products/2202232>



PCB headers, nominal cross section: 1.5 mm², color: black, nominal current: 8 A, rated voltage (III/2): 160 V, contact surface: Tin, contact connection type: Pin, number of potentials: 18, number of rows: 2, number of positions: 18, number of connections: 18, product range: HSCH 1,5/...-G, pitch: 3.45 mm, mounting: Wave soldering, pin layout: Linear pinning, solder pin [P]: 3.8 mm, number of solder pins per potential: 1, plug-in system: HSC 1,5, Pin connector pattern alignment: Standard, locking: without, mounting: without, type of packaging: packed in cardboard

HSCH 1,5-2U/12 9005 - PCB header

2202233

<https://www.phoenixcontact.com/us/products/2202233>



PCB headers, nominal cross section: 1.5 mm², color: black, nominal current: 8 A, rated voltage (III/2): 160 V, contact surface: Tin, contact connection type: Pin, number of potentials: 12, number of rows: 2, number of positions: 12, number of connections: 12, product range: HSCH 1,5/...-G, pitch: 3.45 mm, mounting: Wave soldering, pin layout: Linear pinning, solder pin [P]: 3.8 mm, number of solder pins per potential: 1, plug-in system: HSC 1,5, Pin connector pattern alignment: Standard, locking: without, mounting: without, type of packaging: packed in cardboard

ME-IO 75,2 LB/FE 10U TBUS 7035 - Mounting base housing

2202621

<https://www.phoenixcontact.com/us/products/2202621>

HSCP-SP 2,5-1U4-7035 - Printed-circuit board connector

2201780

<https://www.phoenixcontact.com/us/products/2201780>



PCB connector, nominal cross section: 2.5 mm², color: light grey, nominal current: 8 A, rated voltage (III/2): 320 V, contact surface: Tin, contact connection type: Socket, number of potentials: 4, number of rows: 2, number of positions: 4, number of connections: 4, product range: HSCP-SP 2,5-..., pitch: 5 mm, connection method: Push-in spring connection, conductor/PCB connection direction: 0 °, locking clip: - Locking clip, plug-in system: HSC 2,5, locking: without, mounting: without, type of packaging: packed in cardboard, Color of the spring lever: orange

HSCP-SP 2,5-1UTT-7035 - Printed-circuit board connector

2201781

<https://www.phoenixcontact.com/us/products/2201781>



PCB connector, nominal cross section: 2.5 mm², color: light grey, nominal current: 8 A, rated voltage (III/2): 320 V, contact surface: Tin, contact connection type: Socket, number of potentials: 2, number of rows: 2, number of positions: 2, number of connections: 4, product range: HSCP-SP 2,5-..., pitch: 5 mm, connection method: Push-in spring connection, conductor/PCB connection direction: 0 °, locking clip: - Locking clip, plug-in system: HSC 2,5, locking: without, mounting: without, type of packaging: packed in cardboard, Color of the spring lever: orange

ME-IO 75,2 LB/FE 10U TBUS 7035 - Mounting base housing

2202621

<https://www.phoenixcontact.com/us/products/2202621>

HSCP-SP 2,5-1U20-7035 - Printed-circuit board connector

2201782

<https://www.phoenixcontact.com/us/products/2201782>



PCB connector, nominal cross section: 2.5 mm², color: light grey, nominal current: 8 A, rated voltage (III/2): 320 V, contact surface: Tin, contact connection type: Socket, number of potentials: 2, number of rows: 2, number of positions: 2, number of connections: 2, product range: HSCP-SP 2,5-..., pitch: 5 mm, connection method: Push-in spring connection, conductor/PCB connection direction: 0 °, locking clip: - Locking clip, plug-in system: HSC 2,5, locking: without, mounting: without, type of packaging: packed in cardboard, Color of the spring lever: orange

HSCP-SP 2,5-1UTT-55/55-7035 - Printed-circuit board connector

2202607

<https://www.phoenixcontact.com/us/products/2202607>



PCB connector, nominal cross section: 2.5 mm², color: light grey, nominal current: 8 A, rated voltage (III/2): 320 V, contact surface: Tin, contact connection type: Socket, number of potentials: 4, number of rows: 2, number of positions: 2, number of connections: 2, product range: HSCP-SP 2,5-..., pitch: 5 mm, connection method: Push-in spring connection, conductor/PCB connection direction: 0 °, locking clip: - Locking clip, plug-in system: HSC 2,5, locking: without, mounting: without, type of packaging: packed in cardboard, Color of the spring levers: green, green / green, green

ME-IO 75,2 LB/FE 10U TBUS 7035 - Mounting base housing

2202621

<https://www.phoenixcontact.com/us/products/2202621>

HSCP-SP 2,5-1U4-00/00-7035 - Printed-circuit board connector

2202569

<https://www.phoenixcontact.com/us/products/2202569>



PCB connector, nominal cross section: 2.5 mm², color: light grey, nominal current: 8 A, rated voltage (III/2): 320 V, contact surface: Tin, contact connection type: Socket, number of potentials: 4, number of rows: 2, number of positions: 4, number of connections: 4, product range: HSCP-SP 2,5-..., pitch: 5 mm, connection method: Push-in spring connection, conductor/PCB connection direction: 0 °, locking clip: - Locking clip, plug-in system: HSC 2,5, locking: without, mounting: without, type of packaging: packed in cardboard, Color of the spring levers: black, black / black, black

HSCP-SP 2,5-1U4-22/22-7035 - Printed-circuit board connector

2202572

<https://www.phoenixcontact.com/us/products/2202572>



PCB connector, nominal cross section: 2.5 mm², color: light grey, nominal current: 8 A, rated voltage (III/2): 320 V, contact surface: Tin, contact connection type: Socket, number of rows: 2, number of positions: 4, number of connections: 4, product range: HSCP-SP 2,5-..., pitch: 5 mm, connection method: Push-in spring connection, conductor/PCB connection direction: 0 °, locking clip: - Locking clip, plug-in system: HSC 2,5, locking: without, mounting: without, type of packaging: packed in cardboard, Color of the spring levers: red, red / red, red

ME-IO 75,2 LB/FE 10U TBUS 7035 - Mounting base housing

2202621

<https://www.phoenixcontact.com/us/products/2202621>

HSCP-SP 2,5-1U4-66/66-7035 - Printed-circuit board connector

2202570

<https://www.phoenixcontact.com/us/products/2202570>



PCB connector, nominal cross section: 2.5 mm², color: light grey, nominal current: 8 A, rated voltage (III/2): 320 V, contact surface: Tin, contact connection type: Socket, number of potentials: 4, number of rows: 2, number of positions: 4, number of connections: 4, product range: HSCP-SP 2,5-..., pitch: 5 mm, connection method: Push-in spring connection, conductor/PCB connection direction: 0 °, locking clip: - Locking clip, plug-in system: HSC 2,5, locking: without, mounting: without, type of packaging: packed in cardboard, Color of the spring levers: blue, blue / blue, blue

HSCP-SP 2,5-1U4-55/55-7035 - Printed-circuit board connector

2202571

<https://www.phoenixcontact.com/us/products/2202571>



PCB connector, nominal cross section: 2.5 mm², color: light grey, nominal current: 8 A, rated voltage (III/2): 320 V, contact surface: Tin, contact connection type: Socket, number of potentials: 4, number of rows: 2, number of positions: 4, number of connections: 4, product range: HSCP-SP 2,5-..., pitch: 5 mm, connection method: Push-in spring connection, conductor/PCB connection direction: 0 °, locking clip: - Locking clip, plug-in system: HSC 2,5, locking: without, mounting: without, type of packaging: packed in cardboard, Color of the spring levers: green, green / green, green

ME-IO 75,2 LB/FE 10U TBUS 7035 - Mounting base housing

2202621

<https://www.phoenixcontact.com/us/products/2202621>

HSCP-SP 2,5-1U4-99/99-7035 - Printed-circuit board connector

2202568

<https://www.phoenixcontact.com/us/products/2202568>



PCB connector, nominal cross section: 2.5 mm², color: light grey, nominal current: 8 A, rated voltage (III/2): 320 V, contact surface: Tin, contact connection type: Socket, number of potentials: 4, number of rows: 2, number of positions: 4, number of connections: 4, product range: HSCP-SP 2,5-..., pitch: 5 mm, connection method: Push-in spring connection, conductor/PCB connection direction: 0 °, locking clip: - Locking clip, plug-in system: HSC 2,5, locking: without, mounting: without, type of packaging: packed in cardboard, Color of the spring levers: white, white / white, white

HSCP-SP 2,5-1UTT-62/62-7035 - Printed-circuit board connector

2202606

<https://www.phoenixcontact.com/us/products/2202606>



PCB connector, nominal cross section: 2.5 mm², color: light grey, nominal current: 8 A, rated voltage (III/2): 320 V, contact surface: Tin, contact connection type: Socket, number of potentials: 2, number of rows: 2, number of positions: 2, number of connections: 4, product range: HSCP-SP 2,5-..., pitch: 5 mm, connection method: Push-in spring connection, conductor/PCB connection direction: 0 °, locking clip: - Locking clip, plug-in system: HSC 2,5, locking: without, mounting: without, type of packaging: packed in cardboard, Spring opener color: blue, red/blue, red

ME-IO 75,2 LB/FE 10U TBUS 7035 - Mounting base housing

2202621

<https://www.phoenixcontact.com/us/products/2202621>

HSCP-SP 2,5-1U4-69/69-7035 - Printed-circuit board connector

2202605

<https://www.phoenixcontact.com/us/products/2202605>



PCB connector, nominal cross section: 2.5 mm², color: light grey, nominal current: 8 A, rated voltage (III/2): 320 V, contact surface: Tin, contact connection type: Socket, number of potentials: 4, number of rows: 2, number of positions: 4, number of connections: 4, product range: HSCP-SP 2,5-..., pitch: 5 mm, connection method: Push-in spring connection, conductor/PCB connection direction: 0 °, locking clip: - Locking clip, plug-in system: HSC 2,5, locking: without, mounting: without, type of packaging: packed in cardboard, Spring opener color: blue, white/blue, white

HSCP-SP 2,5-1U4-99/62-7035 - Printed-circuit board connector

2202608

<https://www.phoenixcontact.com/us/products/2202608>



PCB connector, nominal cross section: 2.5 mm², color: light grey, nominal current: 8 A, rated voltage (III/2): 320 V, contact surface: Tin, contact connection type: Socket, number of potentials: 4, number of rows: 2, number of positions: 4, number of connections: 4, product range: HSCP-SP 2,5-..., pitch: 5 mm, connection method: Push-in spring connection, conductor/PCB connection direction: 0 °, pin layout: Linear pinning, locking clip: - Locking clip, plug-in system: HSC 2,5, locking: without, mounting: without, type of packaging: packed in cardboard, Spring opener color: white, white/blue, red

ME-IO 75,2 LB/FE 10U TBUS 7035 - Mounting base housing

2202621

<https://www.phoenixcontact.com/us/products/2202621>

HSCP-SP 2,5-1U4-29/29-7035 - Printed-circuit board connector

2203192

<https://www.phoenixcontact.com/us/products/2203192>



PCB connector, nominal cross section: 2.5 mm², color: light grey, nominal current: 8 A, rated voltage (III/2): 320 V, contact surface: Tin, contact connection type: Socket, number of potentials: 4, number of rows: 2, number of positions: 4, number of connections: 4, product range: HSCP-SP 2,5-..., pitch: 5 mm, connection method: Push-in spring connection, conductor/PCB connection direction: 0 °, locking clip: - Locking clip, plug-in system: HSC 2,5, locking: without, mounting: without, type of packaging: packed in cardboard, Spring opener color: red, white/red, white

HSCP-SP 2,5-1U4-62/59-7035 - Printed-circuit board connector

2203194

<https://www.phoenixcontact.com/us/products/2203194>



PCB connector, nominal cross section: 2.5 mm², color: light grey, nominal current: 8 A, rated voltage (III/2): 320 V, contact surface: Tin, contact connection type: Socket, number of potentials: 4, number of rows: 2, number of positions: 4, number of connections: 4, product range: HSCP-SP 2,5-..., pitch: 5 mm, connection method: Push-in spring connection, conductor/PCB connection direction: 0 °, locking clip: - Locking clip, plug-in system: HSC 2,5, locking: without, mounting: without, type of packaging: packed in cardboard, Spring opener color: blue, red/green, white

ME-IO 75,2 LB/FE 10U TBUS 7035 - Mounting base housing

2202621

<https://www.phoenixcontact.com/us/products/2202621>

HSCP-SP 2,5-1U4-65/65-7035 - Printed-circuit board connector

2203195

<https://www.phoenixcontact.com/us/products/2203195>



PCB connector, nominal cross section: 2.5 mm², color: light grey, nominal current: 8 A, rated voltage (III/2): 320 V, contact surface: Tin, contact connection type: Socket, number of potentials: 4, number of rows: 2, number of positions: 4, number of connections: 4, product range: HSCP-SP 2,5-..., pitch: 5 mm, connection method: Push-in spring connection, conductor/PCB connection direction: 0 °, locking clip: - Locking clip, plug-in system: HSC 2,5, locking: without, mounting: without, type of packaging: packed in cardboard, Spring opener color: blue, green/blue, green

HSCP-SP 1,5-1U6-7035 - Printed-circuit board connector

2202234

<https://www.phoenixcontact.com/us/products/2202234>



PCB connector, nominal cross section: 1.5 mm², color: light grey, nominal current: 8 A, rated voltage (III/2): 160 V, contact surface: Tin, contact connection type: Socket, number of potentials: 6, number of rows: 2, number of positions: 6, number of connections: 6, product range: HSCP-SP 1,5-..., pitch: 3.45 mm, connection method: Push-in spring connection, conductor/PCB connection direction: 0 °, locking clip: - Locking clip, plug-in system: HSC 1,5, locking: without, mounting: without, type of packaging: packed in cardboard, Color of the spring lever: orange

ME-IO 75,2 LB/FE 10U TBUS 7035 - Mounting base housing

2202621

<https://www.phoenixcontact.com/us/products/2202621>

HSCP-SP 1,5-1U6-629/629-7035 - Printed-circuit board connector

2202609

<https://www.phoenixcontact.com/us/products/2202609>



PCB connector, nominal cross section: 1.5 mm², color: light grey, nominal current: 8 A, rated voltage (III/2): 160 V, contact surface: Tin, contact connection type: Socket, number of potentials: 6, number of rows: 2, number of positions: 6, number of connections: 6, product range: HSCP-SP 1,5-..., pitch: 3.45 mm, connection method: Push-in spring connection, conductor/PCB connection direction: 0 °, locking clip: - Locking clip, plug-in system: HSC 1,5, locking: without, mounting: without, type of packaging: packed in cardboard, Spring opener color: blue, red, white/blue, red, white

ME B-22,5 MSTBO BU 5010 - Filler plugs

2202235

<https://www.phoenixcontact.com/us/products/2202235>



DIN rail housing, Filler plug for unoccupied terminal points (MSTBO), width: 20 mm, height: 19.05 mm, depth: 12.3 mm, color: gentian blue (5010)

ME-IO 75,2 LB/FE 10U TBUS 7035 - Mounting base housing

2202621

<https://www.phoenixcontact.com/us/products/2202621>

ME 18,8 TBUS 1,5/5-ST-3,81KMGY - DIN rail bus connectors

2201813

<https://www.phoenixcontact.com/us/products/2201813>



DIN rail connector, color: light grey, nominal current: 8 A (parallel contacts), rated voltage (III/2): 125 V, contact surface: Gold, number of positions: 5, pitch: 3.81 mm, mounting: DIN rail mounting, locking: without, mounting: without, type of packaging: packed in cardboard, Item with gold-plated contacts, bus connectors for connecting with electronics housings, 5 parallel contacts

ME-IO 18,8 FOOT CATCH KIT - Base latch

2201812

<https://www.phoenixcontact.com/us/products/2201812>

Base latch, for DIN rail mounting, with spring included



ME-IO 75,2 LB/FE 10U TBUS 7035 - Mounting base housing



2202621

<https://www.phoenixcontact.com/us/products/2202621>

HS LC-H-D2/ R2XC1-2,54 - Fiber optic

2202316

<https://www.phoenixcontact.com/us/products/2202316>



Multiple light guides with glare protection, passive, rigid, can be used for the ME, ME-MAX, ME-IO, ME PLC, and EH housing ranges (housing must be processed)

HS LC-H-D2/ R2XC2-2,54 - Fiber optic

2202317

<https://www.phoenixcontact.com/us/products/2202317>



Multiple light guides with glare protection, passive, rigid, can be used for the ME, ME-MAX, ME-IO, ME PLC, and EH housing ranges (housing must be processed)

ME-IO 75,2 LB/FE 10U TBUS 7035 - Mounting base housing



2202621

<https://www.phoenixcontact.com/us/products/2202621>

HS LC-H-D2/ R2XC5-2,54 - Fiber optic

2202318

<https://www.phoenixcontact.com/us/products/2202318>



Multiple light guides with glare protection, passive, rigid, can be used for the ME, ME-MAX, ME-IO, ME PLC, and EH housing ranges (housing must be processed)

HS LC-H-D2/ R2XC10-2,54 - Fiber optic

2202319

<https://www.phoenixcontact.com/us/products/2202319>



Multiple light guides with glare protection, passive, rigid, can be used for the ME, ME-MAX, ME-IO, ME PLC, and EH housing ranges (housing must be processed)

ME-IO 75,2 LB/FE 10U TBUS 7035 - Mounting base housing

2202621

<https://www.phoenixcontact.com/us/products/2202621>

HS LC-H-D2/ R4XC2-2,54 - Fiber optic

2202320

<https://www.phoenixcontact.com/us/products/2202320>



Multiple light guides with glare protection, passive, rigid, can be used for the ME, ME-MAX, ME-IO, ME PLC, and EH housing ranges (housing must be processed)

HS LC-H-D2/ R4XC5-2,54 - Fiber optic

2202321

<https://www.phoenixcontact.com/us/products/2202321>



Multiple light guides with glare protection, passive, rigid, can be used for the ME, ME-MAX, ME-IO, ME PLC, and EH housing ranges (housing must be processed)

ME-IO 75,2 LB/FE 10U TBUS 7035 - Mounting base housing



2202621

<https://www.phoenixcontact.com/us/products/2202621>

HS LC-H-D2/ R4XC9-2,54 - Fiber optic

2202322

<https://www.phoenixcontact.com/us/products/2202322>



Multiple light guides with glare protection, passive, rigid, can be used for the ME, ME-MAX, ME-IO, ME PLC, and EH housing ranges (housing must be processed)

HS LC-H-D2/ R4XC10-2,54 - Fiber optic

2202323

<https://www.phoenixcontact.com/us/products/2202323>



Multiple light guides with glare protection, passive, rigid, can be used for the ME, ME-MAX, ME-IO, ME PLC, and EH housing ranges (housing must be processed)

ME-IO 75,2 LB/FE 10U TBUS 7035 - Mounting base housing



2202621

<https://www.phoenixcontact.com/us/products/2202621>

HS LC-H-D2/ R2XC4-2,54 - Fiber optic

2202531

<https://www.phoenixcontact.com/us/products/2202531>



Multiple light guides with glare protection, passive, rigid, can be used for the ME, ME-MAX, ME-IO, ME PLC, and EH housing ranges (housing must be processed)

HS LC-H-D2/ R4XC4-2,54 - Fiber optic

2202532

<https://www.phoenixcontact.com/us/products/2202532>



Multiple light guides with glare protection, passive, rigid, can be used for the ME, ME-MAX, ME-IO, ME PLC, and EH housing ranges (housing must be processed)

ME-IO 75,2 LB/FE 10U TBUS 7035 - Mounting base housing

2202621

<https://www.phoenixcontact.com/us/products/2202621>

TBUS8-18,8-PPPPPPP-7035 - DIN rail bus connectors

2202396

<https://www.phoenixcontact.com/us/products/2202396>



DIN rail connector, color: light grey, nominal current: 6 A (parallel contacts), rated voltage (III/2): 32 V, number of positions: 8, pitch: 2.54 mm, mounting: DIN rail mounting, locking: without, mounting: without, type of packaging: packed in cardboard, Item with gold-plated contacts, bus connectors for connecting with electronics housings, 8 parallel contacts

TBUS8-18,8-PPPPPPS-7035 - DIN rail bus connectors

2202399

<https://www.phoenixcontact.com/us/products/2202399>



DIN rail connector, color: light grey, nominal current: 6 A, 4 A (parallel contacts) (Serial contacts), rated voltage (III/2): 32 V, number of positions: 8, pitch: 2.54 mm, mounting: DIN rail mounting, locking: without, mounting: without, type of packaging: packed in cardboard, Item with gold-plated contacts, bus connectors for connecting with electronics housings, 7 parallel contacts/1 serial contact

ME-IO 75,2 LB/FE 10U TBUS 7035 - Mounting base housing

2202621

<https://www.phoenixcontact.com/us/products/2202621>

TBUS8-18,8-PPPPSS-7035 - DIN rail bus connectors

2202403

<https://www.phoenixcontact.com/us/products/2202403>



DIN rail connector, color: light grey, nominal current: 6 A, 4 A (parallel contacts) (Serial contacts), rated voltage (III/2): 32 V, number of positions: 8, pitch: 2.54 mm, mounting: DIN rail mounting, locking: without, mounting: without, type of packaging: packed in cardboard, Item with gold-plated contacts, bus connectors for connecting with electronics housings, 6 parallel contacts/2 serial contacts

ME-IO 56,4 C 10U D2,4-TRG 7035 - Upper housing part with touch display

1209364

<https://www.phoenixcontact.com/us/products/1209364>



DIN rail housing, 10U upper part, integrated 2.4" resistive touch display, resolution: 320 x 240 Pixel(s), interface: 4-wire SPI half duplex, Housing cover, width: 56.88 mm, height: 109.8 mm, depth: 29.5 mm, color: light grey (7035)

ME-IO 75,2 LB/FE 10U TBUS 7035 - Mounting base housing



2202621

<https://www.phoenixcontact.com/us/products/2202621>

ME-IO 56,4 C 10U D2,4-TRG 7035-VPE1 - Upper housing part with touch display

1225275

<https://www.phoenixcontact.com/us/products/1225275>



DIN rail housing, 10U upper part, integrated 2.4" resistive touch display, interface: 4-wire SPI half duplex, Housing cover, width: 56.88 mm, height: 109.8 mm, depth: 29.5 mm, color: light grey (7035)

Phoenix Contact 2023 © - all rights reserved

<https://www.phoenixcontact.com>

Phoenix Contact USA
586 Fulling Mill Road
Middletown, PA 17057, United States
(+717) 944-1300
info@phoenixcon.com