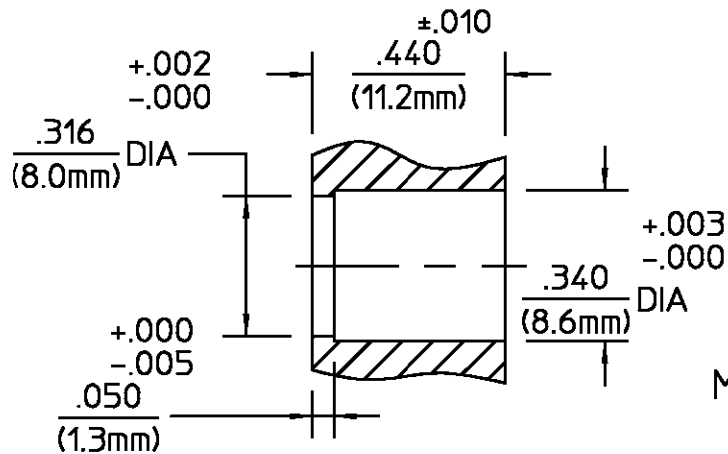
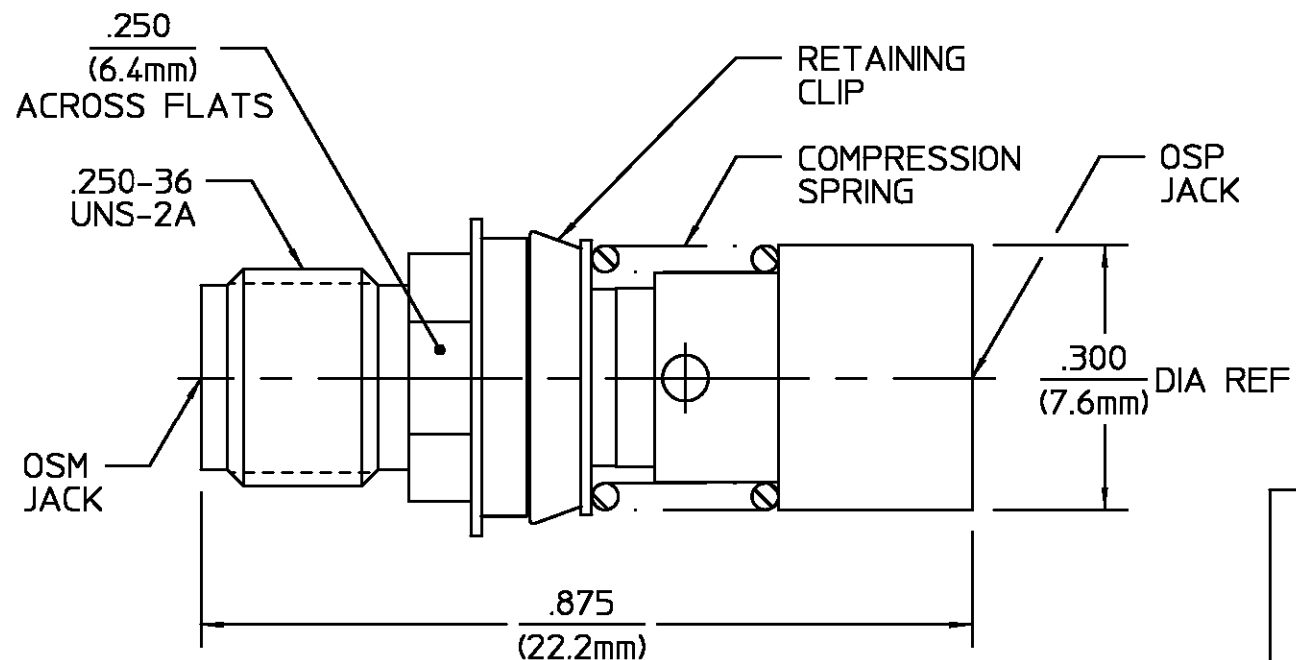



REVISIONS			
REV	DESCRIPTION	DATE	APPROVED
01	REVISED PER ECN 92-0010	1/17/93	OSM 1/20/93



RECOMMENDED MOUNTING HOLE
SCALE 2.5 : 1

COMPONENT	MATERIAL	FINISH
HOUSING BUSHING	STAINLESS STEEL PER ASTM-A484 AND ASTM-A582, TYPE 303	PASSIVATE PER ASTM-A380
SPRING	STAINLESS STEEL	PASSIVATED
DIELECTRIC	TFE FLUOROCARBON PER ASTM-D-1457	N/A
CENTER CONTACT CONTACT SLEEVE	BERYLLIUM COPPER PER ASTM B 196, ALLOY C17300, CONDITION H	GOLD PLATE PER MIL-G-45204 OVER COPPER PLATE PER MIL-C-14550
CONTACT RING	BERYLLIUM COPPER PER ASTM B 194, ALLOY C17200, CONDITION H	GOLD PLATE PER MIL-G-45204 OVER COPPER PLATE PER MIL-C-14550
RETAINING RING	BERYLLIUM COPPER PER ASTM B 194, ALLOY C17200, CONDITION H	GOLD PLATE PER MIL-C-45204

ELECTRICAL	MECHANICAL	ENVIRONMENTAL
Nominal Impedance (Ohms) <u>50</u>	Interface Dimensions <u>OSM MIL-STD-348A, Fig 310.2</u>	Temperature Rating <u>-65°C to +165°C</u>
Frequency Range (GHz) DC to <u>18</u>	<u>OSP SEE CATALOG</u>	Vibration MIL-STD-202, Method 204, Condition D.
Volt Rating (VRMS MAX) @ Sea Level <u>335</u>	Mating Characteristics (OSP & OSM):	Shock MIL-STD-202, Method 213, Condition I.
VSWR <u>1.05 + .005 F(GHz)</u>	Insertion (MAX Lbs) <u>3</u>	Thermal Shock MIL-STD-202, Method 107, Condition C.
Insertion Loss (dB MAX) <u>.06 √f(GHz)</u>	Withdrawal (MIN Oz) <u>1</u>	Moisture Resistance MIL-STD-202, Method 106
RF Leakage (dB MIN) <u>-60 @ 2-3 GHz</u>	Force to Engage:	Corrosion - MIL-STD-202, Method 101, Condition B, 5% salt spray
Corona, 70,000 Ft (VRMS MIN) <u>250</u>	OSM (In-Lbs MAX) <u>2.0</u>	
Dielectric Withstanding Voltage (VRMS MIN) @ Sea Level <u>1000</u>	OSP (Lbs MAX) <u>3.0</u>	
Contact Resistance (Milliohms MAX)	Force to Disengage:	
Center Contact <u>4.0</u>	OSM (In-Lbs MAX) <u>2.0</u>	
Outer Contact <u>2.0</u>	OSP (Lbs MAX) <u>1.5</u>	
RF High Potential @ Sea Level (VRMS MIN @ 5 MHz) <u>670</u>	Contact Retention	
I.R.(Megohms MIN) <u>5000</u>	Axial (Lbs) <u>6.0</u>	
	Radial (In-Oz) <u>N/A</u>	
	Weight (Grams) <u>TBD</u>	

UNLESS OTHERWISE SPECIFIED DIMENSIONS ARE IN INCHES TOLERANCE ON FRAC. DEC. ANGLES ± 1/64 ±.005 ± °	DRAWN BY B ST HILLAIRE	DATE 5/19/88		AMP Incorporated		
	CHECKED BY S ALLERDICE	6/2/88		140 Fourth Avenue Waltham, MA 02451-7599		
These drawings and specifications are the property of Omni Spectra Incorporated and shall not be reproduced or copied or used in whole or in part as the basis for the manufacture or sale of item(s) without written permission.	USE ASS'Y PROCEDURE		TITLE OSP FLOATING PANEL FEEDTHRU REAR MOUNT JACK TO OSM JACK ADAPTER			
	NO. AP. <u>N/A</u>		SIZE B	CODE IDENT NO. 26805	4583-2240-02	REV 01
			SCALE 5:1	SHEET 1 OF 1		

CUSTOMER DRAWING

AMP PART # 1059724-1
SHEET 1 OF 1 REV A