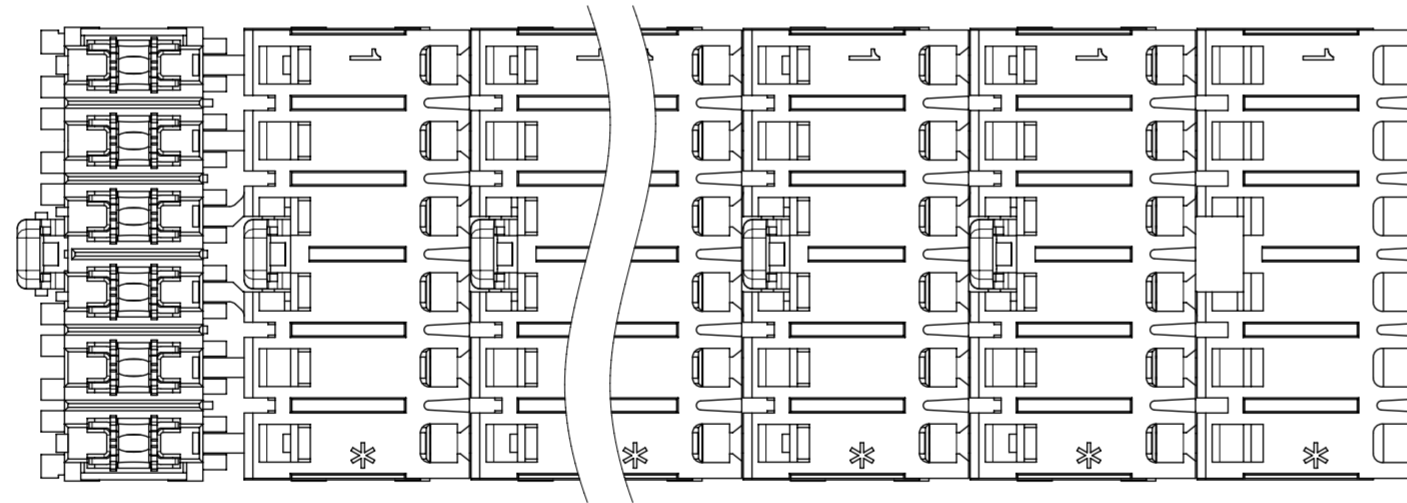
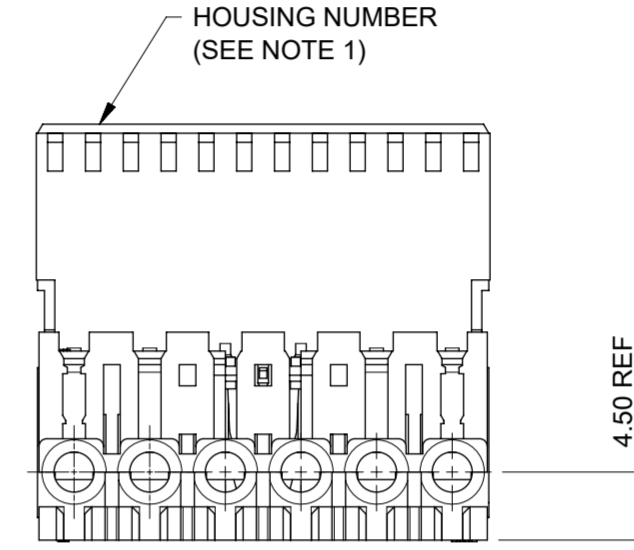
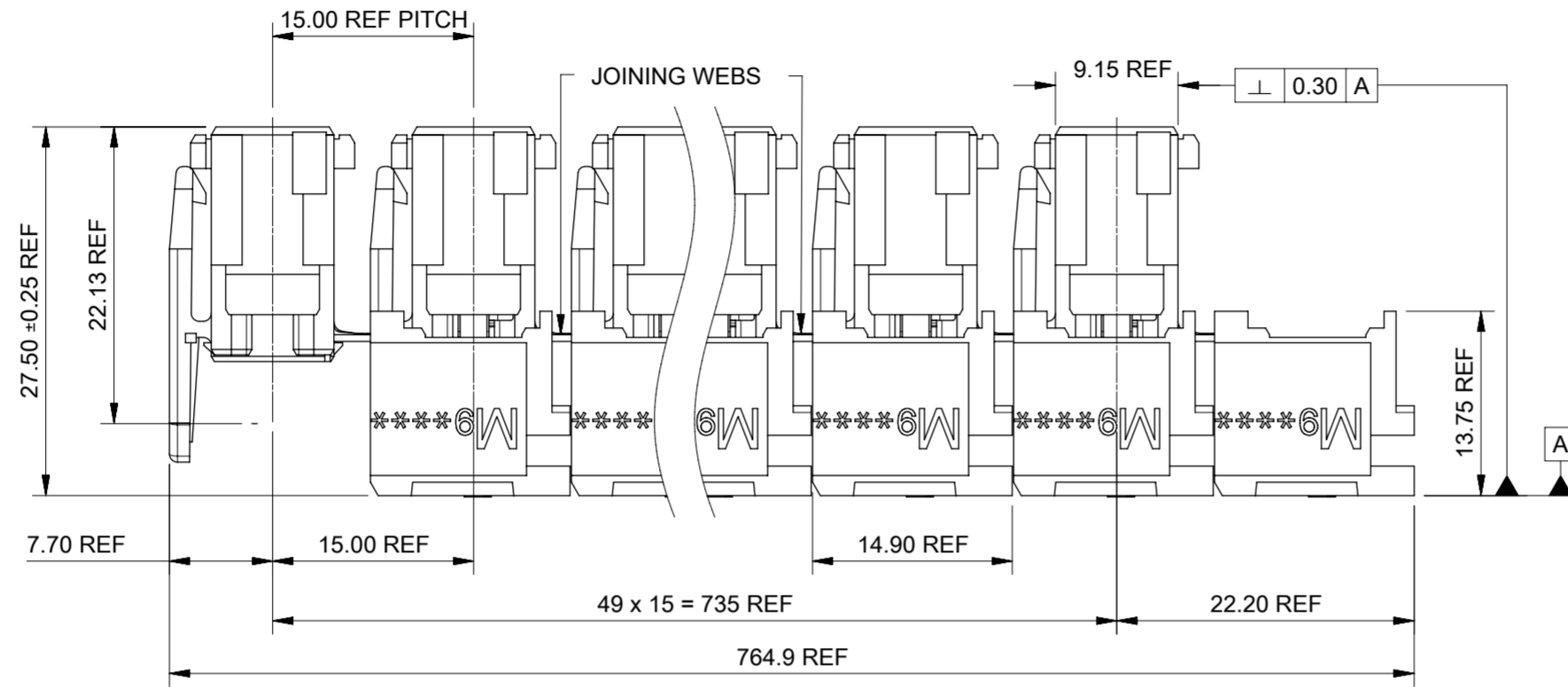
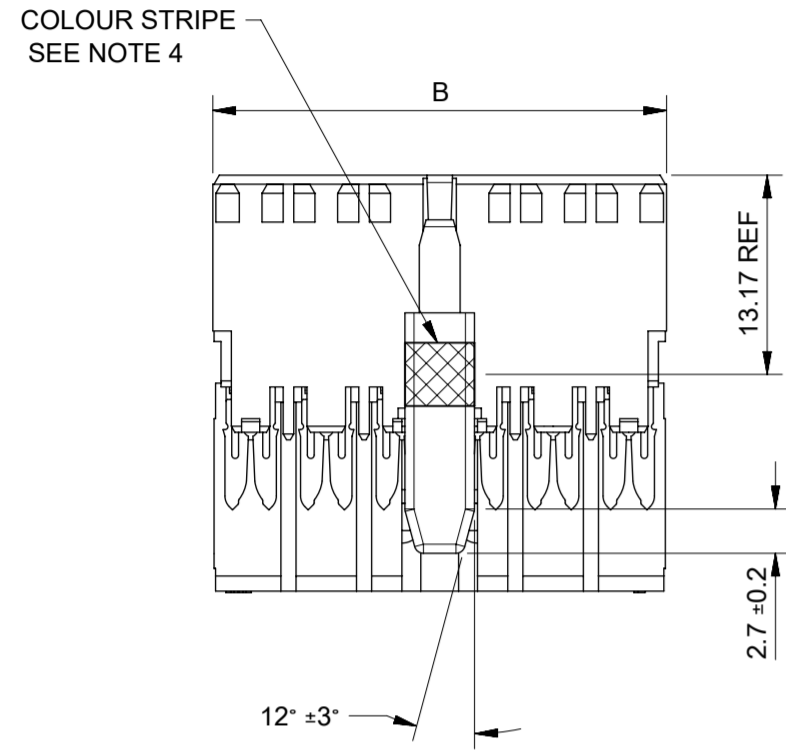
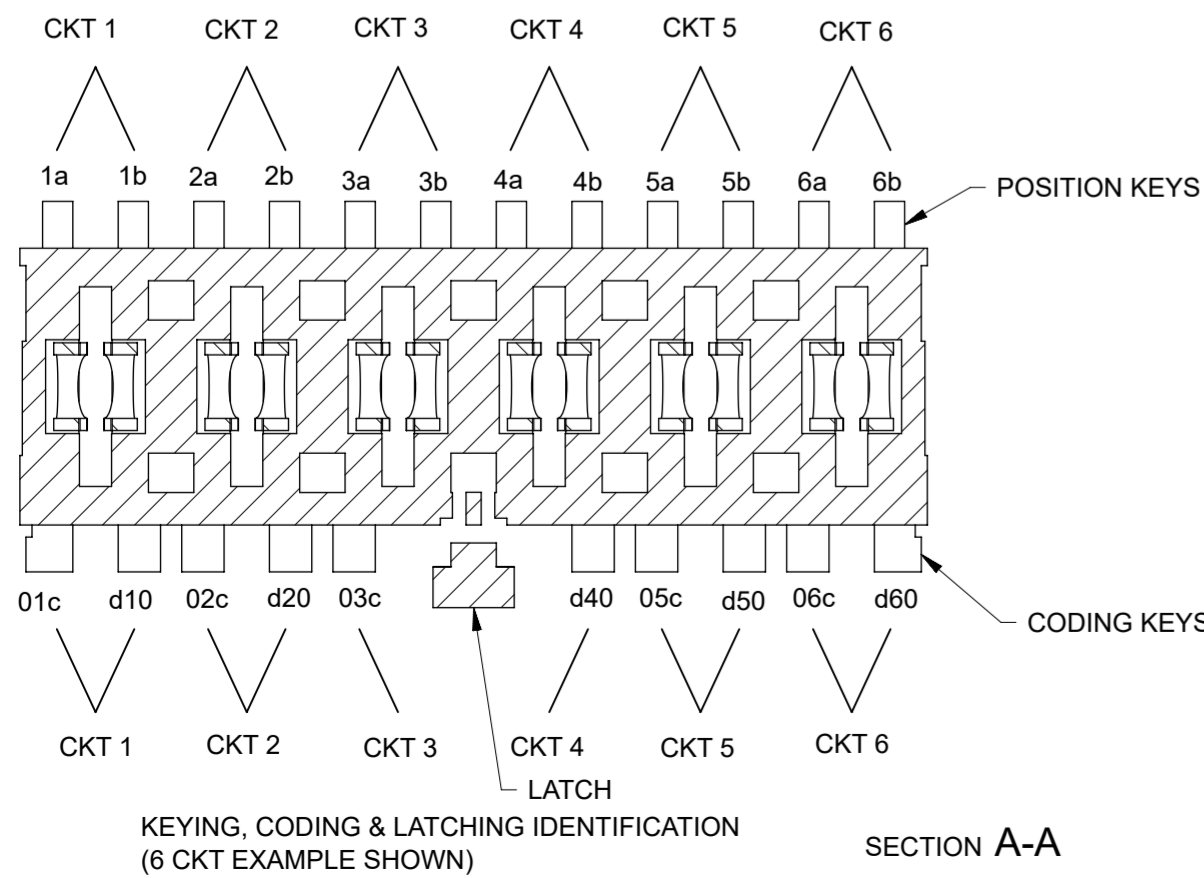


- NOTES:
- MATERIALS  
HOUSING: PA 6, UL94 V-2  
COLOUR: SEE TABLES SHEETS 2 to 9  
TERMINALS: PHOSPHOR BRONZE, 0.40/(0.016) THICK REF.  
PLATING: 5um/(200uin) MIN PURE Sn
  - PRODUCT CONFORMS TO SPECIFICATION PS-99020-0037
  - APPLICATION SPECIFICATION AS-99033-0004
  - SEE SUBSEQUENT SHEETS FOR PART NUMBERS SHOWING THE VARIOUS CODING, KEYING AND LATCHING OPTIONS.  
COLOUR STRIPE AVAILABLE IN BLACK, GREEN, RED & YELLOW
  - PACKAGING SPECIFICATION PK-90833-001



| Ckt Size | A     | B              |
|----------|-------|----------------|
| 2        | 5.00  | 9.94 +/- 0.04  |
| 3        | 10.00 | 14.93 +/- 0.05 |
| 4        | 15.00 | 19.93 +/- 0.05 |
| 5        | 20.00 | 24.90 +/- 0.08 |
| 6        | 25.00 | 29.90 +/- 0.08 |
| 7        | 30.00 | 34.90 +/- 0.08 |
| 8        | 35.00 | 39.90 +/- 0.08 |
| 9        | 40.00 | 44.90 +/- 0.08 |
| 10       | 45.00 | 49.90 +/- 0.08 |
| 11       | 50.00 | 54.90 +/- 0.08 |
| 12       | 55.00 | 59.90 +/- 0.08 |

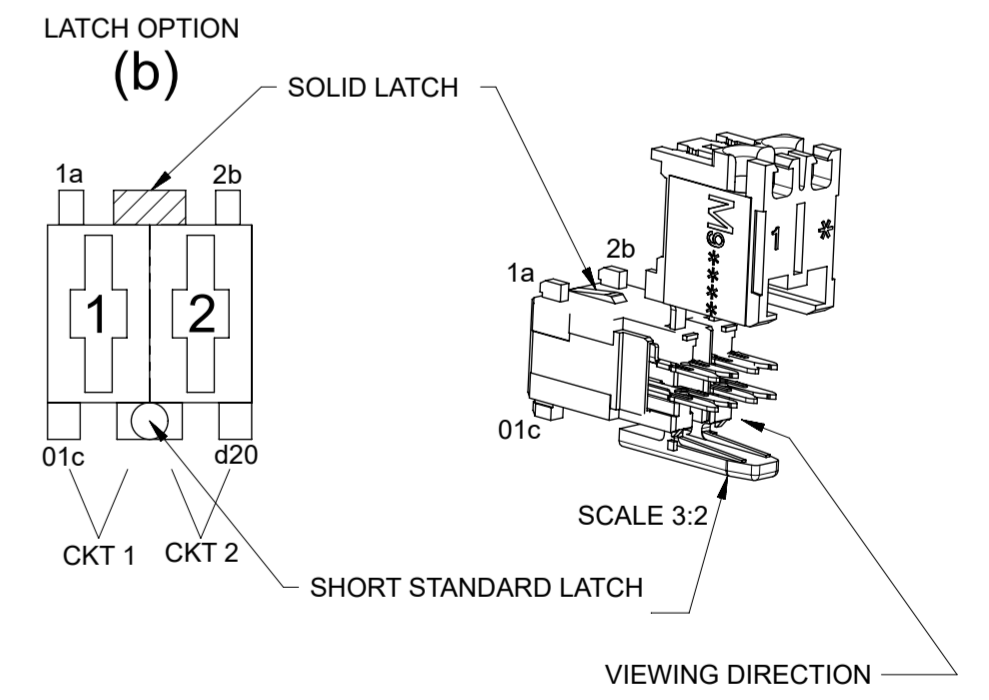
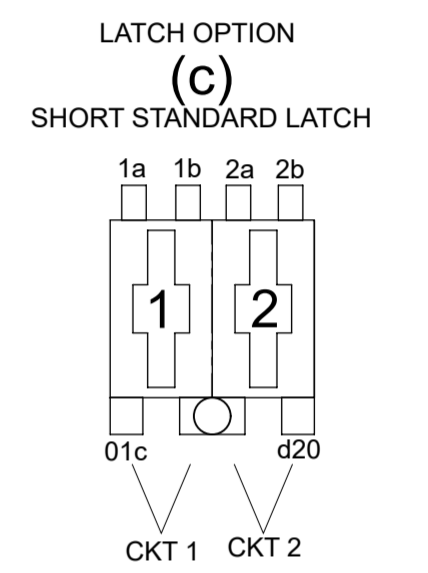
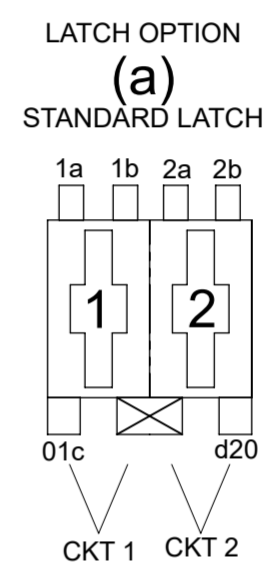
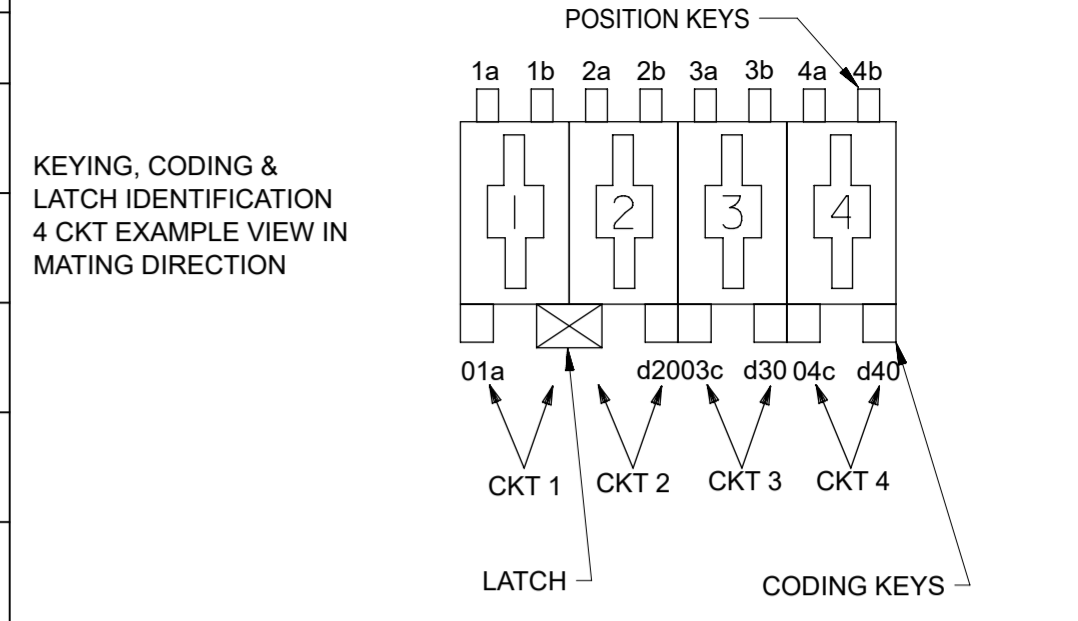


THIS DRAWING CONTAINS INFORMATION THAT IS PROPRIETARY TO MOLEX ELECTRONIC TECHNOLOGIES, LLC AND SHOULD NOT BE USED WITHOUT WRITTEN PERMISSION

|  |                        |                   |                |                          |
|--|------------------------|-------------------|----------------|--------------------------|
| DIMENSION UNITS                                      | SCALE                  | CURRENT REV DESC: |                | <b>molex</b>             |
| mm   | 2:1                    |                   |                |                          |
| GENERAL TOLERANCES (UNLESS SPECIFIED)                |                        | EC NO: 675846     |                | 5MM APPLI-MATE 10A       |
| ANGULAR TOL  | ± 0.5°                 | DRWN: MBN02       | 2021/08/30     |                          |
| 4 PLACES   | ±                      | CHK'D: MBN02      | 2021/08/30     |                          |
| 3 PLACES   | ±                      | APPR: SDEVITT     | 2021/09/28     | PRODUCT CUSTOMER DRAWING |
| 2 PLACES   | ± 0.05                 | INITIAL REVISION: |                | DOCUMENT NUMBER          |
| 1 PLACE  | ± 0.1                  | DRWN: CFISHER01   | 2016/03/02     | 917780001                |
| 0 PLACES   | ±                      | APPR: BRUTTLE     | 2016/11/01     | DOC TYPE                 |
| DRAFT WHERE APPLICABLE MUST REMAIN WITHIN DIMENSIONS | THIRD ANGLE PROJECTION | DRAWING           | SERIES         | DOC PART                 |
|  |                        | A2-SIZE           | 91778          | REVISION                 |
|  |                        | SEE CHARTS        | GENERAL MARKET | 000                      |
|  |                        |                   |                | J2                       |
|  |                        |                   |                | SHEET NUMBER             |
|  |                        |                   |                | 1 OF 11                  |

| 2 CIRCUIT      |             |         |               |             |                |               |              |     |       |
|----------------|-------------|---------|---------------|-------------|----------------|---------------|--------------|-----|-------|
| MOLEX PART NO. | HOUSING NO. | COLOUR  | POSITION KEYS | CODING KEYS | LATCH POSITION | CONFIGURATION | COLOUR STRIP | REF | RIBS  |
| 91778-0001     | 91778-9021  | NATURAL | 1a 1b 2a 2b   | 01c d20     | 1/2a           |               | NONE         | K00 | NONE  |
| 91778-0002     | 91778-9021  | NATURAL | 1b 2a         | 01c d20     | 1/2a           |               | NONE         | K01 | NONE  |
| 91778-0003     | 91778-9021  | NATURAL | 1a 2b         | 01c         | 1/2a           |               | NONE         | K02 | NONE  |
| 91778-0004     | 91778-9021  | NATURAL | 2a            | 01c d20     | 1/2a           |               | NONE         | K03 | NONE  |
| 91778-0005     | 91778-9021  | NATURAL | 1a 2b         | d20         | 1/2a           |               | NONE         | K05 | NONE  |
| 91778-0006     | 91778-9021  | NATURAL | 1b 2b         | 01c         | 1/2a           |               | NONE         | K09 | NONE  |
| 91778-0007     | 91778-9021  | NATURAL | 1a 2a         | 01c         | 1/2a           |               | NONE         | K10 | NONE  |
| 91778-0008     | 91778-9021  | NATURAL | 2b            | 01c d20     | 1/2a           |               | NONE         | K15 | NONE  |
| 91778-0009     | 91778-9021  | NATURAL | 1a 1b         | 01c d20     | 1/2a           |               | NONE         | K47 | NONE  |
| 91778-0010     | 91778-9021  | NATURAL | 2b            | NONE        | 1/2a           |               | NONE         | K11 | NONE  |
| 91778-0011     | 91778-9021  | NATURAL | 1a 1b         | 01c         | 1/2a           |               | NONE         | K04 | NONE  |
| 91778-0012     | 91778-9021  | NATURAL | 1a            | 01c d20     | 1/2a           |               | NONE         | K12 | NONE  |
| 91778-0013     | 91778-9021  | NATURAL | 1b 2a         | 01c         | 1/2a           |               | NONE         | K14 | NONE  |
| 91778-0014     | 91778-9021  | NATURAL | 1a 1b 2a 2b   | 01c         | 1/2a           |               | NONE         | K33 | NONE  |
| 91778-0016     | 91778-9021  | NATURAL | 1b            | 01c d20     | 1/2a           |               | NONE         | K16 | NONE  |
| 91778-0017     | 91778-9021  | NATURAL | 1a 2b         | NONE        | 1/2a           |               | NONE         | K06 | NONE  |
| 91778-0018     | 91778-9021  | NATURAL | 2b            | d20         | 1/2a           |               | NONE         | K38 | NONE  |
| 91778-0019     | 91778-9021  | NATURAL | 1a 2a         | 01c d20     | 1/2a           |               | NONE         | K44 | NONE  |
| 91778-0020     | 91778-9021  | NATURAL | 1b 2a 2b      | d20         | 1/2a           |               | NONE         | K07 | NONE  |
| 91778-0021     | 91778-9021  | NATURAL | 1a 1b 2a 2b   | d20         | 1/2a           |               | NONE         | K34 | NONE  |
| 91778-0022     | 91778-9021  | NATURAL | 1a 1b 2a 2b   | 01c d20     | 1/2a           |               | BLACK        | K00 | NONE  |
| 91778-0023     | 91778-9021  | NATURAL | NONE          | 01c d20     | 1/2a           |               | RED          | K54 | NONE  |
| 91778-0024     | 91778-9025  | NATURAL | 1b 2a         | 01c         | 1/2c           |               | NONE         | K33 | CKT 2 |
| 91778-0025     | 91778-9022  | BLACK   | 1a 1b 2a 2b   | d20         | 1/2a           |               | NONE         | K34 | NONE  |
| 91778-0026     | 91778-9025  | NATURAL | 1b            | 01c d20     | 1/2c           |               | NONE         | K-- | CKT 2 |
| 91778-0027     | 91778-9025  | NATURAL | 1a 1b 2a 2b   | 01c d20     | 1/2c           |               | NONE         | K-- | CKT 2 |

| 2 CIRCUIT      |             |         |               |             |                |               |              |     |      |
|----------------|-------------|---------|---------------|-------------|----------------|---------------|--------------|-----|------|
| MOLEX PART NO. | HOUSING NO. | COLOUR  | POSITION KEYS | CODING KEYS | LATCH POSITION | CONFIGURATION | COLOUR STRIP | REF | RIBS |
| 91778-0028     | 91778-9024  | NATURAL | NONE          | 01c         | 1/2b           |               | NONE         | K-- | NONE |
| 91778-0029     | 91778-9024  | NATURAL | 1a 2b         | NONE        | 1/2b           |               | NONE         | K-- | NONE |
| 91778-0030     | 91778-9021  | NATURAL | 2a            | 01c         | 1/2a           |               | NONE         | K-- | NONE |
| 91778-0032     | 91778-9021  | NATURAL | 1a            | NONE        | 1/2a           |               | NONE         | K-- | NONE |
| 91778-0033     | 91778-9021  | NATURAL | 1a 2b         | NONE        | 1/2a           |               | GREEN        | K06 | NONE |
| 91778-0034     | 91778-9021  | NATURAL | 1a 2b         | 01c d20     | 1/2a           |               | NONE         | K48 | NONE |
| 91778-0038     | 91778-9024  | NATURAL | 2b            | 01c         | 1/2b           |               | NONE         | K-- | NONE |
| 91778-0039     | 91778-9021  | NATURAL | 1b            | NONE        | 1/2a           |               | NONE         | K-- | NONE |
| 91778-0040     | 91778-9021  | NATURAL | 1b            | d20         | 1/2a           |               | RED          | K-- | NONE |
| 91778-0042     | 91778-9021  | NATURAL | NONE          | NONE        | 1/2a           |               | NONE         | K-- | NONE |
| 91778-0043     | 91778-9024  | NATURAL | 2b            | NONE        | 1/2b           |               | NONE         | K-- | NONE |
| 91778-0044     | 91778-9021  | NATURAL | 1a 1b 2a 2b   | NONE        | 1/2a           |               | NONE         | K-- | NONE |
| 91778-0045     | 91778-9021  | NATURAL | 1b 2b         | 01c         | 1/2a           |               | BLACK        | K09 | NONE |
| 91778-0046     | 91778-9021  | NATURAL | 2b            | d20         | 1/2a           |               | RED          | K38 | NONE |
| 91778-0047     | 91778-9021  | NATURAL | 1a 1b         | d20         | 1/2a           |               | NONE         | K13 | NONE |
| 91778-0048     | 91778-9021  | NATURAL | NONE          | 01c d20     | 1/2a           |               | NONE         | K54 | NONE |
| 91778-0049     | 91778-9021  | NATURAL | 1b            | d20         | 1/2a           |               | NONE         | K-- | NONE |
| 91778-0050     | 91778-9021  | NATURAL | 1a 1b 2b      | NONE        | 1/2a           |               | RED          | K43 | NONE |
| 91778-0051     | 91778-9021  | NATURAL | 1a 2a         | 01c         | 1/2a           |               | RED          | K10 | NONE |
| 91778-0052     | 91778-9021  | NATURAL | 2a            | 01c d20     | 1/2a           |               | RED          | K03 | NONE |



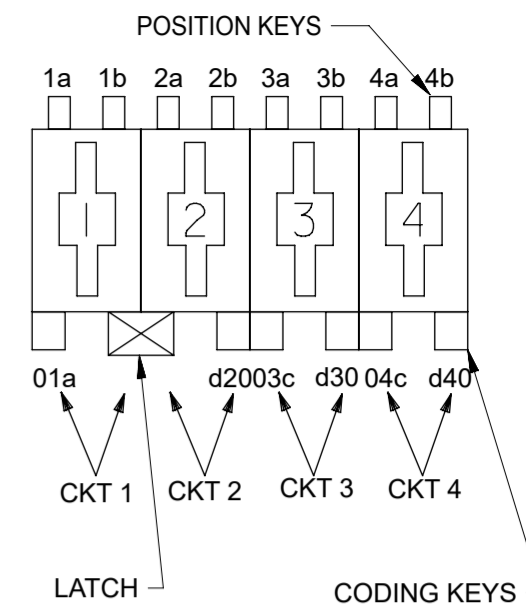
THIS DRAWING CONTAINS INFORMATION THAT IS PROPRIETARY TO MOLEX ELECTRONIC TECHNOLOGIES, LLC AND SHOULD NOT BE USED WITHOUT WRITTEN PERMISSION

|  |                        |                   |            |                          |                |              |
|--|------------------------|-------------------|------------|--------------------------|----------------|--------------|
| DIMENSION UNITS                                      | SCALE                  | CURRENT REV DESC: |            | <b>molex</b>             |                |              |
| mm   | 1:1                    |                   |            |                          |                |              |
| GENERAL TOLERANCES (UNLESS SPECIFIED)                |                        | EC NO: 675846     |            | 5MM APPLI-MATE 10A       |                |              |
| ANGULAR TOL  | ± 0.5°                 | DRWN: MBN02       | 2021/08/30 |                          |                |              |
| 4 PLACES   | ±                      | CHK'D: MBN02      | 2021/08/30 |                          |                |              |
| 3 PLACES   | ±                      | APPR: SDEVITT     | 2021/09/28 | PRODUCT CUSTOMER DRAWING |                |              |
| 2 PLACES   | ± 0.05                 | INITIAL REVISION: |            | DOCUMENT NUMBER          | DOC TYPE       | DOC PART     |
| 1 PLACE  | ± 0.1                  | DRWN: CFISHER01   | 2016/03/02 | 917780001                | PSD            | 000          |
| 0 PLACES   | ±                      | APPR: BRUTTLE     | 2016/11/01 |                          |                | J2           |
| DRAFT WHERE APPLICABLE MUST REMAIN WITHIN DIMENSIONS | THIRD ANGLE PROJECTION | DRAWING           | SERIES     | MATERIAL NUMBER          | CUSTOMER       | SHEET NUMBER |
|  |                        | A2-SIZE           | 91778      | SEE CHARTS               | GENERAL MARKET | 2 OF 11      |

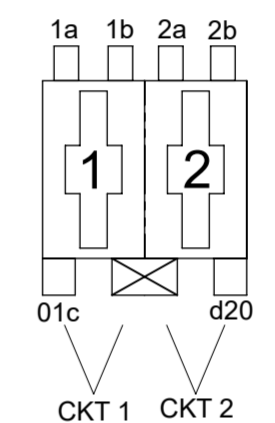
# 2 CIRCUIT

| MOLEX PART NO. | HOUSING NO. | COLOUR  | POSITION KEYS | CODING KEYS | LATCH POSITION | CONFIGURATION | COLOUR STRIP | REF | RIBS |
|----------------|-------------|---------|---------------|-------------|----------------|---------------|--------------|-----|------|
| 91778-0054     | 91778-9024  | NATURAL | NONE          | NONE        | 1/2b           |               | NONE         | K-- | NONE |
| 91778-0055     | 91778-9024  | NATURAL | 1a 2b         | 01c d20     | 1/2b           |               | NONE         | K-- | NONE |
| 91778-0056     | 91778-9021  | NATURAL | 1b 2b         | 01c d20     | 1/2a           |               | NONE         | K-- | NONE |
| 91778-0057     | 91778-9021  | NATURAL | 2a 2b         | NONE        | 1/2a           |               | NONE         | K-- | NONE |
| 91778-0060     | 91778-9024  | NATURAL | 2b            | 01c d20     | 1/2b           |               | NONE         | K-- | NONE |
| 91778-0061     | 91778-9021  | NATURAL | 1a 1b 2b      | d20         | 1/2a           |               | NONE         | K-- | NONE |

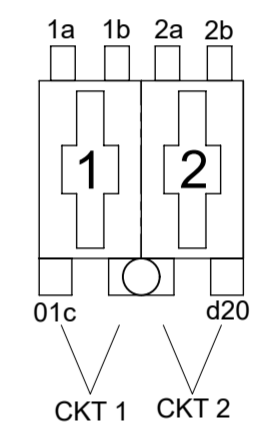
KEYING, CODING & LATCH IDENTIFICATION  
4 CKT EXAMPLE VIEW IN MATING DIRECTION



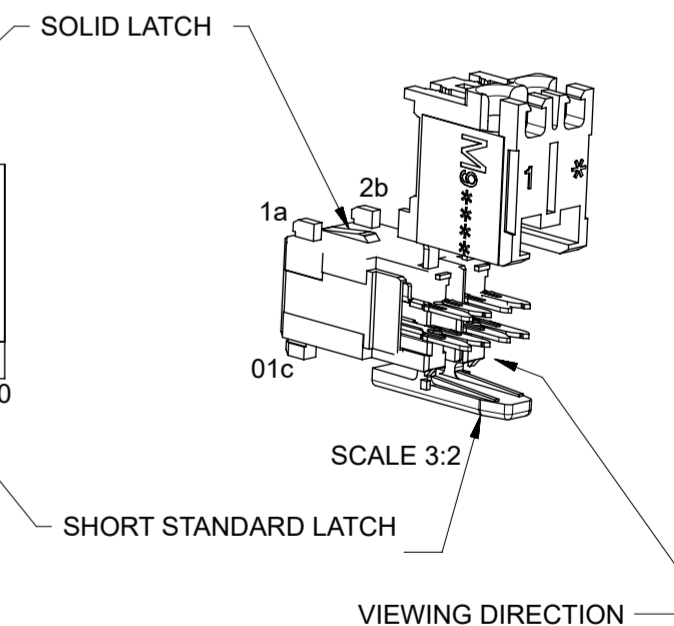
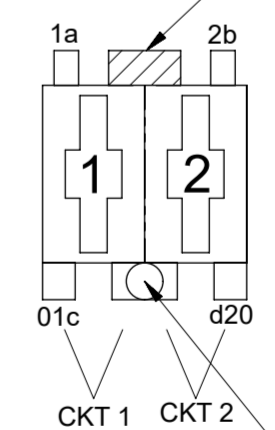
LATCH OPTION (a) STANDARD LATCH



LATCH OPTION (c) SHORT STANDARD LATCH



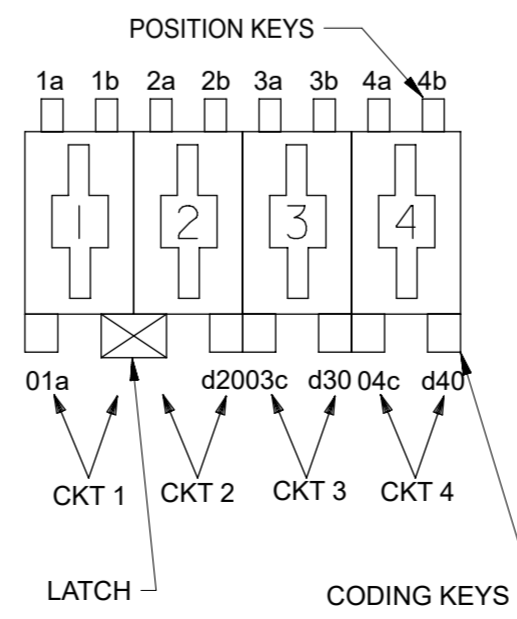
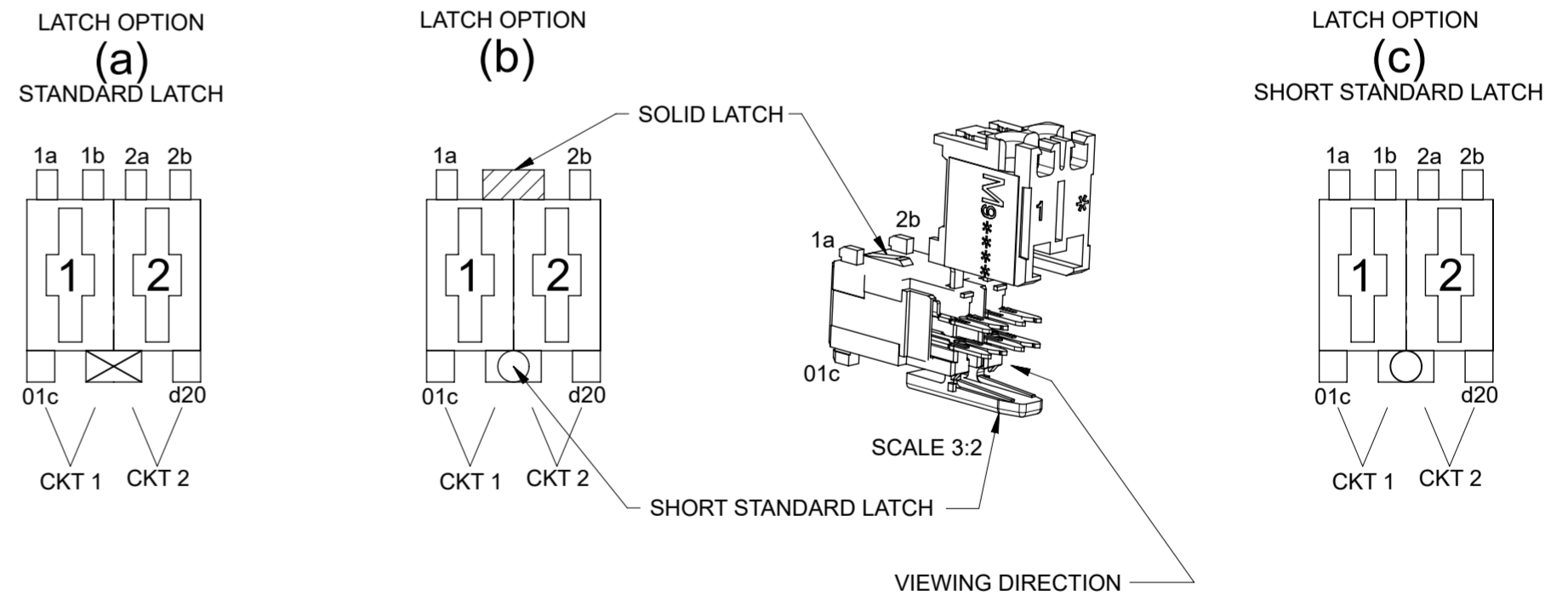
LATCH OPTION (b)



|   |  |                        |  |                   |  |                     |  |                                |  |              |  |
|---|--|------------------------|--|-------------------|--|---------------------|--|--------------------------------|--|--------------|--|
| THIS DRAWING CONTAINS INFORMATION THAT IS PROPRIETARY TO MOLEX ELECTRONIC TECHNOLOGIES, LLC AND SHOULD NOT BE USED WITHOUT WRITTEN PERMISSION |  |                        |  |                   |  |                     |  |                                |  |              |  |
| DIMENSION UNITS<br><b>mm</b>  |  | SCALE<br><b>1:1</b>    |  | CURRENT REV DESC: |  |                     |  |                                |  | <b>molex</b> |  |
| GENERAL TOLERANCES (UNLESS SPECIFIED)   |  |                        |  | EC NO: 675846     |  |                     |  |                                |  |              |  |
| ANGULAR TOL ± 0.5°  |  | 4 PLACES ±             |  | DRWN: MBN02       |  | 2021/08/30          |  | 5MM APPLI-MATE 10A             |  |              |  |
| 3 PLACES ±  |  | 2 PLACES ± 0.05        |  | CHK'D: MBN02      |  | 2021/08/30          |  | PRODUCT CUSTOMER DRAWING       |  |              |  |
| 1 PLACE ± 0.1   |  | 0 PLACES ±             |  | APPR: SDEVITT     |  | 2021/09/28          |  | DOCUMENT NUMBER                |  |              |  |
| DRAFT WHERE APPLICABLE MUST REMAIN WITHIN DIMENSIONS  |  | THIRD ANGLE PROJECTION |  | DRAWING           |  | SERIES              |  | MATERIAL NUMBER                |  |              |  |
|   |  |                        |  | A2-SIZE           |  | 91778               |  | 917780001                      |  |              |  |
|   |  |                        |  | SEE CHARTS        |  | GENERAL MARKET      |  | DOC TYPE   DOC PART   REVISION |  |              |  |
|   |  |                        |  |                   |  |                     |  | PSD   000   J2                 |  |              |  |
| DOCUMENT STATUS   |  | P1                     |  | RELEASE DATE      |  | 2021/09/28 05:25:32 |  | SHEET NUMBER                   |  |              |  |
|   |  |                        |  |                   |  |                     |  | 3 OF 11                        |  |              |  |

| 3 CIRCUIT      |             |         |                   |                 |                |               |              |      |      |
|----------------|-------------|---------|-------------------|-----------------|----------------|---------------|--------------|------|------|
| MOLEX PART NO. | HOUSING NO. | COLOUR  | POSITION KEYS     | CODING KEYS     | LATCH POSITION | CONFIGURATION | COLOUR STRIP | REF  | RIBS |
| 91778-0101     | 91778-9031  | NATURAL | 1a 1b 2a 2b 3a 3b | 01c d20 03c d30 | 1/2a           |               | NONE         | K00  | NONE |
| 91778-0102     | 91778-9032  | NATURAL | 1a 1b 2a 2b 3a 3b | 01c d20 02c d30 | 2/3a           |               | NONE         | K90  | NONE |
| 91778-0103     | 91778-9031  | NATURAL | 1b                | 01c d20         | 1/2a           |               | NONE         | K01  | NONE |
| 91778-0104     | 91778-9031  | NATURAL | 1a                | 03c             | 1/2a           |               | NONE         | K04  | NONE |
| 91778-0105     | 91778-9031  | NATURAL | 1a 1b             | d30             | 1/2a           |               | NONE         | K05  | NONE |
| 91778-0106     | 91778-9031  | NATURAL | 1a 2a 2b          | d30             | 1/2a           |               | NONE         | K33  | NONE |
| 91778-0107     | 91778-9032  | NATURAL | 1a 1b 2a 2b 3a 3b | d10 d30         | 2/3a           |               | NONE         | K38  | NONE |
| 91778-0108     | 91778-9031  | NATURAL | 1a 3a             | 01c             | 1/2a           |               | NONE         | K07  | NONE |
| 91778-0109     | 91778-9031  | NATURAL | 1b 3a             | 01c             | 1/2a           |               | NONE         | K03  | NONE |
| 91778-0110     | 91778-9032  | NATURAL | 2a                | 02c d30         | 2/3a           |               | NONE         | K57  | NONE |
| 91778-0111     | 91778-9031  | NATURAL | 2b                | d20             | 1/2a           |               | NONE         | K08  | NONE |
| 91778-0112     | 91778-9031  | NATURAL | 1b                | d20 03c         | 1/2a           |               | NONE         | K09  | NONE |
| 91778-0113     | 91778-9032  | NATURAL | 1a 1b 2a 3a       | 01c 02c d30     | 2/3a           |               | NONE         | K12  | NONE |
| 91778-0114     | 91778-9032  | NATURAL | 1a 2a             | d30             | 2/3a           |               | NONE         | K44  | NONE |
| 91778-0115     | 91778-9032  | NATURAL | 2a                | d10 d30         | 2/3a           |               | NONE         | K37  | NONE |
| 91778-0116     | 91778-9031  | NATURAL | 3b                | 01c d30         | 1/2a           |               | NONE         | K02  | NONE |
| 91778-0117     | 91778-9032  | NATURAL | 2b 3b             | d10 02c         | 2/3a           |               | NONE         | K--  | NONE |
| 91778-0118     | 91778-9032  | NATURAL | 2a                | d10 02c d30     | 2/3a           |               | NONE         | K--  | NONE |
| 91778-0119     | 91778-9031  | NATURAL | 1a                | 01c d20 03c     | 1/2a           |               | NONE         | K192 | NONE |
| 91778-0120     | 91778-9031  | NATURAL | 1b 2a             | 01c d20         | 1/2a           |               | NONE         | K--  | NONE |
| 91778-0121     | 91778-9032  | NATURAL | 2a                | 01c d10 02c d30 | 2/3a           |               | BLACK        | K--  | NONE |

| 3 CIRCUIT      |             |         |                   |             |                |               |              |     |       |
|----------------|-------------|---------|-------------------|-------------|----------------|---------------|--------------|-----|-------|
| MOLEX PART NO. | HOUSING NO. | COLOUR  | POSITION KEYS     | CODING KEYS | LATCH POSITION | CONFIGURATION | COLOUR STRIP | REF | RIBS  |
| 91778-0122     | 91778-9033  | NATURAL | 1a 2b 3a 3b       | d20         | 1/2 c          |               | NONE         | K-- | CKT 2 |
| 91778-0123     | 91778-9031  | NATURAL | 1a                | NONE        | 1/2a           |               | NONE         | K-- | NONE  |
| 91778-0124     | 91778-9035  | BLACK   | 1a 1b 2a 2b 3a 3b | d10         | 2/3a           |               | NONE         | K41 | NONE  |
| 91778-0125     | 91778-9031  | NATURAL | 1a 1b 2a 2b 3a 3b | d20         | 1/2a           |               | NONE         | K40 | NONE  |
| 91778-0126     | 91778-9036  | NATURAL | 1a 2b 3a 3b       | d20         | 1/2 b          |               | NONE         | K-- | NONE  |
| 91778-0127     | 91778-9032  | NATURAL | 2a 2b 3a 3b       | 01c d30     | 2/3a           |               | NONE         | K-- | NONE  |
| 91778-0128     | 91778-9031  | NATURAL | 2a 2b             | 01c d20     | 1/2a           |               | NONE         | K-- | NONE  |
| 91778-0129     | 91778-9032  | NATURAL | 2a                | d10         | 2/3a           |               | NONE         | K-- | NONE  |
| 91778-0130     | 91778-9031  | NATURAL | NONE              | 01c d30     | 1/2a           |               | NONE         | K-- | NONE  |
| 91778-0131     | 91778-9032  | NATURAL | 2b 3b             | d10 02c     | 2/3a           |               | GREEN        | K-- | NONE  |
| 91778-0132     | 91778-9031  | NATURAL | 2b                | d20         | 1/2a           |               | RED          | K-- | NONE  |
| 91778-0133     | 91778-9031  | NATURAL | 1a 1b 2a 2b       | d30         | 1/2a           |               | NONE         | K-- | NONE  |



KEYING, CODING & LATCH IDENTIFICATION  
4 CKT EXAMPLE VIEW IN MATING DIRECTION

THIS DRAWING CONTAINS INFORMATION THAT IS PROPRIETARY TO MOLEX ELECTRONIC TECHNOLOGIES, LLC AND SHOULD NOT BE USED WITHOUT WRITTEN PERMISSION

|  |        |                        |                      |
|--|--------|------------------------|----------------------|
| DIMENSION UNITS                                      | SCALE  | CURRENT REV DESC:      |                      |
| mm   | 1:1    |                        |                      |
| GENERAL TOLERANCES (UNLESS SPECIFIED)                |        |                        |                      |
| ANGULAR TOL  | ± 0.5° | EC NO:                 | 675846               |
| 4 PLACES   | ±      | DRWN:                  | MBN02 2021/08/30     |
| 3 PLACES   | ±      | CHK'D:                 | MBN02 2021/08/30     |
| 2 PLACES   | ± 0.05 | APPR:                  | SDEVITT 2021/09/28   |
| 1 PLACE  | ± 0.1  | INITIAL REVISION:      |                      |
| 0 PLACES   | ±      | DRWN:                  | CFISHER01 2016/03/02 |
|  |        | APPR:                  | BRUTTLE 2016/11/01   |
| DRAFT WHERE APPLICABLE MUST REMAIN WITHIN DIMENSIONS |        | THIRD ANGLE PROJECTION | DRAWING              |
|  |        |                        | A2-SIZE              |
|  |        | SERIES                 | 91778                |
| MATERIAL NUMBER                                      |        | CUSTOMER               | SHEET NUMBER         |
| SEE CHARTS   |        | GENERAL MARKET         | 4 OF 11              |

DOCUMENT NUMBER: 917780001

DOC TYPE: PSD

DOC PART: 000

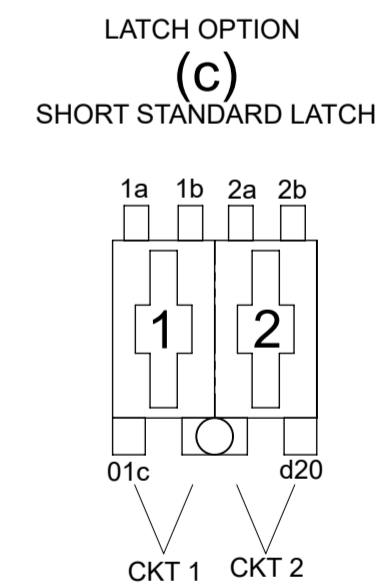
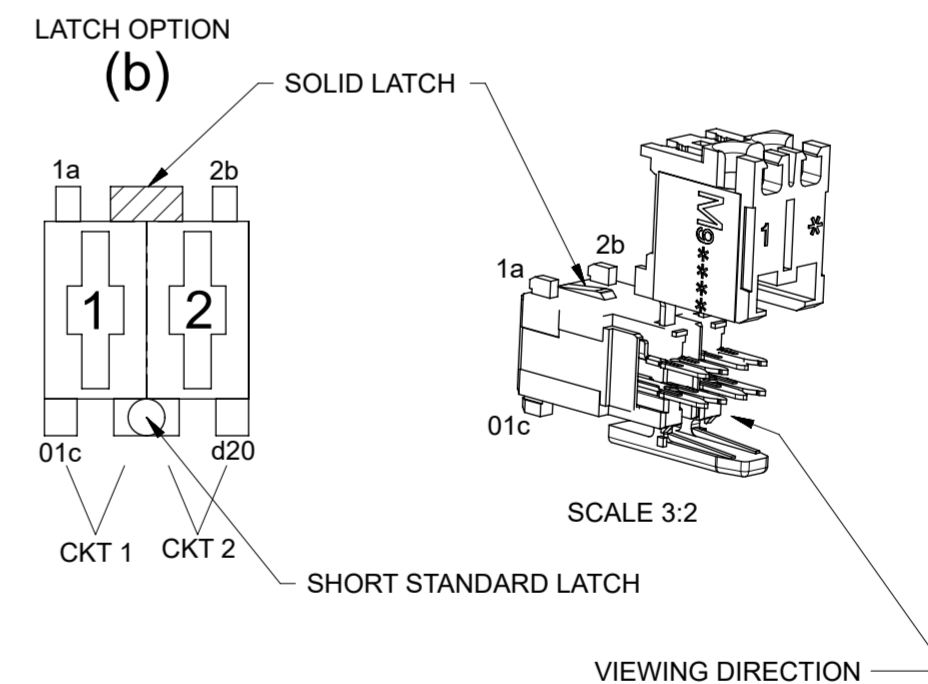
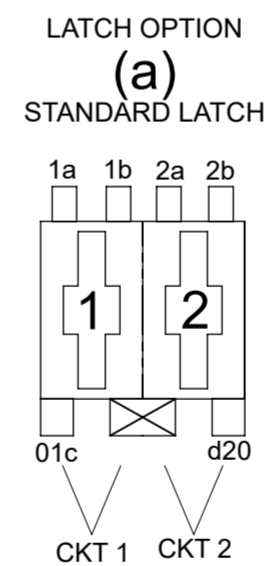
REVISION: J2

PRODUCT CUSTOMER DRAWING

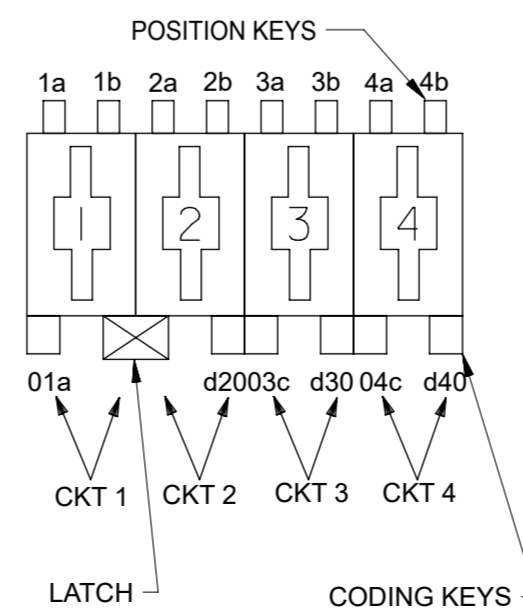
5MM APPLI-MATE 10A

| 3 CIRCUIT      |             |         |                   |                 |                |               |              |      |      |
|----------------|-------------|---------|-------------------|-----------------|----------------|---------------|--------------|------|------|
| MOLEX PART NO. | HOUSING NO. | COLOUR  | POSITION KEYS     | CODING KEYS     | LATCH POSITION | CONFIGURATION | COLOUR STRIP | REF  | RIBS |
| 91778-0135     | 91778-9032  | NATURAL | NONE              | d10 02c d30     | 2/3a           |               | NONE         | K--  | NONE |
| 91778-0136     | 91778-9032  | NATURAL | 1a 2a             | d10             | 2/3a           |               | NONE         | K42  | NONE |
| 91778-0137     | 91778-9032  | NATURAL | 1a 2b 3a 3b       | 01c d30         | 2/3a           |               | NONE         | K--  | NONE |
| 91778-0138     | 91778-9031  | NATURAL | 2b                | 01c d20 03c d30 | 1/2a           |               | NONE         | K--  | NONE |
| 91778-0139     | 91778-9031  | NATURAL | 3b                | 01c 03c         | 1/2a           |               | NONE         | K--  | NONE |
| 91778-0142     | 91778-9031  | NATURAL | 1a 3b             | 01c             | 1/2a           |               | NONE         | K06  | NONE |
| 91778-0143     | 91778-9037  | NATURAL | 1a 1b 2a 3b       | d10 d30         | 2/3b           |               | NONE         | K--  | NONE |
| 91778-0144     | 91778-9032  | NATURAL | 1a 2b             | NONE            | 2/3a           |               | NONE         | K--  | NONE |
| 91778-0145     | 91778-9032  | NATURAL | 3b                | 01c d30         | 2/3a           |               | NONE         | K--  | NONE |
| 91778-0146     | 91778-9032  | NATURAL | 1a 1b 2a 2b 3a 3b | 01c d30         | 2/3a           |               | NONE         | K--  | NONE |
| 91778-0147     | 91778-9031  | NATURAL | 1a 1b             | d20             | 1/2a           |               | NONE         | K--  | NONE |
| 91778-0149     | 91778-9031  | NATURAL | 1a 3a             | 03c             | 1/2a           |               | NONE         | K98  | NONE |
| 91778-0150     | 91778-9032  | NATURAL | 1a 3b             | d10             | 2/3a           |               | NONE         | K203 | NONE |
| 91778-0151     | 91778-9031  | NATURAL | 1b 2a 2b 3a       | 01c             | 1/2a           |               | NONE         | K--  | NONE |
| 91778-0153     | 91778-9031  | NATURAL | 1a                | 01c d20 03c     | 1/2a           |               | NONE         | K192 | NONE |
| 91778-0154     | 91778-9032  | NATURAL | 1b 2a 2b 3b       | NONE            | 2/3a           |               | RED          | K124 | NONE |
| 91778-0155     | 91778-9032  | NATURAL | 2b 3b             | d10             | 2/3a           |               | RED          | K84  | NONE |
| 91778-0156     | 91778-9031  | NATURAL | 2a                | 01c d30         | 1/2a           |               | NONE         | K162 | NONE |
| 91778-0157     | 91778-9031  | NATURAL | 1a 1b 2a 2b       | 01c d20 03c     | 1/2a           |               | NONE         | K--  | NONE |

| 3 CIRCUIT      |             |         |                   |             |                |               |              |     |      |
|----------------|-------------|---------|-------------------|-------------|----------------|---------------|--------------|-----|------|
| MOLEX PART NO. | HOUSING NO. | COLOUR  | POSITION KEYS     | CODING KEYS | LATCH POSITION | CONFIGURATION | COLOUR STRIP | REF | RIBS |
| 91778-0158     | 91778-9037  | NATURAL | 2a 3b             | NONE        | 2/3b           |               | NONE         | K-- | NONE |
| 91778-0159     | 91778-9037  | NATURAL | NONE              | NONE        | 2/3b           |               | NONE         | K-- | NONE |
| 91778-0160     | 91778-9037  | NATURAL | 1a 3b             | 01c         | 2/3b           |               | NONE         | K-- | NONE |
| 91778-0161     | 91778-9037  | NATURAL | 1b 2a 3b          | 02c d30     | 2/3b           |               | NONE         | K-- | NONE |
| 91778-0162     | 91778-9032  | NATURAL | 2a 2b             | NONE        | 2/3a           |               | NONE         | K-- | NONE |
| 91778-0163     | 91778-9032  | NATURAL | 1a 3b             | NONE        | 2/3a           |               | NONE         | K-- | NONE |
| 91778-0164     | 91778-9031  | NATURAL | 1a                | d20         | 1/2a           |               | NONE         | K63 | NONE |
| 91778-0165     | 91778-9031  | NATURAL | 1a 1b 2a 2b 3a 3b | 01c d20 03c | 1/2a           |               | BLUE         | K94 | NONE |
| 91778-0166     | 91778-9038  | NATURAL | 3b                | 01c 03c     | 1/2c           |               | NONE         | K-- | NONE |



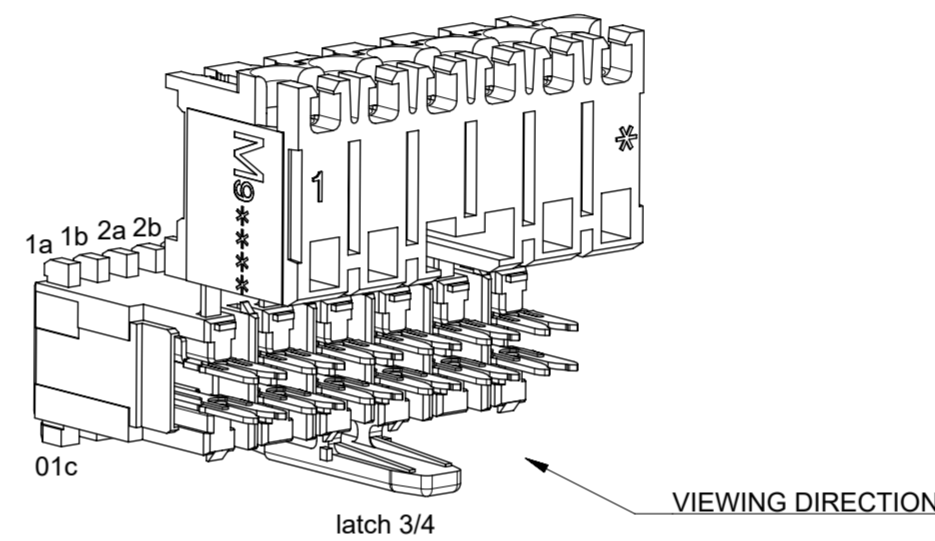
KEYING, CODING & LATCH IDENTIFICATION  
4 CKT EXAMPLE VIEW IN MATING DIRECTION



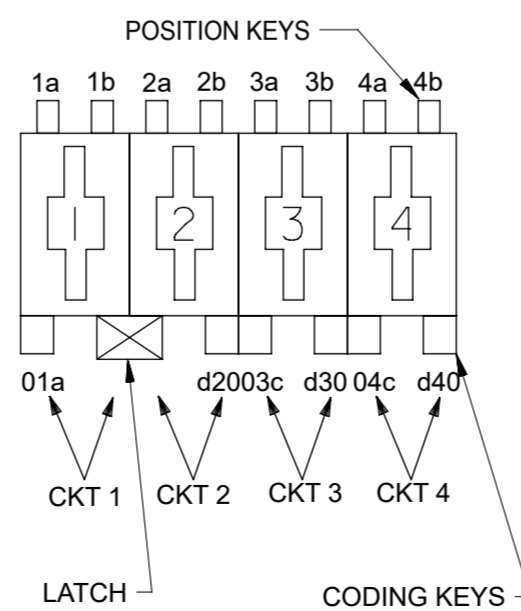
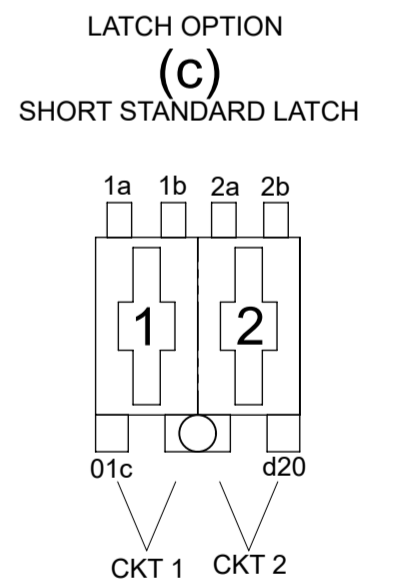
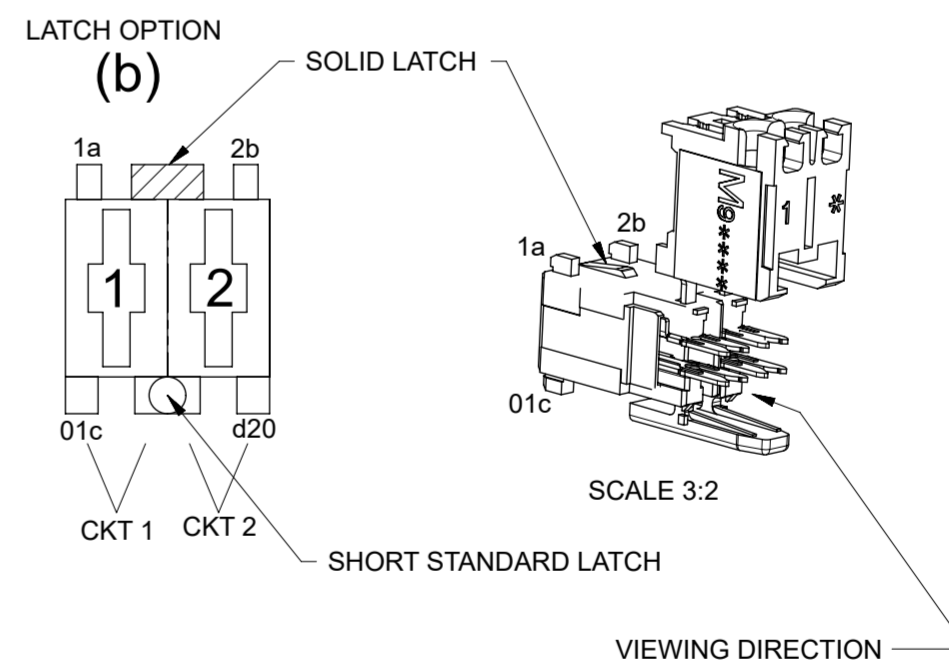
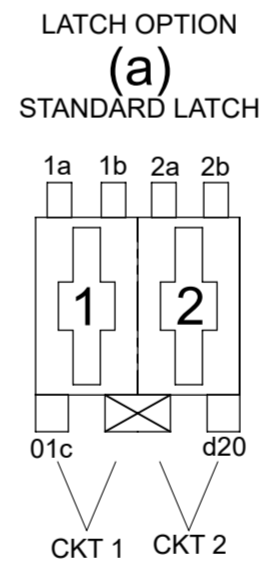
|   |  |                        |  |                   |  |            |  |                 |  |
|---|--|------------------------|--|-------------------|--|------------|--|-----------------|--|
| THIS DRAWING CONTAINS INFORMATION THAT IS PROPRIETARY TO MOLEX ELECTRONIC TECHNOLOGIES, LLC AND SHOULD NOT BE USED WITHOUT WRITTEN PERMISSION |  |                        |  |                   |  |            |  |                 |  |
| DIMENSION UNITS   |  | SCALE                  |  | CURRENT REV DESC: |  |            |  |                 |  |
| mm  |  | 1:1                    |  |                   |  |            |  |                 |  |
| GENERAL TOLERANCES (UNLESS SPECIFIED)   |  |                        |  | EC NO: 675846     |  |            |  |                 |  |
| ANGULAR TOL ± 0.5°  |  |                        |  | DRWN: MBN02       |  | 2021/08/30 |  |                 |  |
| 4 PLACES ±  |  |                        |  | CHK'D: MBN02      |  | 2021/08/30 |  |                 |  |
| 3 PLACES ±  |  |                        |  | APPR: SDEVITT     |  | 2021/09/28 |  |                 |  |
| 2 PLACES ± 0.05   |  |                        |  | INITIAL REVISION: |  |            |  |                 |  |
| 1 PLACE ± 0.1   |  |                        |  | DRWN: CFISHER01   |  | 2016/03/02 |  |                 |  |
| 0 PLACES ±  |  |                        |  | APPR: BRUTTLE     |  | 2016/11/01 |  |                 |  |
| DRAFT WHERE APPLICABLE MUST REMAIN WITHIN DIMENSIONS  |  | THIRD ANGLE PROJECTION |  | DRAWING           |  | SERIES     |  | MATERIAL NUMBER |  |
|   |  |                        |  | A2-SIZE           |  | 91778      |  | SEE CHARTS      |  |
| CUSTOMER  |  |                        |  | DOCUMENT NUMBER   |  | DOC TYPE   |  | DOC PART        |  |
| GENERAL MARKET  |  |                        |  | 917780001         |  | PSD        |  | 000 J2          |  |
| SHEET NUMBER  |  |                        |  | CUSTOMER          |  | SERIES     |  | REVISION        |  |
| 5 OF 11   |  |                        |  | GENERAL MARKET    |  | 91778      |  | J2              |  |

| 4 CIRCUIT      |             |         |                            |                            |                |               |              |     |      |
|----------------|-------------|---------|----------------------------|----------------------------|----------------|---------------|--------------|-----|------|
| MOLEX PART NO. | HOUSING NO. | COLOUR  | POSITION KEYS              | CODING KEYS                | LATCH POSITION | CONFIGURATION | COLOUR STRIP | REF | RIBS |
| 91778-0201     | 91778-9041  | NATURAL | 1a 1b 2a 2b<br>3a 3b 4a 4b | 01c d20<br>03c d40         | 1/2a 3/4a      |               | NONE         | K00 | NONE |
| 91778-0202     | 91778-9041  | NATURAL | 1b                         | 03c d40                    | 1/2a 3/4a      |               | NONE         | K01 | NONE |
| 91778-0203     | 91778-9041  | NATURAL | 1a 1b 2a 2b<br>3a 3b 4a 4b | d20 03c                    | 1/2a 3/4a      |               | NONE         | K35 | NONE |
| 91778-0204     | 91778-9041  | NATURAL | 1b                         | d20 03c                    | 1/2a 3/4a      |               | NONE         | K38 | NONE |
| 91778-0205     | 91778-9041  | NATURAL | 1a 4b                      | d40                        | 1/2a 3/4a      |               | NONE         | K03 | NONE |
| 91778-0206     | 91778-9041  | NATURAL | 1a 3a 3b                   | 01c d20 d40                | 1/2a 3/4a      |               | NONE         | K32 | NONE |
| 91778-0207     | 91778-9041  | NATURAL | 1b 2a 3a 4b                | 01c d40                    | 1/2a 3/4a      |               | NONE         | K37 | NONE |
| 91778-0208     | 91778-9041  | NATURAL | 1a 4b                      | 01c                        | 1/2a 3/4a      |               | NONE         | K02 | NONE |
| 91778-0209     | 91778-9042  | NATURAL | 3b                         | d30                        | 2/3a           |               | NONE         | K04 | NONE |
| 91778-0210     | 91778-9041  | NATURAL | 1a 1b 3a 3b                | 01c 03c                    | 1/2a 3/4a      |               | NONE         | K93 | NONE |
| 91778-0211     | 91778-9041  | NATURAL | 1a 2a 4a                   | 01c 03c d40                | 1/2a 3/4a      |               | NONE         | K43 | NONE |
| 91778-0212     | 91778-9041  | NATURAL | 1a 1b 3a 3b                | 01c d20<br>03c d40         | 1/2a 3/4a      |               | NONE         | K-- | NONE |
| 91778-0213     | 91778-9043  | NATURAL | 1a 1b 3a<br>4a 4b          | 01c d20 03c<br>d30 04c d40 | 1/2a           |               | NONE         | K-- | NONE |
| 91778-0214     | 91778-9041  | NATURAL | 1b                         | 03c d40                    | 1/2a 3/4a      |               | GREEN        | K-- | NONE |
| 91778-0215     | 91778-9041  | NATURAL | 2a 3b                      | NONE                       | 1/2a 3/4a      |               | BLACK        | K-- | NONE |
| 91778-0216     | 91778-9041  | NATURAL | 1a 1b 2a<br>3b 4b          | d20 d40                    | 1/2a 3/4a      |               | NONE         | K45 | NONE |
| 91778-0217     | 91778-9041  | NATURAL | 2a 3b                      | 01c d20                    | 1/2a 3/4a      |               | NONE         | K23 | NONE |
| 91778-0218     | 91778-9041  | NATURAL | 1a 1b 4a 4b                | 01c d20<br>03c d40         | 1/2a 3/4a      |               | YELLOW       | K-- | NONE |
| 91778-0219     | 91778-9041  | NATURAL | 1a 4a 4b                   | 01c d20 03c                | 1/2a 3/4a      |               | NONE         | K-- | NONE |
| 91778-0220     | 91778-9041  | NATURAL | 1a 1b<br>2a 3a 4b          | d20 d40                    | 1/2a 3/4a      |               | NONE         | K-- | NONE |

| 4 CIRCUIT      |             |         |                      |             |                                 |               |              |      |      |
|----------------|-------------|---------|----------------------|-------------|---------------------------------|---------------|--------------|------|------|
| MOLEX PART NO. | HOUSING NO. | COLOUR  | POSITION KEYS        | CODING KEYS | LATCH POSITION                  | CONFIGURATION | COLOUR STRIP | REF  | RIBS |
| 91778-0221     | 91778-9043  | NATURAL | 2a 4b                | 01c d30     | 1/2a                            |               | NONE         | K192 | NONE |
| 91778-0222     | 91778-9041  | NATURAL | 2a 4b                | d20         | 1/2a 3/4a                       |               | NONE         | K07  | NONE |
| 91778-0223     | 91778-9044  | NATURAL | 1a 1b 2a 2b<br>3a 4b | 01c d40     | 3/4a                            |               | NONE         | K--  | NONE |
| 91778-0224     | 91778-9043  | NATURAL | 1a 1b 2a 2b<br>3a 4b | 01c d40     | 1/2a                            |               | NONE         | K--  | NONE |
| 91778-0225     | 91778-9042  | NATURAL | 1a 1b 2a 2b<br>3a 4b | 01c d40     | 2/3a                            |               | NONE         | K--  | NONE |
| 91778-0226     | 91778-9045  | NATURAL | 1a 2b                | 04c         | 1/2b 3/4b<br>SHORT LATCH<br>1/2 |               | NONE         | K--  | NONE |
| 91778-0227     | 91778-9041  | NATURAL | 1a                   | 03c d40     | 1/2 3/4                         |               | NONE         | K--  | NONE |



SCALE 2:1



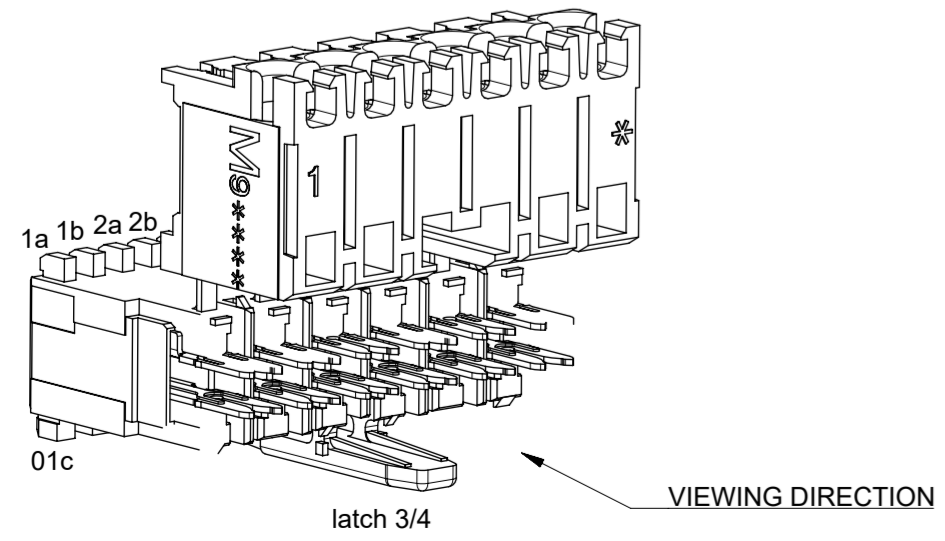
|   |  |                        |  |                   |  |            |  |                 |  |
|---|--|------------------------|--|-------------------|--|------------|--|-----------------|--|
| THIS DRAWING CONTAINS INFORMATION THAT IS PROPRIETARY TO MOLEX ELECTRONIC TECHNOLOGIES, LLC AND SHOULD NOT BE USED WITHOUT WRITTEN PERMISSION |  |                        |  |                   |  |            |  |                 |  |
| DIMENSION UNITS   |  | SCALE                  |  | CURRENT REV DESC: |  |            |  |                 |  |
| mm  |  | 1:1                    |  |                   |  |            |  |                 |  |
| GENERAL TOLERANCES (UNLESS SPECIFIED)   |  |                        |  | EC NO: 675846     |  |            |  |                 |  |
| ANGULAR TOL ± 0.5°  |  |                        |  | DRWN: MBN02       |  | 2021/08/30 |  |                 |  |
| 4 PLACES ±  |  |                        |  | CHK'D: MBN02      |  | 2021/08/30 |  |                 |  |
| 3 PLACES ±  |  |                        |  | APPR: SDEVITT     |  | 2021/09/28 |  |                 |  |
| 2 PLACES ± 0.05   |  |                        |  | INITIAL REVISION: |  |            |  |                 |  |
| 1 PLACE ± 0.1   |  |                        |  | DRWN: CFISHER01   |  | 2016/03/02 |  |                 |  |
| 0 PLACES ±  |  |                        |  | APPR: BRUTTLE     |  | 2016/11/01 |  |                 |  |
| DRAFT WHERE APPLICABLE MUST REMAIN WITHIN DIMENSIONS  |  | THIRD ANGLE PROJECTION |  | DRAWING           |  | SERIES     |  | MATERIAL NUMBER |  |
|   |  |                        |  | A2-SIZE           |  | 91778      |  | SEE CHARTS      |  |
| DOCUMENT NUMBER   |  |                        |  | DOC TYPE          |  | DOC PART   |  | REVISION        |  |
| 917780001   |  |                        |  | PSD               |  | 000        |  | J2              |  |
| CUSTOMER  |  |                        |  | SHEET NUMBER      |  |            |  |                 |  |
| GENERAL MARKET  |  |                        |  | 6 OF 11           |  |            |  |                 |  |

# 5 CIRCUIT

| MOLEX PART NO. | HOUSING NO. | COLOUR  | POSITION KEYS                       | CODING KEYS                | LATCH POSITION | CONFIGURATION | COLOUR STRIP | REF | RIBS |
|----------------|-------------|---------|-------------------------------------|----------------------------|----------------|---------------|--------------|-----|------|
| 91778-0301     | 91778-9053  | NATURAL | 1a 3a                               | 01c d30                    | 1/2a 4/5a      |               | NONE         | K30 | NONE |
| 91778-0302     | 91778-9051  | NATURAL | 1a 5b                               | 01c d20<br>03c d50         | 1/2a 3/4a      |               | NONE         | K31 | NONE |
| 91778-0303     | 91778-9052  | NATURAL | 2a                                  | 01c d50                    | 2/3a 4/5a      |               | NONE         | K43 | NONE |
| 91778-0304     | 91778-9052  | NATURAL | 1a 1b 2a 2b<br>3a 3b 4a 4b<br>5a 5b | 01c d50                    | 2/3a 4/5a      |               | NONE         | K42 | NONE |
| 91778-0305     | 91778-9052  | NATURAL | 1a 1b 2a 2b<br>3a 3b 4a 4b<br>5a 5b | 01c d10 02c<br>d30 04c d50 | 2/3a 4/5a      |               | NONE         | K92 | NONE |
| 91778-0306     | 91778-9051  | NATURAL | 1a 1b 2a 2b<br>3a 3b 4a 4b<br>5a 5b | 01c d20 03c<br>d40 05c d50 | 1/2a 3/4a      |               | NONE         | K00 | NONE |
| 91778-0307     | 91778-9053  | NATURAL | 1a 1b 2a 2b<br>3a 3b 4a 4b<br>5a 5b | 01c d20 03c<br>d30 04c d50 | 1/2a 4/5a      |               | NONE         | K90 | NONE |
| 91778-0308     | 91778-9051  | NATURAL | 2a 4b                               | 01c d20 d40                | 1/2a 3/4a      |               | NONE         | K44 | NONE |
| 91778-0309     | 91778-9053  | NATURAL | 1a 3a                               | 01c d30 d50                | 1/2a 4/5a      |               | NONE         | K49 | NONE |
| 91778-0310     | 91778-9051  | NATURAL | NONE                                | 01c d40                    | 1/2a 3/4a      |               | NONE         | K-- | NONE |
| 91778-0313     | 91778-9054  | NATURAL | 1a 2b 3b<br>4b 5b                   | d10 02c<br>04c d50         | 4/5a           |               | NONE         | K-- | NONE |
| 91778-0314     | 91778-9054  | NATURAL | 5b                                  | 01c d20<br>03c d50         | 4/5a           |               | NONE         | K-- | NONE |
| 91778-0315     | 91778-9051  | NATURAL | 1a 1b 2a 2b<br>3a 3b 4a 4b<br>5a 5b | d20 d40                    | 1/2a 3/4a      |               | NONE         | K84 | NONE |
| 91778-0316     | 91778-9055  | NATURAL | 5b                                  | d30                        | 1/2a           |               | NONE         | K-- | NONE |
| 91778-0317     | 91778-9053  | NATURAL | 2b                                  | d20 d30                    | 1/2a 4/5a      |               | NONE         | K-- | NONE |
| 91778-0318     | 91778-9056  | NATURAL | 1a 5b                               | d20                        | 3/4a           |               | NONE         | K-- | NONE |
| 91778-0319     | 91778-9053  | NATURAL | 3b                                  | d30                        | 1/2a 4/5a      |               | NONE         | K-- | NONE |
| 91778-0320     | 91778-9051  | NATURAL | 3b                                  | 01c d20<br>03c d40         | 1/2a 3/4a      |               | NONE         | K-- | NONE |

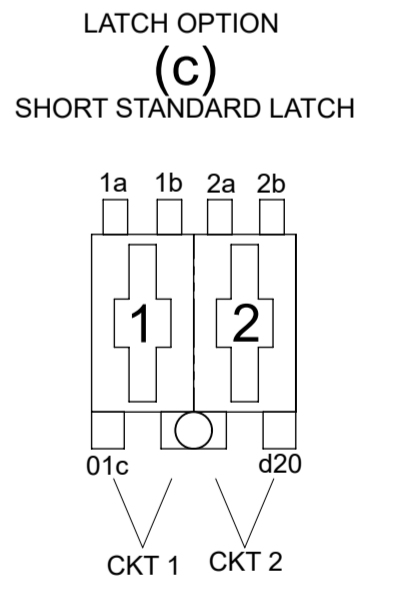
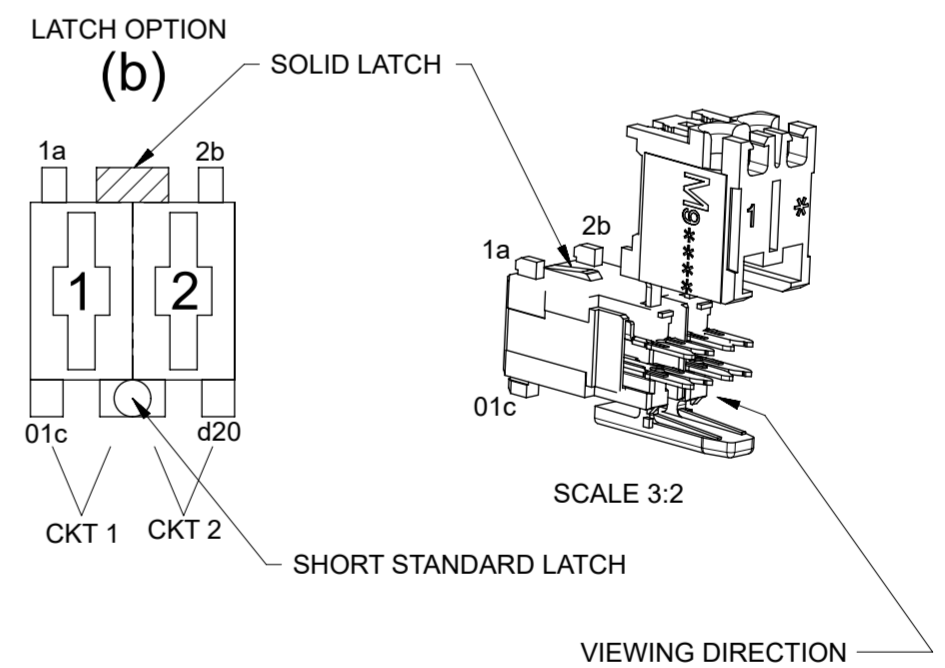
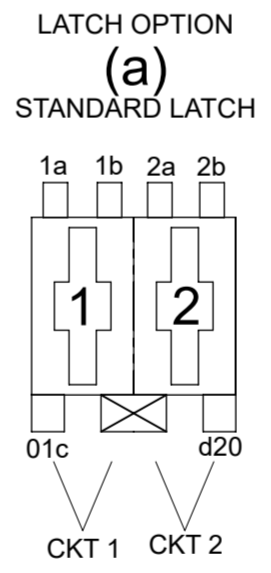
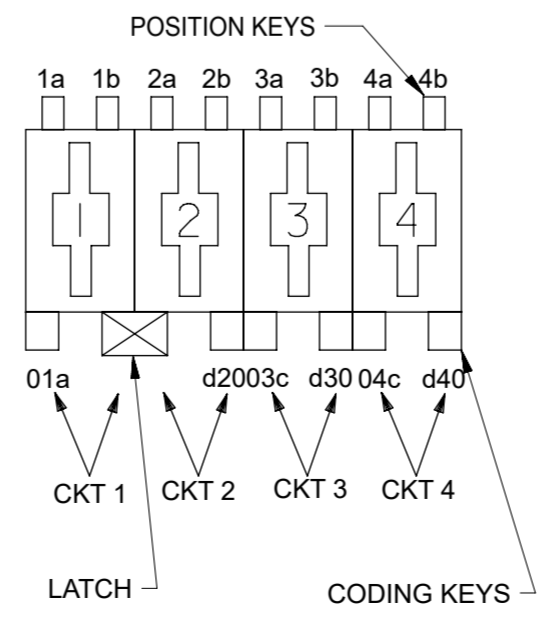
# 5 CIRCUIT

| MOLEX PART NO. | HOUSING NO. | COLOUR  | POSITION KEYS | CODING KEYS | LATCH POSITION | CONFIGURATION | COLOUR STRIP | REF | RIBS |
|----------------|-------------|---------|---------------|-------------|----------------|---------------|--------------|-----|------|
| 91778-0321     | 91778-9053  | NATURAL | 1a 4a         | d30         | 1/2a 4/5a      |               | NONE         | K-- | NONE |
| 91778-0322     | 91778-9057  | NATURAL | 3a            | 03c         | 1/2c           |               | NONE         | K-- | NONE |
| 91778-0323     | 91778-9057  | NATURAL | 3b            | d30         | 1/2c           |               | NONE         | K-- | NONE |
| 91778-0324     | 91778-9053  | NATURAL | 2b            | d20         | 1/2a 4/5a      |               | NONE         | K02 | NONE |



SCALE 2:1

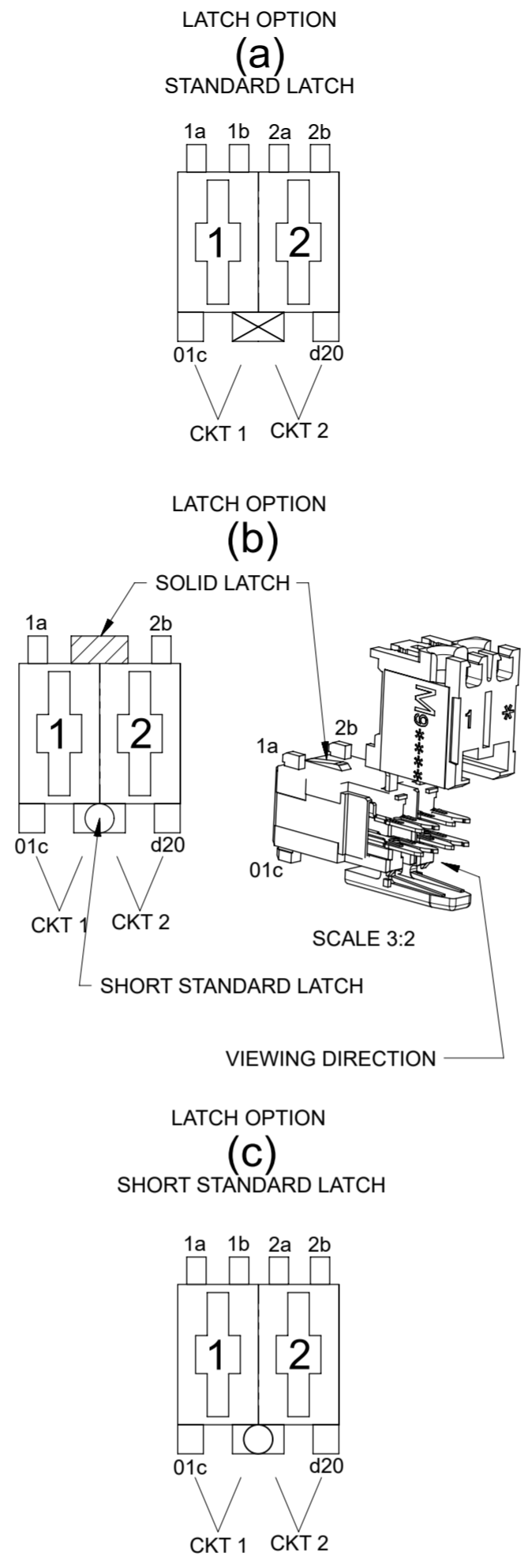
KEYING, CODING & LATCH IDENTIFICATION  
4 CKT EXAMPLE VIEW IN MATING DIRECTION



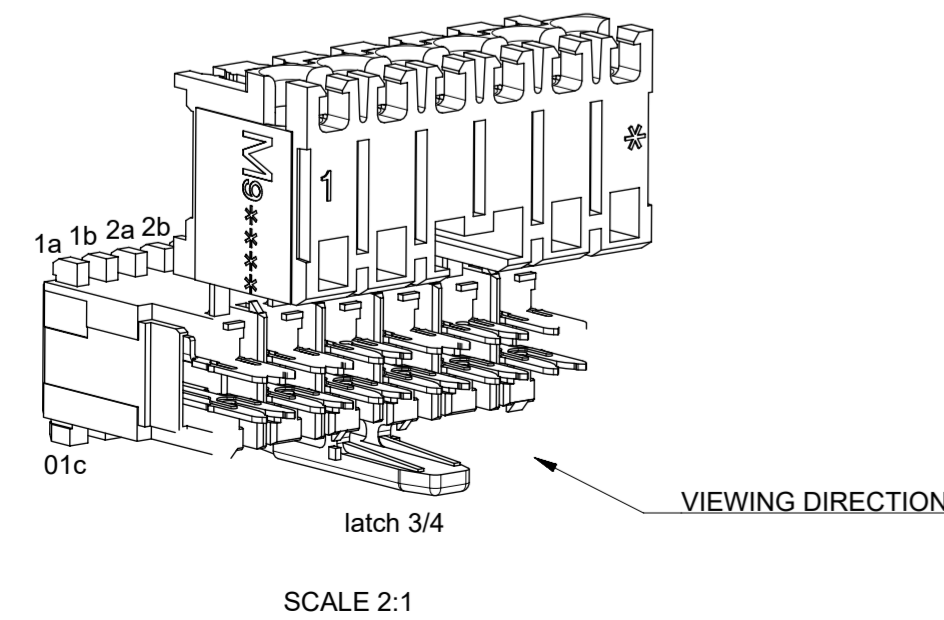
|   |  |                        |  |                            |  |                         |  |  |  |
|---|--|------------------------|--|----------------------------|--|-------------------------|--|--|--|
| THIS DRAWING CONTAINS INFORMATION THAT IS PROPRIETARY TO MOLEX ELECTRONIC TECHNOLOGIES, LLC AND SHOULD NOT BE USED WITHOUT WRITTEN PERMISSION |  |                        |  |                            |  |                         |  |  |  |
| DIMENSION UNITS<br><b>mm</b>  |  | SCALE<br><b>1:1</b>    |  | CURRENT REV DESC:          |  |                         |  |  |  |
| GENERAL TOLERANCES (UNLESS SPECIFIED)   |  |                        |  | EC NO: 675846              |  | 2021/08/30              |  | <b>molex</b>                                     |  |
| ANGULAR TOL ± 0.5°  |  |                        |  | DRWN: MBN02                |  | 2021/08/30              |  |  |  |
| 4 PLACES ±  |  |                        |  | CHK'D: MBN02               |  | 2021/09/28              |  | 5MM APPLI-MATE 10A                               |  |
| 3 PLACES ±  |  |                        |  | APPR: SDEVITT              |  | 2021/09/28              |  | PRODUCT CUSTOMER DRAWING                         |  |
| 2 PLACES ± 0.05   |  |                        |  | INITIAL REVISION:          |  |                         |  | DOCUMENT NUMBER                                  |  |
| 1 PLACE ± 0.1   |  |                        |  | DRWN: CFISHER01            |  | 2016/03/02              |  | 917780001  |  |
| 0 PLACES ±  |  |                        |  | APPR: BRUTTLE              |  | 2016/11/01              |  | DOC TYPE   DOC PART   REVISION<br>PSD   000   J2 |  |
| DRAFT WHERE APPLICABLE MUST REMAIN WITHIN DIMENSIONS  |  | THIRD ANGLE PROJECTION |  | DRAWING<br>A2-SIZE         |  | SERIES<br>91778         |  | MATERIAL NUMBER<br>SEE CHARTS                    |  |
|   |  |                        |  | CUSTOMER<br>GENERAL MARKET |  | SHEET NUMBER<br>7 OF 11 |  |  |  |



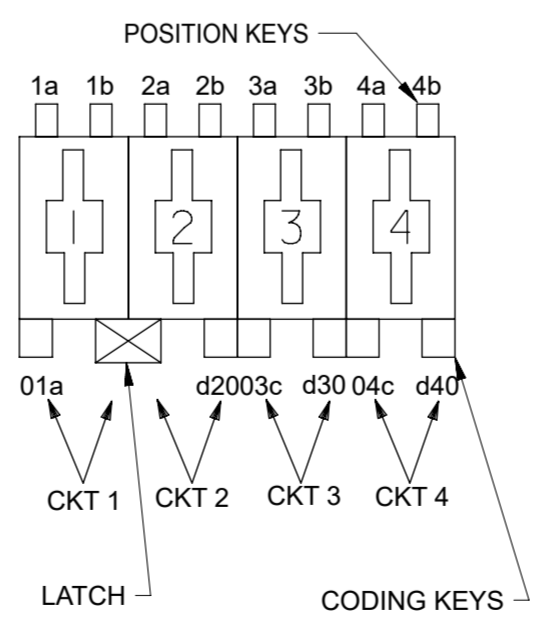
| 6 CIRCUIT      |             |         |   |  |                |               |              |     |      |
|----------------|-------------|---------|---|--|----------------|---------------|--------------|-----|------|
| MOLEX PART NO. | HOUSING NO. | COLOUR  | POSITION KEYS                             | CODING KEYS                                      | LATCH POSITION | CONFIGURATION | COLOUR STRIP | REF | RIBS |
| 91778-0401     | 91778-9061  | NATURAL | 1a 1b 2a 2b<br>3a 3b 4a 4b<br>5a 5b 6a 6b | 01c d10 02c<br>d30 04c d50<br>06c d60            | 2/3a 4/5a      |               | NONE         | K90 | NONE |
| 91778-0402     | 91778-9062  | NATURAL | 1b  | 03c d60  | 1/2a 5/6a      |               | NONE         | K91 | NONE |
| 91778-0403     | 91778-9062  | NATURAL | 1a 1b 2a 2b<br>3a 3b 4a 4b<br>5a 5b 6a 6b | 01c d20 03c<br>d30 04c d40<br>05c d60            | 1/2a 5/6a      |               | NONE         | K53 | NONE |
| 91778-0404     | 91778-9062  | NATURAL | 5b  | 01c d40  | 1/2a 5/6a      |               | NONE         | K61 | NONE |
| 91778-0405     | 91778-9062  | NATURAL | 1a 6a                                     | d30  | 1/2a 5/6a      |               | NONE         | K-- | NONE |
| 91778-0406     | 91778-9062  | NATURAL | 2a 6b                                     | d40  | 1/2a 5/6a      |               | NONE         | K04 | NONE |
| 91778-0407     | 91778-9063  | NATURAL | 5b  | 02c 06c  | 3/4a           |               | NONE         | K-- | NONE |
| 91778-0408     | 91778-9064  | NATURAL | 1b 3a 4b<br>5a 5b 6b                      | 01c d60  | 2/3a           |               | NONE         | K-- | NONE |
| 91778-0409     | 91778-9063  | NATURAL | 1a 1b 2a 2b<br>3a 3b 4a 4b<br>5a 5b 6a 6b | d50 06c  | 3/4a           |               | NONE         | K-- | NONE |
| 91778-0410     | 91778-9065  | BLACK   | 1a 1b 2a 2b<br>3a 3b 4a 4b<br>5a 5b 6a 6b | 02c d50  | 2/3a 4/5a      |               | NONE         | K38 | NONE |
| 91778-0411     | 91778-9066  | NATURAL | 1b 2a 3a 4b<br>5a 5b 6b                   | 01c d60  | 2/3a 5/6a      |               | NONE         | K-- | NONE |
| 91778-0412     | 91778-9067  | NATURAL | 1a 3b 4b                                  | 01c d50 06c                                      | 1/2a 4/5a      |               | NONE         | K30 | NONE |
| 91778-0413     | 91778-9067  | NATURAL | 1a 1b 2a 2b<br>3a 3b 4a 4b<br>5a 5b 6a 6b | 01c d20 03c<br>d30 04c d50<br>06c d60            | 1/2a 4/5a      |               | NONE         | K00 | NONE |
| 91778-0414     | 91778-9063  | NATURAL | 1a 1b 2a 2b<br>3a 3b 4a 4b<br>5a 5b 6a 6b | 01c d20 02c<br>d20 03c d40<br>05c d50 06c<br>d60 | 3/4a           |               | NONE         | K-- | NONE |
| 91778-0415     | 91778-9066  | NATURAL | 2a 3b 5b 6b                               | NONE   | 1/2a 5/6a      |               | NONE         | K-- | NONE |
| 91778-0416     | 91778-9066  | NATURAL | 1a 1b 2a 2b<br>3a 3b 4a 4b<br>5a 5b 6a 6b | 01c 02c d30<br>04c d40 05c<br>d60                | 2/3a 5/6a      |               | NONE         | K-- | NONE |
| 91778-0417     | 91778-9068  | NATURAL | 1b 5b                                     | 02c  | 3/4b           |               | NONE         | K-- | NONE |



| 7 CIRCUIT      |             |         |   |   |                |               |              |     |      |
|----------------|-------------|---------|---|---|----------------|---------------|--------------|-----|------|
| MOLEX PART NO. | HOUSING NO. | COLOUR  | POSITION KEYS                                   | CODING KEYS                                   | LATCH POSITION | CONFIGURATION | COLOUR STRIP | REF | RIBS |
| 91778-0501     | 91778-9071  | NATURAL | 2b  | d20 07c                                       | 1/2a 5/6a      |               | NONE         | K37 | NONE |
| 91778-0502     | 91778-9071  | NATURAL | 1a 1b 2a 2b 3a<br>3b 4a 4b 5a 5b<br>6a 6b 7a 7b | 01c d20 03c d30<br>04c d40 05c d60<br>07c d70 | 1/2a 5/6a      |               | NONE         | K00 | NONE |
| 91778-0503     | 91778-9071  | NATURAL | NONE  | d20   | 1/2a 5/6a      |               | NONE         | K44 | NONE |
| 91778-0504     | 91778-9072  | NATURAL | 1a 1b 2a 2b 3a<br>3b 4a 4b 5a 5b<br>6a 6b 7a 7b | 01c d10 02c d30<br>04c d40 05c d50<br>06c d70 | 2/3a 6/7a      |               | NONE         | K90 | NONE |
| 91778-0505     | 91778-9072  | NATURAL | 1a 1b 2a 2b 3a<br>3b 4a 4b 5a 5b<br>6a 6b 7a 7b | 02c d50                                       | 2/3a 6/7a      |               | NONE         | K49 | NONE |
| 91778-0506     | 91778-9073  | NATURAL | NONE  | d20 03c 07c                                   | 5/6a           |               | NONE         | K-- | NONE |
| 91778-0507     | 91778-9074  | NATURAL | 1a 6b   | 03c 07c                                       | 4/5a           |               | NONE         | K-- | NONE |
| 91778-0508     | 91778-9071  | NATURAL | NONE  | 04c 05c                                       | 1/2a 5/6a      |               | NONE         | K-- | NONE |
| 91778-0509     | 91778-9071  | NATURAL | NONE  | 04c 07c                                       | 1/2a 5/6a      |               | NONE         | K-- | NONE |
| 91778-0510     | 91778-9071  | NATURAL | NONE  | d20 03c d70                                   | 1/2a 5/6a      |               | NONE         | K-- | NONE |
| 91778-0511     | 91778-9071  | NATURAL | NONE  | d20 07c                                       | 1/2a 5/6a      |               | NONE         | K-- | NONE |
| 91778-0512     | 91778-9071  | NATURAL | NONE  | d20 03c                                       | 1/2a 5/6a      |               | NONE         | K-- | NONE |
| 91778-0513     | 91778-9071  | NATURAL | 6b 7a 7b  | d20 d60                                       | 1/2a 5/6a      |               | NONE         | K-- | NONE |
| 91778-0514     | 91778-9071  | NATURAL | 1a 1b 2a 2b 3a<br>3b 4a 4b 5a 5b<br>6a 6b 7a 7b | 03c d40 07c                                   | 1/2a 5/6a      |               | NONE         | K-- | NONE |
| 91778-0515     | 91778-9071  | NATURAL | 1a 2a 2b 3a<br>3b 4a 5a 6a<br>6b 7a 7b          | d20 d60                                       | 1/2a 5/6a      |               | NONE         | K-- | NONE |
| 91778-0516     | 91778-9071  | NATURAL | 1a 2a 2b 3a<br>3b 4a 5a 6a<br>6b 7a 7b          | d20 d60                                       | 1/2a 5/6a      |               | NONE         | K-- | NONE |
| 91778-0517     | 91778-9075  | NATURAL | NONE  | d20 03c d50 06c                               | 1/2a 6/7a      |               | NONE         | K-- | NONE |



KEYING, CODING & LATCH IDENTIFICATION  
4 CKT EXAMPLE VIEW IN MATING DIRECTION



THIS DRAWING CONTAINS INFORMATION THAT IS PROPRIETARY TO MOLEX ELECTRONIC TECHNOLOGIES, LLC AND SHOULD NOT BE USED WITHOUT WRITTEN PERMISSION

|  |                |                   |
|--|----------------|-------------------|
| DIMENSION UNITS                                      | SCALE          | CURRENT REV DESC: |
| mm   | 1:1            |                   |
| GENERAL TOLERANCES (UNLESS SPECIFIED)                |                |                   |
| ANGULAR TOL  | ± 0.5°         |                   |
| 4 PLACES   | ±              |                   |
| 3 PLACES   | ±              |                   |
| 2 PLACES   | ± 0.05         |                   |
| 1 PLACE  | ± 0.1          |                   |
| 0 PLACES   | ±              |                   |
| DRAFT WHERE APPLICABLE MUST REMAIN WITHIN DIMENSIONS |                |                   |
| THIRD ANGLE PROJECTION                               | DRAWING        | SERIES            |
|  | A2-SIZE        | 91778             |
| EC NO: 675846  |                |                   |
| DRWN: MBN02 2021/08/30                               |                |                   |
| CHK'D: MBN02 2021/08/30                              |                |                   |
| APPR: SDEVITT 2021/09/28                             |                |                   |
| INITIAL REVISION:                                    |                |                   |
| DRWN: CFISHER01 2016/03/02                           |                |                   |
| APPR: BRUTTLE 2016/11/01                             |                |                   |
| DOCUMENT NUMBER                                      | DOC TYPE       | DOC PART          |
| 917780001  | PSD            | 000               |
| REVISION   |                |                   |
| J2   |                |                   |
| MATERIAL NUMBER                                      | CUSTOMER       | SHEET NUMBER      |
| SEE CHARTS   | GENERAL MARKET | 8 OF 11           |

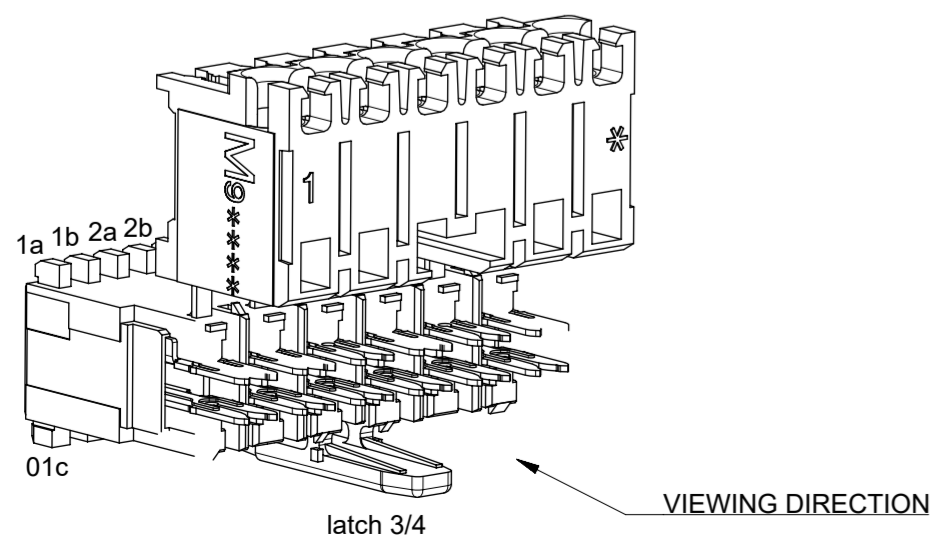


# 7 CIRCUIT

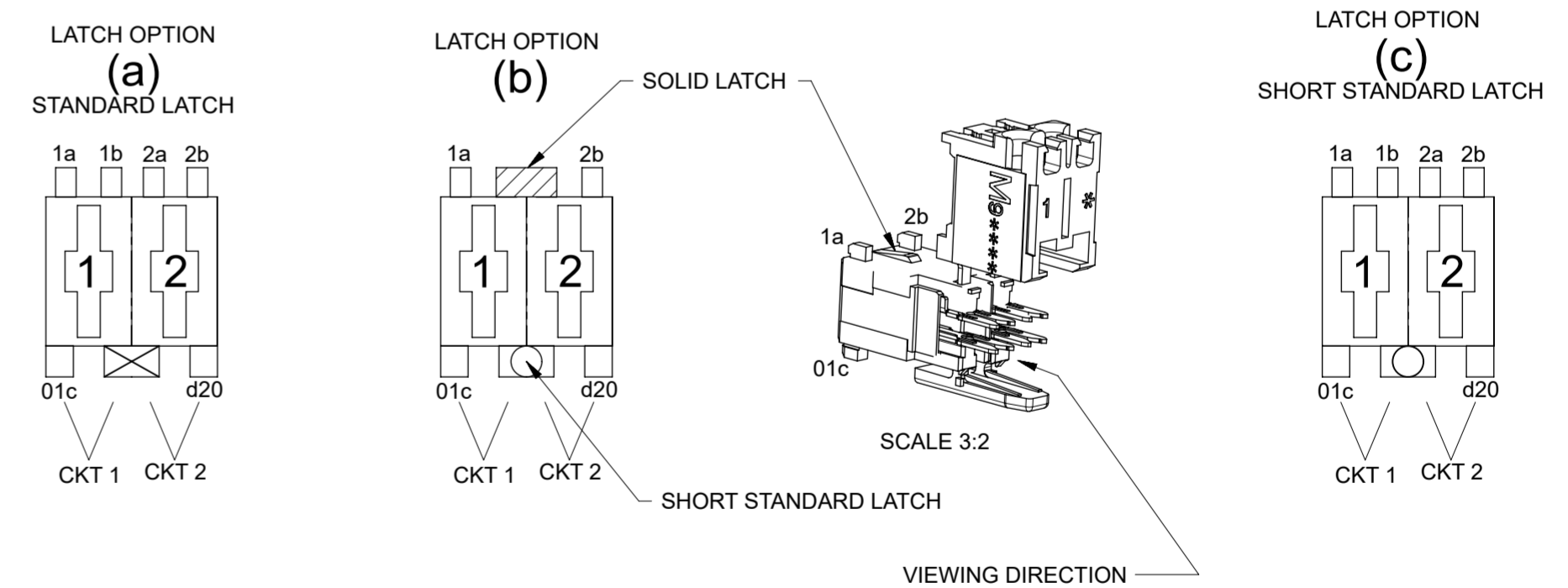
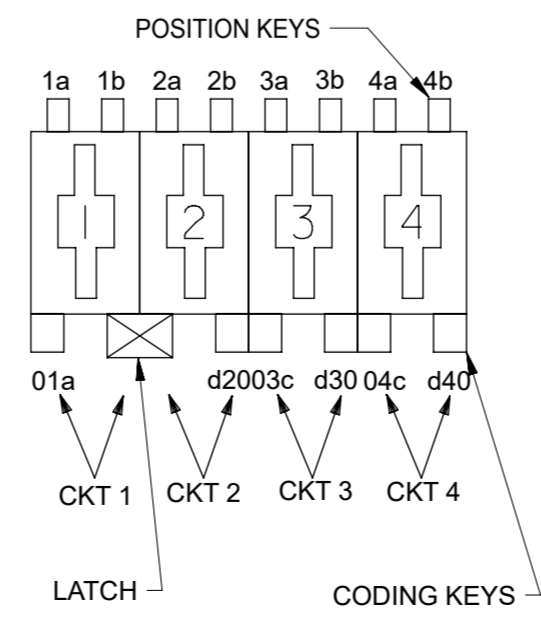
| MOLEX PART NO. | HOUSING NO. | COLOUR  | POSITION KEYS                                      | CODING KEYS  | LATCH POSITION | CONFIGURATION | COLOUR STRIP | REF | RIBS |
|----------------|-------------|---------|--|--|----------------|---------------|--------------|-----|------|
| 91778-0518     | 91778-9072  | NATURAL | 6b 7a  | d10 02c d50 06c  | 2/3a 6/7a      |               | NONE         | K-- | NONE |
| 91778-0519     | 91778-9074  | NATURAL | 1a 1b 2a 2b<br>3a 3b 4a 4b<br>5a 5b 6a 6b<br>7a 7b | 01c d10 02c<br>d20 03c d30<br>04c d50 06c<br>d60 07c d70 | 4/5a           |               | NONE         | K-- | NONE |
| 91778-0520     | 91778-9076  | NATURAL | 2b   | d20  | 1/2c           |               | NONE         | K-- | NONE |
| 91778-0521     | 91778-9075  | NATURAL | 5b   | d30 d70  | 1/2a 6/7a      |               | NONE         | K-- | NONE |
| 91778-0522     | 91778-9077  | NATURAL | 1b 5b  | 02c d70  | 3/4b           |               | NONE         | K-- | NONE |

# 8 CIRCUIT

| MOLEX PART NO. | HOUSING NO. | COLOUR  | POSITION KEYS  | CODING KEYS   | LATCH POSITION                      | CONFIGURATION | COLOUR STRIP | REF | RIBS |
|----------------|-------------|---------|--|---|-------------------------------------|---------------|--------------|-----|------|
| 91778-0601     | 91778-9081  | NATURAL | 1a 1b 2a 2b 3a<br>3b 4a 4b 5a 5b<br>6a 6b 7a 7b 8a<br>8b | 01c d10 02c d20 03c<br>d40 05c d60 07c d70<br>08c d80 | 3/4a 5/6a                           |               | NONE         | K00 | NONE |
| 91778-0602     | 91778-9081  | NATURAL | 1b 3a 3b 5a<br>5b 7a 8a                                  | 01c d20 03c 05c 07c                                   | 3/4a 5/6a                           |               | NONE         | K36 | NONE |
| 91778-0603     | 91778-9082  | NATURAL | 1a 1b 2a 2b 3a<br>3b 4a 4b 5a 5b<br>6a 6b 7a 7b 8a<br>8b | 01c d20 03c d30 04c<br>d40 05c d50 06c d60<br>07c d80 | 1/2a 7/8a                           |               | NONE         | K90 | NONE |
| 91778-0604     | 91778-9082  | NATURAL | 1a 1b 2a 2b 3a<br>3b 4a 4b 5a 5b<br>6a 6b 7a 7b 8a<br>8b | 03c d60   | 1/2a 7/8a                           |               | NONE         | K39 | NONE |
| 91778-0605     | 91778-9082  | NATURAL | 2b 8a  | 03c d60   | 1/2a 7/8a                           |               | NONE         | K-- | NONE |
| 91778-0606     | 91778-9083  | NATURAL | 8b   | 02c d30 07c   | 2/3a 7/8a                           |               | NONE         | K-- | NONE |
| 91778-0607     | 91778-9084  | NATURAL | 2b 8a  | 03c d60   | 1/2a                                |               | NONE         | K-- | NONE |
| 91778-0608     | 91778-9085  | NATURAL | 8b   | 02c d30   | 2/3a                                |               | NONE         | K49 | NONE |
| 91778-0609     | 91778-9082  | NATURAL | NONE   | d20 03c d60 07c                                       | 1/2a 7/8a                           |               | NONE         | K-- | NONE |
| 91778-0610     | 91778-9082  | NATURAL | 7b 8a  | d20 03c d60 07c                                       | 1/2a 7/8a                           |               | NONE         | K-- | NONE |
| 91778-0611     | 91778-9086  | NATURAL | NONE   | NONE  | 1/2b 6/7b<br>SHORT STD<br>LATCH 1/2 |               | NONE         | K-- | NONE |
| 91778-0612     | 91778-9087  | NATURAL | NONE   | NONE  | 1/2c                                |               | NONE         | K-- | NONE |



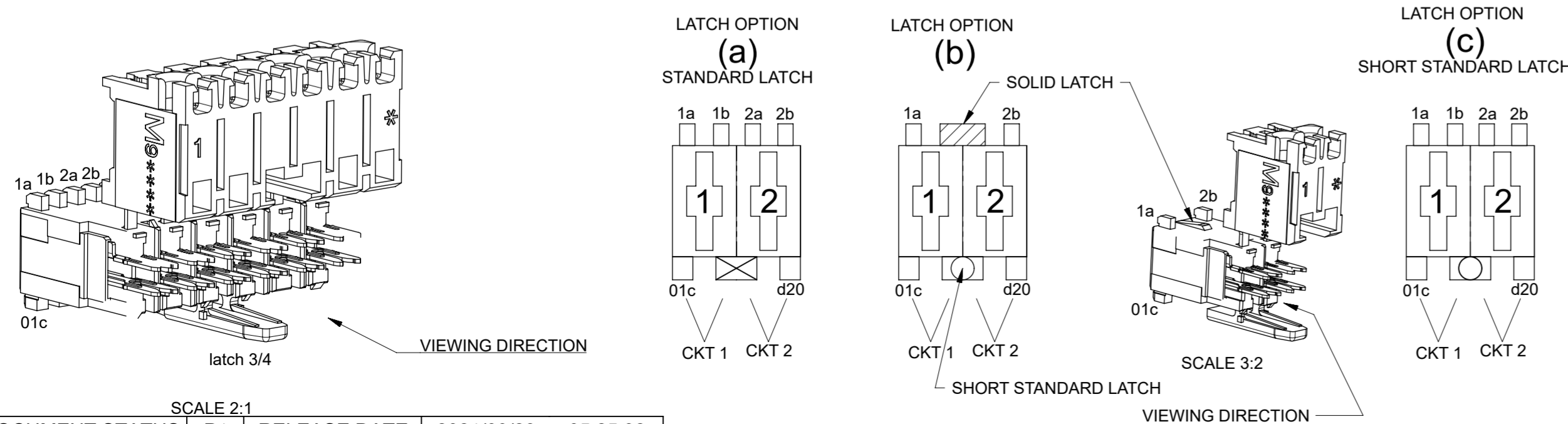
KEYING, CODING & LATCH IDENTIFICATION  
4 CKT EXAMPLE VIEW IN  
MATING DIRECTION



|   |  |                        |  |                            |  |                         |  |                                |  |
|---|--|------------------------|--|----------------------------|--|-------------------------|--|--------------------------------|--|
| THIS DRAWING CONTAINS INFORMATION THAT IS PROPRIETARY TO MOLEX ELECTRONIC TECHNOLOGIES, LLC AND SHOULD NOT BE USED WITHOUT WRITTEN PERMISSION |  |                        |  |                            |  |                         |  |                                |  |
| DIMENSION UNITS<br><b>mm</b>  |  | SCALE<br><b>1:1</b>    |  | CURRENT REV DESC:          |  |                         |  |                                |  |
| GENERAL TOLERANCES (UNLESS SPECIFIED)   |  |                        |  | EC NO: 675846              |  | 2021/08/30              |  | <b>molex</b>                   |  |
| ANGULAR TOL ± 0.5°  |  |                        |  | DRWN: MBN02                |  | 2021/08/30              |  |                                |  |
| 4 PLACES ±  |  |                        |  | CHK'D: MBN02               |  | 2021/09/28              |  | 5MM APPLI-MATE 10A             |  |
| 3 PLACES ±  |  |                        |  | APPR: SDEVITT              |  | 2021/09/28              |  | PRODUCT CUSTOMER DRAWING       |  |
| 2 PLACES ± 0.05   |  |                        |  | INITIAL REVISION:          |  |                         |  | DOCUMENT NUMBER                |  |
| 1 PLACE ± 0.1   |  |                        |  | DRWN: CFISHER01            |  | 2016/03/02              |  | 917780001                      |  |
| 0 PLACES ±  |  |                        |  | APPR: BRUTTLE              |  | 2016/11/01              |  | DOC TYPE   DOC PART   REVISION |  |
| DRAFT WHERE APPLICABLE<br>MUST REMAIN<br>WITHIN DIMENSIONS  |  | THIRD ANGLE PROJECTION |  | DRAWING<br><b>A2-SIZE</b>  |  | SERIES<br><b>91778</b>  |  | MATERIAL NUMBER<br>SEE CHARTS  |  |
|   |  |                        |  | CUSTOMER<br>GENERAL MARKET |  | SHEET NUMBER<br>9 OF 11 |  |                                |  |

| 9 CIRCUIT      |             |         |  |  |                        |               |              |     |      |  |
|----------------|-------------|---------|--|--|------------------------|---------------|--------------|-----|------|--|
| MOLEX PART NO. | HOUSING NO. | COLOUR  | POSITION KEYS  | CODING KEYS  | LATCH POSITION         | CONFIGURATION | COLOUR STRIP | REF | RIBS |  |
| 91778-0701     | 91778-9091  | NATURAL | 1a 1b 2a 2b 3a<br>3b 4a 4b 5a 5b<br>6a 6b 7a 7b 8a<br>8b 9a 9b | 01c d10 02c d20<br>03c d40 05c d50<br>06c d70 08c d80<br>09c d90 | 3/4a 6/7a              |               | NONE         | K00 | NONE |  |
| 91778-0702     | 91778-9091  | NATURAL | 1b 2a 3a<br>5a 6a 7b 8b  | 01c 03c d70<br>08c d90   | 3/4a 6/7a              |               | NONE         | K64 | NONE |  |
| 91778-0703     | 91778-9093  | NATURAL | 2b 5a  | d80  | 2/3a 7/8a              |               | NONE         | K03 | NONE |  |
| 91778-0704     | 91778-9092  | NATURAL | 1b   | 03c  | 5/6a                   |               | NONE         | K-- | NONE |  |
| 91778-0705     | 91778-9094  | NATURAL | 2b 3b 4a<br>5a 6b  | d10 02c 04c<br>08c d90   | 2/3a 4/5a<br>6/7a 8/9a |               | NONE         | K-- | NONE |  |
| 91778-0706     | 91778-9095  | NATURAL | 1b 2a 4b<br>5a 8b 9b   | 01c d20<br>d70 08c   | 1/2a 4/5a<br>6/7a 8/9a |               | NONE         | K-- | NONE |  |
| 91778-0707     | 91778-9096  | NATURAL | 5b 6a  | NONE   | 3/4a 7/8a              |               | NONE         | K-- | NONE |  |
| 91778-0708     | 91778-9097  | NATURAL | 5b 6a  | d30 d70  | 1/2a 6/7a              |               | NONE         | K-- | NONE |  |
| 91778-0709     | 91778-9097  | NATURAL | 5b   | d30 04c<br>d70 08c   | 1/2a 6/7a              |               | NONE         | K-- | NONE |  |

| 10 CIRCUIT     |             |         |  |   |                |               |              |     |      |  |
|----------------|-------------|---------|--|---|----------------|---------------|--------------|-----|------|--|
| MOLEX PART NO. | HOUSING NO. | COLOUR  | POSITION KEYS  | CODING KEYS   | LATCH POSITION | CONFIGURATION | COLOUR STRIP | REF | RIBS |  |
| 91778-0801     | 91778-9101  | NATURAL | 1a 1b 2a 2b 3a<br>3b 4a 4b 5a 5b<br>6a 6b 7a 7b 8a<br>8b 9a 9b 10a 10b | 01c d10 02c d20 03c<br>d40 05c d50 06c d60<br>07c d80 09c d90 10c<br>d100 | 3/4a 7/8a      |               | NONE         | K00 | NONE |  |
| 91778-0802     | 91778-9101  | NATURAL | 1a 3b 7b 8a  | 01c d20 d40<br>05c d100   | 3/4a 7/8a      |               | NONE         | K34 | NONE |  |
| 91778-0803     | 91778-9102  | NATURAL | 1a 1b 2a 2b 3a<br>3b 4a 4b 5a 5b<br>6a 6b 7a 7b 8a<br>8b 9a 9b 10a 10b | 01c d10 02c d20 03c<br>d30 04c d50 06c d60<br>07c d80 09c d90 10c<br>d100 | 4/5a 7/8a      |               | NONE         | K98 | NONE |  |
| 91778-0804     | 91778-9103  | NATURAL | 1a 1b 2a 2b 3a<br>3b 4a 4b 5a 5b<br>6a 6b 7a 7b 8a<br>8b 9a 9b 10a 10b | 01c d10 02c d20 03c<br>d30 04c d50 06c d70<br>08c d80 09c d90 10c<br>d100 | 4/5a 6/7a      |               | NONE         | K99 | NONE |  |
| 91778-0805     | 91778-9102  | NATURAL | 1a 10b   | 07c   | 4/5a 7/8a      |               | NONE         | K39 | NONE |  |
| 91778-0806     | 91778-9103  | NATURAL | 1b 9a  | 06c   | 4/5a 6/7a      |               | NONE         | K40 | NONE |  |
| 91778-0807     | 91778-9104  | NATURAL | 1b   | 03c   | 5/6a           |               | NONE         | K-- | NONE |  |
| 91778-0808     | 91778-9104  | NATURAL | 4b 6b 8a 8b  | d100  | 5/6a           |               | NONE         | K-- | NONE |  |
| 91778-0809     | 91778-9105  | NATURAL | 4b 6b 8a 8b  | 06c d100  | NONE           |               | NONE         | K-- | NONE |  |
| 91778-0810     | 91778-9104  | NATURAL | NONE   | d30 04c<br>d70 08c  | 2/3a 8/9a      |               | NONE         | K-- | NONE |  |
| 91778-0811     | 91778-9107  | NATURAL | 2b 3a  | d30 04c<br>d70 08c  | 5/6a 8/9a      |               | NONE         | K-- | NONE |  |
| 91778-0812     | 91778-9107  | NATURAL | 8b 9a  | d30 04c<br>d70 08c  | 5/6a 8/9a      |               | NONE         | K-- | NONE |  |
| 91778-0813     | 91778-9107  | NATURAL | 8b   | d30 04c<br>d70 08c  | 5/6a 8/9a      |               | NONE         | K-- | NONE |  |
| 91778-0814     | 91778-9104  | NATURAL | 4b 6b 8a 8b  | d30 d40<br>05c d100   | 5/6a           |               | NONE         | K-- | NONE |  |
| 91778-0815     | 91778-9107  | NATURAL | NONE   | d30 04c<br>d70 08c  | 5/6a 8/9a      |               | NONE         | K-- | NONE |  |



THIS DRAWING CONTAINS INFORMATION THAT IS PROPRIETARY TO MOLEX ELECTRONIC TECHNOLOGIES, LLC AND SHOULD NOT BE USED WITHOUT WRITTEN PERMISSION

|  |         |                   |                      |
|--|---------|-------------------|----------------------|
| DIMENSION UNITS                                      | SCALE   | CURRENT REV DESC: |                      |
| mm   | 1:1     |                   |                      |
| GENERAL TOLERANCES (UNLESS SPECIFIED)                |         |                   |                      |
| ANGULAR TOL  | ± 0.5°  | EC NO:            | 675846               |
| 4 PLACES   | ±       | DRWN:             | MBN02 2021/08/30     |
| 3 PLACES   | ±       | CHK'D:            | MBN02 2021/08/30     |
| 2 PLACES   | ± 0.05  | APPR:             | SDEVITT 2021/09/28   |
| 1 PLACE  | ± 0.1   | INITIAL REVISION: |                      |
| 0 PLACES   | ±       | DRWN:             | CFISHER01 2016/03/02 |
| DRAFT WHERE APPLICABLE MUST REMAIN WITHIN DIMENSIONS |         | APPR:             | BRUTTLE 2016/11/01   |
| THIRD ANGLE PROJECTION                               | DRAWING | SERIES            | MATERIAL NUMBER      |
|  | A2-SIZE | 91778             | SEE CHARTS           |
| CUSTOMER   |         | DOC TYPE          | DOC PART             |
| GENERAL MARKET                                       |         | PSD               | 000                  |
| SHEET NUMBER   |         | REVISION          |                      |
| 10 OF 11   |         | J2                |                      |

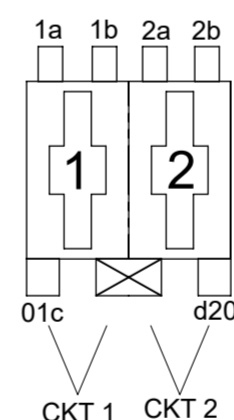
# 11 CIRCUIT

| MOLEX PART NO. | HOUSING NO. | COLOUR  | POSITION KEYS  | CODING KEYS  | LATCH POSITION | CONFIGURATION | COLOUR STRIP | REF | RIBS |
|----------------|-------------|---------|--|--|----------------|---------------|--------------|-----|------|
| 91778-0901     | 91778-9111  | NATURAL | 1a 1b 2a 2b 3a 3b<br>4a 4b 5a 5b 6a 6b<br>7a 7b 8a 8b 9a 9b<br>10a 10b 11a 11b | 01c d10 02c d20 03c<br>d40 05c d50 06c d60<br>07c d70 08c d90 10c<br>d100 11c d110 | 3/4a 8/9a      |               | NONE         | K00 | NONE |
| 91778-0902     | 91778-9111  | NATURAL | 1a 2b 3b 4a<br>4b 5a 7a 8a<br>9a 10a 11a                                       | 01c d40 05c<br>08c 010c  | 3/4a 8/9a      |               | NONE         | K33 | NONE |

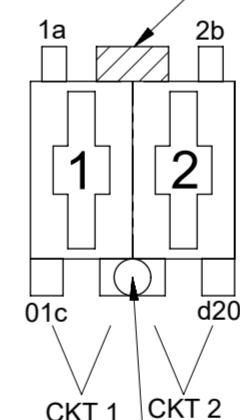
# 12 CIRCUIT

| MOLEX PART NO. | HOUSING NO. | COLOUR  | POSITION KEYS  | CODING KEYS   | LATCH POSITION | CONFIGURATION | COLOUR STRIP | REF | RIBS |
|----------------|-------------|---------|--|---|----------------|---------------|--------------|-----|------|
| 91778-1001     | 91778-9121  | NATURAL | 1a 1b 2a 2b 3a 3b<br>4a 4b 5a 5b 6a 6b<br>7a 7b 8a 8b 9a 9b<br>10a 10b 11a 11b 12a 12b | 01c d10 02c d20 03c<br>d40 05c d50 06c d60<br>07c d70 08c d80 09c<br>d100 11c d110 12c d120 | 3/4a 9/10a     |               | NONE         | K00 | NONE |
| 91778-1002     | 91778-9121  | NATURAL | 1a 2a 4a 4b<br>5a 6b 8a 11a  | 01c 03c 05c 07c<br>d80 d100 11c   | 3/4a 9/10a     |               | NONE         | K41 | NONE |

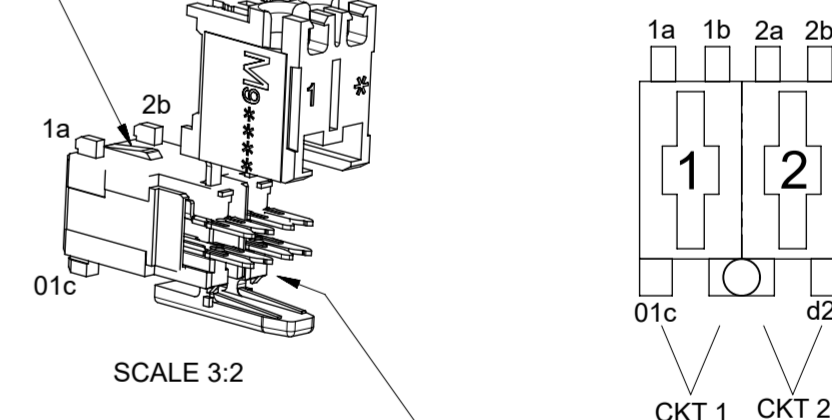
LATCH OPTION  
(a)  
STANDARD LATCH



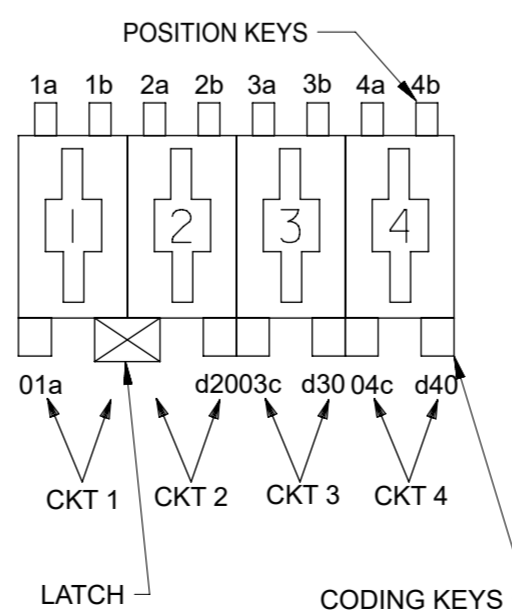
LATCH OPTION  
(b)  
SOLID LATCH



LATCH OPTION  
(c)  
SHORT STANDARD LATCH



KEYING, CODING &  
LATCH IDENTIFICATION  
4 CKT EXAMPLE VIEW IN  
MATING DIRECTION



|   |  |  |  |                          |  |                           |  |                          |  |
|---|--|--|--|--------------------------|--|---------------------------|--|--------------------------|--|
| THIS DRAWING CONTAINS INFORMATION THAT IS PROPRIETARY TO MOLEX ELECTRONIC TECHNOLOGIES, LLC AND SHOULD NOT BE USED WITHOUT WRITTEN PERMISSION |  |  |  |                          |  |                           |  |                          |  |
| DIMENSION UNITS<br><b>mm</b>  |  | SCALE<br><b>1:1</b>  |  | CURRENT REV DESC:        |  |                           |  | <b>molex</b>             |  |
| GENERAL TOLERANCES<br>(UNLESS SPECIFIED)  |  | ANGULAR TOL ± 0.5°   |  | EC NO: 675846            |  |                           |  |                          |  |
| 4 PLACES ±  |  | 3 PLACES ±   |  | 2 PLACES ± 0.05          |  | 1 PLACE ± 0.1             |  | 5MM APPLI-MATE 10A       |  |
| 0 PLACES ±  |  | DRAFT WHERE APPLICABLE<br>MUST REMAIN<br>WITHIN DIMENSIONS |  | THIRD ANGLE PROJECTION   |  | DRAWING<br><b>A2-SIZE</b> |  | SERIES<br><b>91778</b>   |  |
| DOCUMENT NUMBER<br><b>917780001</b>   |  | DOC TYPE<br><b>PSD</b>                                     |  | DOC PART<br><b>000</b>   |  | REVISION<br><b>J2</b>     |  | PRODUCT CUSTOMER DRAWING |  |
| MATERIAL NUMBER<br>SEE CHARTS   |  | CUSTOMER<br>GENERAL MARKET                                 |  | SHEET NUMBER<br>11 OF 11 |  |                           |  |                          |  |