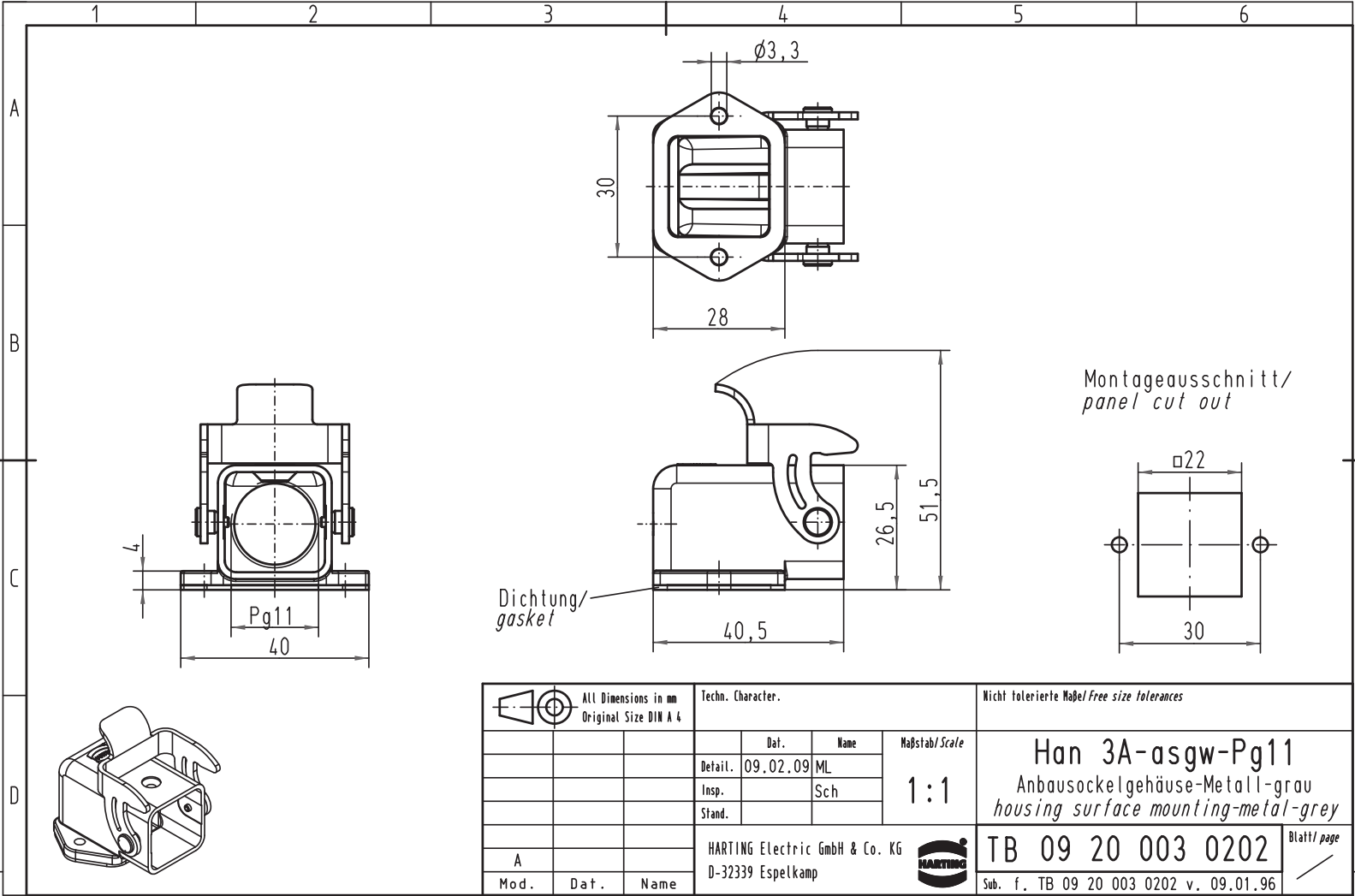


Alle Rechte vorbehalten/ All rights reserved



Montageausschnitt/  
panel cut out

All Dimensions in mm Original Size DIN A 4		Techn. Character.			Nicht tolerierte Maß/Free size tolerances										
		<table border="1"> <tr> <th>Dat.</th> <th>Name</th> <th>Maßstab/Scale</th> </tr> <tr> <td>Detail. 09.02.09</td> <td>ML</td> <td rowspan="3">1:1</td> </tr> <tr> <td>Insp.</td> <td>Sch</td> </tr> <tr> <td>Stand.</td> <td></td> </tr> </table>	Dat.	Name	Maßstab/Scale	Detail. 09.02.09	ML	1:1	Insp.	Sch	Stand.		<b>Han 3A-asgw-Pg11</b> Anbausockelgehäuse-Metall-grau housing surface mounting-metal-grey		
Dat.	Name	Maßstab/Scale													
Detail. 09.02.09	ML	1:1													
Insp.	Sch														
Stand.															
<table border="1"> <tr> <th>A</th> <th>Dat.</th> <th>Name</th> </tr> <tr> <td> </td> <td> </td> <td> </td> </tr> </table>	A	Dat.	Name				HARTING Electric GmbH & Co. KG D-32339 Espelkamp			<b>TB 09 20 003 0202</b> Sub. f. TB 09 20 003 0202 v. 09.01.96					
A	Dat.	Name													
				Blatt/page											