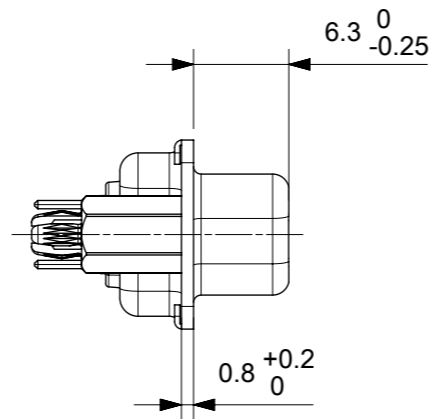
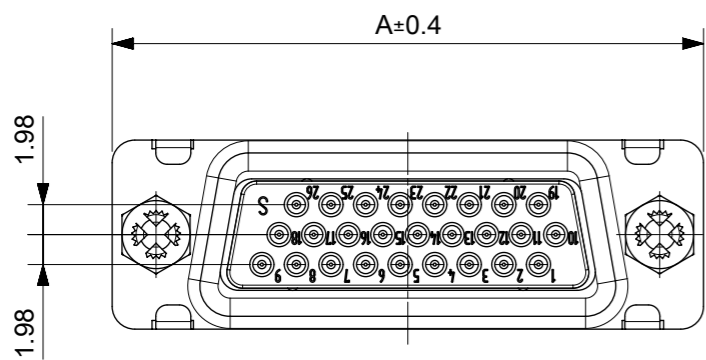


VIEW ON MOUNTING SIDE

ØE, ØF, SEE DATA SHEET INCL. CONNECTOR
ØF, CONNECTORS WITH ACCESSORIES ONLY

THIS DRAWING CONTAINS INFORMATION THAT IS PROPRIETARY TO MOLEX ELECTRONIC TECHNOLOGIES, LLC AND SHOULD NOT BE USED WITHOUT WRITTEN PERMISSION

EC NO: 115307 DRWN: RLALSANGI CHK'D: APPR: KPRASAD	2017/03/31	GENERAL TOLERANCES (UNLESS SPECIFIED)	DIMENSION UNITS	SCALE	molex PCB HOLE PATTERN FOR HIGH-DENSITY, RCPT STRAIGHT			
	2017/04/03		MM	1:1				
			DRWN BY	DATE				
			RLALSANGI	2017/03/30				
			CHK'D BY	DATE				
	CHK'D BY							
	APPR BY	DATE			PRODUCT CUSTOMER DRAWING			
	KPRASAD	2017/03/31			SERIES	MATERIAL NUMBER	CUSTOMER	
					173113	NOT APPLICABLE	GENERAL MARKET	
			DRAWING SIZE	THIRD ANGLE PROJECTION	DOCUMENT NUMBER	DOC TYPE	DOC PART	SHEET NUMBER
			A3		1731130000	PSD	000	1 OF 1



RoHS COMPLIANT BY EXEMPTION

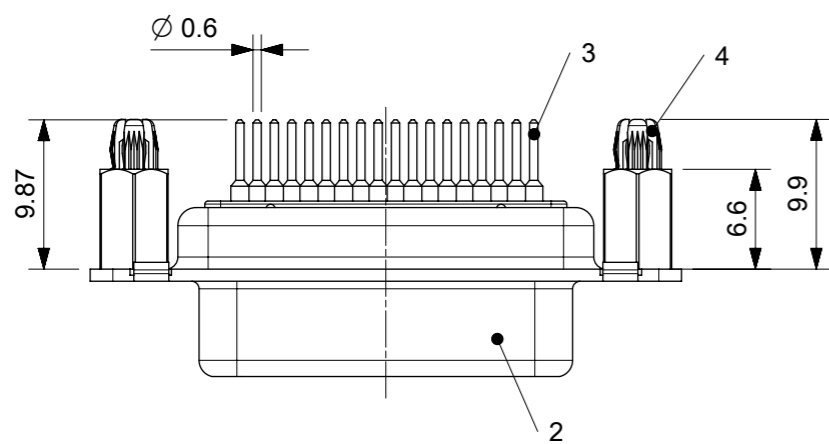


TABLE FOR PART NUMBERS

MOLEX PART#	FCT PART#	X-X	A [mm]	B [mm]	C [mm]	E [mm]	F [mm]	NO. OF CONTACTS 1./2./3. ROW
1731130145	F15-26S1G0-5337	15-26	39.1	24.7	33.3	Ø1	Ø3	9/9/8

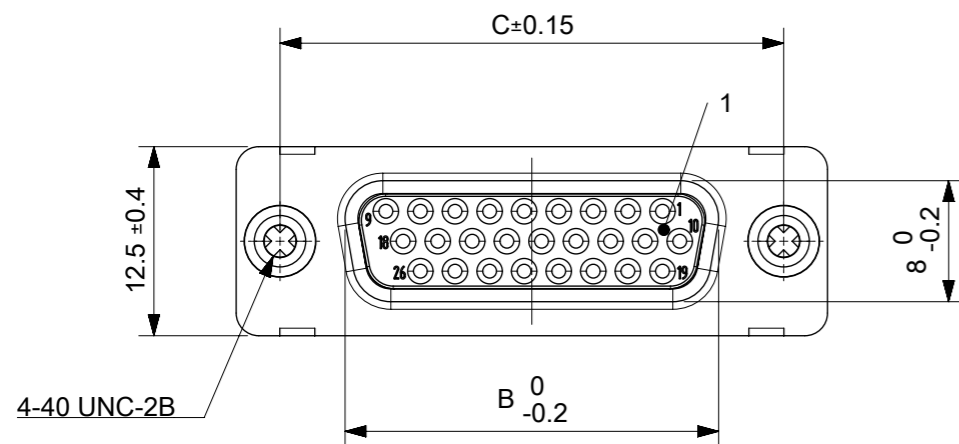
X-X NO. OF CONTACTS 09-15, 15-26, 25-44

*PCB HOLE PATTERNS, ØE, ØF, ON SUPPLEMENT 1731130000

TABLE FOR GENERAL TOLERANCES

PERMISSIBLE DEVIATIONS FOR BASIC SIZE RANGE				
0.5 UPTO	OVER 3 UPTO	OVER 6 UPTO	OVER 30 UPTO	OVER 120 UPTO
3	6	30	120	400
±0.1	±0.1	±0.2	±0.3	±0.5

4	2	SNAP-IN BOLT	PCB 1.6MM / BRASS	TIN PLATED
3	X-X	SIGNAL CONTACT, MACHINED	HS1 / BRASS	0.8µm Au
2	1	SHELL	STEEL	TIN PLATED
1	1	INSULATOR	THERMOPLASTIC, GF	BLACK
NO.	St.	PART	TYPE DESCRIPTION/MATERIAL	SURFACE PLATING/COLOUR/CLASS



THIS DRAWING CONTAINS INFORMATION THAT IS PROPRIETARY TO MOLEX ELECTRONIC TECHNOLOGIES, LLC AND SHOULD NOT BE USED WITHOUT WRITTEN PERMISSION

DIMENSION UNITS mm	SCALE 2:1	CURRENT REV DESC: OBSOLETE PART NUMBER AS PER PCN#509451	<p>HDP HIGH DENSITY D-SUB STRAIGHT PCB CONNECTOR WITH MACHINED FEMALE SOCKET CONTACTS</p>			
GENERAL TOLERANCES (UNLESS SPECIFIED)		EC NO: 686785 DRWN: SUGEEB CHK'D: GGA APPR: GGA				2021/09/08 2022/02/28 2022/02/28
ANGULAR TOL ± °	4 PLACES ±	INITIAL REVISION:	DOCUMENT NUMBER	DOC TYPE	DOC PART	REVISION
3 PLACES ±	2 PLACES ±	DRWN: RLANSANGI APPR: KPRASAD	1731130144	PSD	000	A4
1 PLACE ±	0 PLACES ±	THIRD ANGLE PROJECTION	MATERIAL NUMBER	CUSTOMER	SHEET NUMBER	
DRAFT WHERE APPLICABLE MUST REMAIN WITHIN DIMENSIONS		DRAWING A3-SIZE	SERIES 173113	SEE TABLE	GENERAL MARKET	1 OF 1