

MACX MCR-EX-TC-I - Temperature measuring transducer



1050233

<https://www.phoenixcontact.com/pc/products/1050233>

Please be informed that the data shown in this PDF document is generated from our online catalog. Please find the complete data in the user documentation. Our general terms of use for downloads are valid.



Ex i temperature transducer: converts signals from thermocouples installed in Ex areas and mV sources and transmits a 0/4...20 mA signal to a load in the safe area. Freely programmable. 3-way isolation, screw connection, SIL.

Your advantages

- Input for thermocouples and mV sources
- Power supply possible via DIN rail connector
- Programming during operation with Ex measuring circuit connected and also voltage-free using IFS-USB-PROG-ADAPTER programming adapter
- Installation in zone 2, protection type "ec" (EN 60079-7) permitted
- 3-way electrical isolation
- Status indicator for supply voltage, cable, sensor, and module errors
- Configuration via software (FDT/DTM): sensor type, connection technology, measuring range, measuring unit, filter, alarm signal, and output range
- Output: 0 mA ... 20 mA or 4 mA ... 20 mA

Commercial data

Item number	1050233
Packing unit	1 pc
Minimum order quantity	1 pc
Product key	CK3121
Catalog page	Page 148 (C-5-2019)
GTIN	4055626663463
Weight per piece (including packing)	184.1 g
Weight per piece (excluding packing)	150 g
Customs tariff number	85437090
Country of origin	DE

MACX MCR-EX-TC-I - Temperature measuring transducer



1050233

<https://www.phoenixcontact.com/pc/products/1050233>

Technical data

Notes

Utilization restriction

EMC note	EMC: class A product, see manufacturer's declaration in the download area
----------	---

Product properties

Product type	Temperature transmitter
Product family	MACX Analog
Application	Temperature
No. of channels	1
Type	Ex i signal conditioners with SIL functional safety
Configuration	Software

Insulation characteristics: GB Standard

Overvoltage category	II
Pollution degree	2

Electrical properties

No. of channels	1
Electrical isolation	3-way isolation
Electrical isolation between input and output	No
Cold point error, max.	± 2 K
Step response (0–99%)	1 s ≤ 1.7 s
Temperature coefficient, typical	0.01 %/K
Transmission error, typical	0.1 % (For full identification of transmission errors, see the data sheet)

Electrical isolation Input/output/power supply

Rated insulation voltage	300 V _{rms}
Test voltage	2.5 kV AC (50 Hz, 60 s)
Insulation	Safe isolation in accordance with IEC/EN 61010-1

Electrical isolation Input/output

Electrical isolation	375 V (Peak value in accordance with IEC/EN 60079-11)
----------------------	---

Electrical isolation Input/power supply

Electrical isolation	375 V (Peak value in accordance with IEC/EN 60079-11)
----------------------	---

Supply

Nominal supply voltage	24 V DC
Supply voltage range	19.2 V DC ... 30 V DC (24 V DC, -20 % ... +25 %)
Max. current consumption	< 40 mA (24 V DC)
Power dissipation	≤ 0.76 W

MACX MCR-EX-TC-I - Temperature measuring transducer



1050233

<https://www.phoenixcontact.com/pc/products/1050233>

Power consumption	≤ 1 W
-------------------	-------

Input data

Signal

Number of inputs	1
Input signal	Temperature
	Voltage

Measurement

Description of the input	Intrinsically safe
Sensor types that can be used (TC)	B, E, J, K, N, R, S, T, L, U, C, D, A-1, A-2, A-3, M, Lr
Temperature measuring range	-250 °C ... 2500 °C (Range depending on the sensor type)
Sensor type:	500 °C ... 1820 °C
	-230 °C ... 1000 °C
	-210 °C ... 1200 °C
	-250 °C ... 1372 °C
	-200 °C ... 1300 °C
	-50 °C ... 1768 °C
	-50 °C ... 1768 °C
	-200 °C ... 400 °C
	-200 °C ... 900 °C
	-200 °C ... 600 °C
	0 °C ... 2315 °C
	0 °C ... 2315 °C
	0 °C ... 2500 °C
	0 °C ... 1800 °C
	0 °C ... 1800 °C
Linear mV signal range	-1000 mV ... 1000 mV
Temperature measuring range	Min. 50 K with thermocouple, 10% of the nominal span of the respective range with mV sources

Output data

Signal: Current

Number of outputs	1
Configurable/programmable	Yes
Current output signal	0 mA ... 20 mA
	4 mA ... 20 mA (SIL)
Load/output load current output	≤ 600 Ω
Output ripple (current)	< 15 μA _{PP}
	< 10 μA _{rms}
Behavior in the event of a sensor error	As per NE 43 or can be freely defined

MACX MCR-EX-TC-I - Temperature measuring transducer



1050233

<https://www.phoenixcontact.com/pc/products/1050233>

Connection data

Connection method	Screw connection
Stripping length	7 mm
Screw thread	M3
Conductor cross section rigid	0.2 mm ² ... 2.5 mm ²
Conductor cross section flexible	0.2 mm ² ... 2.5 mm ²
Conductor cross section AWG	24 ... 14
Tightening torque	0.5 Nm ... 0.6 Nm

Ex data

Ex installation (EPL)	Gc
	Div. 2
Ex i circuits (EPL)	Ga
	Da
	Ma
	Div. 1

Safety data: Terminals: 4.1, 4.2, 5.1, 5.2

Max. internal capacitance C_i	44 nF	
Max. output voltage U_o	6 V	
Max. output current I_o	4.3 mA (mV)	
	7.1 mA (TC with internal cold junction compensation)	
	16.8 mA (TC with external cold junction, TC and cold junction connected)	
Max. output power P_o	25.2 mW (Linear)	
	253 V AC	
	125 V DC	
Safety-related maximum voltage U_m	30 V DC (Zone 2: 3.1, 3.2)	
	IIA/I (simple circuit): Max. external inductivity L_o / Max. external capacitance C_o	850 mH / 1000 μ F
	IIB/IIIC (simple circuit): Max. external inductivity L_o / Max. external capacitance C_o	460 mH / 1000 μ F
IIC (simple circuit): Max. external inductivity L_o / Max. external capacitance C_o	100 mH / 40 μ F	
IIB/IIA (mixed circuit): Max. external inductivity L_o / Max. external capacitance C_o	100 mH / 950 nF, 50 mH / 950 nF, 5 mH / 950 nF, 1 mH / 950 nF	
IIIC/I (mixed circuit): Max. external inductivity L_o / Max. external capacitance C_o	100 mH / 950 nF, 50 mH / 950 nF, 5 mH / 950 nF, 1 mH / 950 nF	
IIC (mixed circuit): Max. external inductivity L_o / Max. external capacitance C_o	100 mH / 555 nF, 50 mH / 555 nF, 5 mH / 555 nF, 1 mH / 555 nF, 10 μ H / 555 nF	

Safety data: μ USB interface

Input voltage U_i	7 V
Input current I_i	100 mA
Input power P_i	550 mW
Max. internal capacitance C_i	47 μ F

MACX MCR-EX-TC-I - Temperature measuring transducer



1050233

<https://www.phoenixcontact.com/pc/products/1050233>

Max. output voltage U_o	3.5 V
Max. output current I_o	400 mA
Max. output power P_o	350 mW
IIC: Max. external inductivity L_o / Max. external capacitance C_o	20 μ H / 2 μ F

Signaling

Status display	Green LED (supply voltage)
	Red LED, flashing 2.4 Hz (cable error, sensor error on input or output, ERR)
	Red LED, flashing 1.2 Hz (service operation, ERR)
	Red LED, permanently on (module error, ERR)

Dimensions

Width	12.5 mm
Height	112.5 mm
Depth	113.7 mm
Depth NS 35/7,5	114.5 mm (Snapped onto DIN rail NS 35/7,5 in accordance with EN 60715)

Material specifications

Flammability rating according to UL 94	V0 (Housing)
Housing material	PA 6.6-FR

Environmental and real-life conditions

Ambient conditions

Degree of protection	IP20
Ambient temperature (operation)	-40 °C ... 70 °C (Any mounting position)
Ambient temperature (storage/transport)	-40 °C ... 80 °C
Permissible humidity (operation)	5 % ... 95 % (non-condensing)

Altitude range (≤ 2000 m)

Altitude	≤ 2000 m (The technical data refers to altitudes ≤ 2000 m above mean sea level. For altitudes >2000 m above mean sea level, refer to the data sheet.)
Ambient temperature (operation)	-40 °C ... 70 °C
Test voltage	2.5 kV
Rated insulation voltage	300 V_{rms} (IEC/EN 60079-11)
	375 V_{pp} (IEC/EN 60079-11)

Altitude range (≤ 3000 m)

Height range	> 2000 m ... 3000 m
Ambient temperature (operation)	-40 °C ... 60 °C
Test voltage	2.25 kV
Safety-related maximum voltage U_m	190 V AC
	110 V DC
Rated insulation voltage	190 V_{rms} (IEC/EN 60079-11)

MACX MCR-EX-TC-I - Temperature measuring transducer



1050233

<https://www.phoenixcontact.com/pc/products/1050233>

Altitude range (≤ 4000 m)

Height range	> 3000 m ... 4000 m
Ambient temperature (operation)	-40 °C ... 55 °C
Test voltage	2 kV
Safety-related maximum voltage U_m	60 V AC/DC
Rated insulation voltage	60 V _{rms} (IEC/EN 60079-11)

Altitude range (≤ 5000 m)

Height range	> 4000 m ... 5000 m
Ambient temperature (operation)	-40 °C ... 49 °C
Test voltage	1.75 kV
Safety-related maximum voltage U_m	60 V AC/DC
Rated insulation voltage	60 V _{rms} (IEC/EN 60079-11)

Approvals

CE

Certificate	CE-compliant
Note	and EN 61326

ATEX

Identification	⊕ I (M1) [Ex ia Ma] I
	⊕ II (1) G [Ex ia Ga] IIC
	⊕ II (1) D [Ex ia Da] IIIC
	⊕ II 3(1) G Ex ec ic [ia Ga] IIC T4 Gc
Certificate	IBExU19ATEX1006 X

UKCA Ex (UKEX)

Identification	⊕ I (M1) [Ex ia Ma] I
	⊕ II (1) G [Ex ia Ga] IIC
	⊕ II (1) D [Ex ia Da] IIIC
	⊕ II 3 (1) G Ex ec ic [ia Ga] IIC T4 Gc
Certificate	CML 22UKEX3531X

IECEX

Identification	[Ex ia Ma] I
	[Ex ia Ga] IIC
	[Ex ia Da] IIIC
	Ex ec ic [ia Ga] IIC T4 Gc
Certificate	IECEX IBE 19.0001 X

CCC / China-Ex

Identification	[Ex ia Ga] IIC
	[Ex iaD]
	Ex nA ic [ia Ga] IIC T4 Gc
Certificate	NEPSI GYJ20.1305X

MACX MCR-EX-TC-I - Temperature measuring transducer



1050233

<https://www.phoenixcontact.com/pc/products/1050233>

UL, USA/Canada

Identification	UL 61010 Listed
	Class I Div 2; IS for Class I, II, III Div 1
Certificate	UL C.D.-No 83104549

Shipbuilding approval

Certificate	DNV GL TAA00000AG
-------------	-------------------

Safety Integrity Level (SIL, IEC 61508)

Identification	2
----------------	---

INMETRO

Identification	[Ex ia Ma] I
	[Ex ia Ga] IIC
	[Ex ia Da] IIIC
	Ex ec ic [ia Ga] IIC T4 Gc
Certificate	DNV 21.0064 X

EAC Ex

Identification	Ex [Ex ia Ga] IIC
	Ex [Ex ia Da] IIIC
Certificate	RU C-DE.AB72.B.00093/19

DNV GL data

Temperature	B
Humidity	B
Vibration	A
EMC	B
Enclosure	Required protection according to the Rules shall be provided upon installation on board

EMC data

Noise immunity	EN 61000-6-2
Note	When being exposed to interference, there may be minimal deviations.
Electromagnetic compatibility	Conformance with EMC directive
Noise emission	EN 61000-6-4

Electromagnetic HF field

Designation	Electromagnetic RF field
Standards/regulations	EN 61000-4-3
Typical deviation from the measuring range final value	1 %

Fast transients (burst)

Designation	Fast transients (burst)
Standards/regulations	EN 61000-4-4
Typical deviation from the measuring range final value	1 %

MACX MCR-EX-TC-I - Temperature measuring transducer



1050233

<https://www.phoenixcontact.com/pc/products/1050233>

Conducted interference

Designation	Conducted interferences
Standards/regulations	EN 61000-4-6
Typical deviation from the measuring range final value	1 %

Standards and regulations

Electrical isolation	3-way isolation
----------------------	-----------------

GB Standard

Standards/regulations	GB 3626.20
	GB 3836.1
	GB 3836.4
	GB 3836.8
	GB 12476.1
	GB 12476.4

Mounting

Mounting type	DIN rail mounting
---------------	-------------------

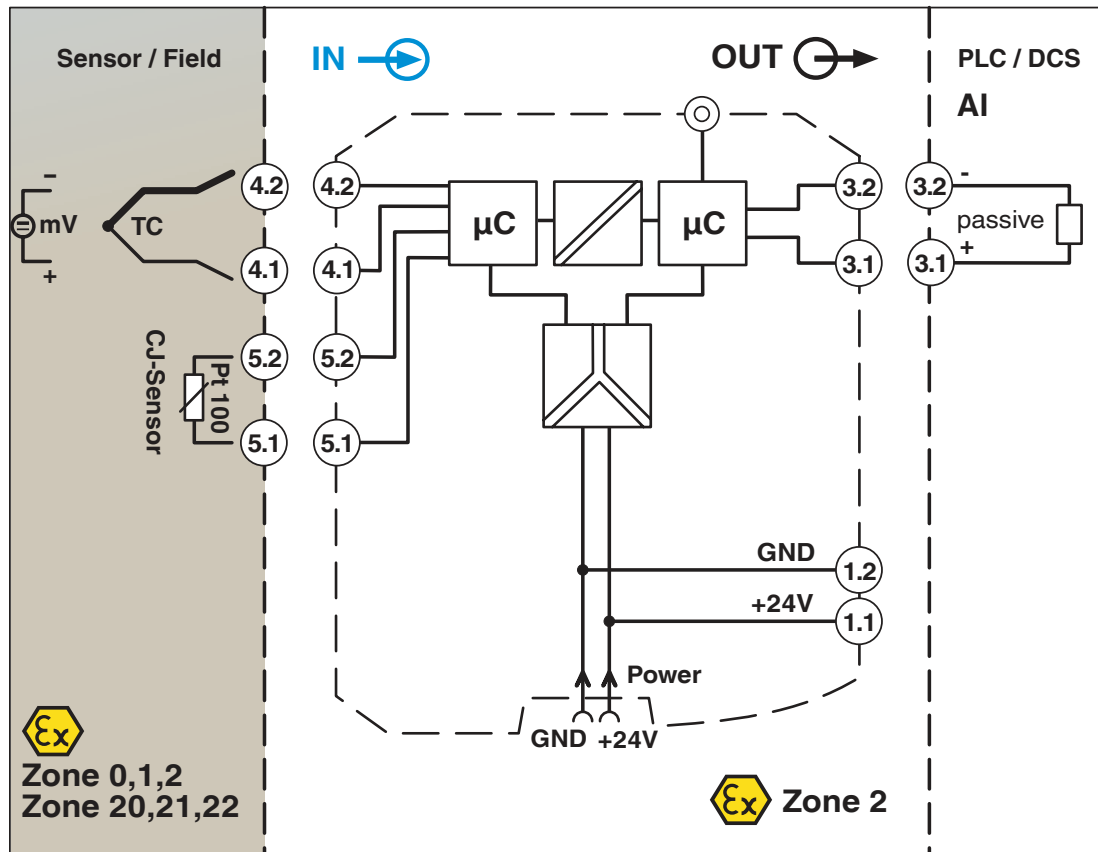
MACX MCR-EX-TC-I - Temperature measuring transducer

1050233

<https://www.phoenixcontact.com/pc/products/1050233>

Drawings

Block diagram



MACX MCR-EX-TC-I - Temperature measuring transducer



1050233

<https://www.phoenixcontact.com/pc/products/1050233>

Approvals

To download certificates, visit the product detail page: <https://www.phoenixcontact.com/pc/products/1050233>



DNV GL

Approval ID: TAA00000AG



UL Listed

Approval ID: FILE E 330267



cUL Listed

Approval ID: FILE E 330267



Functional Safety

Approval ID: SEBS-A.150520/17 V1



EAC Ex

Approval ID: RU C-DE.AB72.B.00093



IECEX

Approval ID: IECEX IBE 19.0001X



cUL Listed

Approval ID: FILE E 199827



UL Listed

Approval ID: FILE E 199827



ATEX

Approval ID: IBExU 19 ATEX 1006 X



IECEX

Approval ID: IECEX IBE 19.0001X

INMETRO

Approval ID: DNV 21.0064 X

MACX MCR-EX-TC-I - Temperature measuring transducer



1050233

<https://www.phoenixcontact.com/pc/products/1050233>

cULus Listed

cULus Listed

MACX MCR-EX-TC-I - Temperature measuring transducer



1050233

<https://www.phoenixcontact.com/pc/products/1050233>

Classifications

ECLASS

ECLASS-11.0	27210129
ECLASS-12.0	27210129
ECLASS-13.0	27210129

ETIM

ETIM 8.0	EC002919
----------	----------

UNSPSC

UNSPSC 21.0	41112100
-------------	----------

MACX MCR-EX-TC-I - Temperature measuring transducer



1050233

<https://www.phoenixcontact.com/pc/products/1050233>

Environmental product compliance

REACH SVHC	Lead 7439-92-1
China RoHS	Environmentally Friendly Use Period = 50 years
	For information on hazardous substances, refer to the manufacturer's declaration available under "Downloads"

MACX MCR-EX-TC-I - Temperature measuring transducer

1050233

<https://www.phoenixcontact.com/pc/products/1050233>

Accessories

ME 6,2 TBUS-2 1,5/5-ST-3,81 GY - DIN rail bus connectors

2695439

<https://www.phoenixcontact.com/pc/products/2695439>



DIN rail connector (TBUS), 5-pos., for bridging the supply voltage, can be snapped onto NS 35/... DIN rail in accordance with EN 60715

IOA MCR-CJC-PT100 - Plug

1085776

<https://www.phoenixcontact.com/pc/products/1085776>



Plug for cold junction compensation for thermocouples, in combination with MACX MCR(-EX)-TC... temperature transducers

MACX MCR-EX-TC-I - Temperature measuring transducer

1050233

<https://www.phoenixcontact.com/pc/products/1050233>

EA-MSTB 2,5/ 5 - Accessories

1831016

<https://www.phoenixcontact.com/pc/products/1831016>

Filler plug, Accessories, product range: Accessories, width: 24.6 mm



TC-D37SUB-AIO16-EX-PS-UNI - Module carrier

2902932

<https://www.phoenixcontact.com/pc/products/2902932>



Universal termination carrier for connecting 16 MACX Analog Ex i signal conditioners to digital or analog I/O cards, via D-SUB connector, 37-pos. (1:1 connection), with HART multiplexer connection

MACX MCR-EX-TC-I - Temperature measuring transducer

1050233

<https://www.phoenixcontact.com/pc/products/1050233>

TC-D37SUB-ADIO16-EX-P-UNI - Module carrier

2924854

<https://www.phoenixcontact.com/pc/products/2924854>



Universal termination carrier for connecting 16 MACX Analog Ex i signal conditioners to digital or analog I/O cards, via D-SUB connector, 37-pos. (1:1 connection)

IFS-USB-PROG-ADAPTER - Programming adapter

2811271

<https://www.phoenixcontact.com/pc/products/2811271>



Programming adapter with USB interface, for programming with software. The USB driver is included in the software solutions for the products to be programmed, such as measuring transducers or motor managers.

MACX MCR-EX-TC-I - Temperature measuring transducer

1050233

<https://www.phoenixcontact.com/pc/products/1050233>

IFS-BT-PROG-ADAPTER - Adapter

2905872

<https://www.phoenixcontact.com/pc/products/2905872>

Bluetooth adapter with micro USB and S-PORT interface for wireless communication with the MINI Analog, MINI Analog Pro, MACX Analog, Interface System Gateways, and PLC logic device series.



MPS-IH WH - Insulating sleeve

0201663

<https://www.phoenixcontact.com/pc/products/0201663>

Insulating sleeve, color: white



MACX MCR-EX-TC-I - Temperature measuring transducer

1050233

<https://www.phoenixcontact.com/pc/products/1050233>

MPS-IH RD - Insulating sleeve

0201676

<https://www.phoenixcontact.com/pc/products/0201676>

Insulating sleeve, color: red



MPS-IH BU - Insulating sleeve

0201689

<https://www.phoenixcontact.com/pc/products/0201689>

Insulating sleeve, color: blue



MACX MCR-EX-TC-I - Temperature measuring transducer

1050233

<https://www.phoenixcontact.com/pc/products/1050233>

MPS-IH YE - Insulating sleeve

0201692

<https://www.phoenixcontact.com/pc/products/0201692>

Insulating sleeve, color: yellow



MPS-IH GN - Insulating sleeve

0201702

<https://www.phoenixcontact.com/pc/products/0201702>

Insulating sleeve, color: green



MACX MCR-EX-TC-I - Temperature measuring transducer

1050233

<https://www.phoenixcontact.com/pc/products/1050233>

MPS-IH GY - Insulating sleeve

0201728

<https://www.phoenixcontact.com/pc/products/0201728>

Insulating sleeve, color: gray



MPS-IH BK - Insulating sleeve

0201731

<https://www.phoenixcontact.com/pc/products/0201731>

Insulating sleeve, color: black



MACX MCR-EX-TC-I - Temperature measuring transducer

1050233

<https://www.phoenixcontact.com/pc/products/1050233>

MPS-MT - Test plugs

0201744

<https://www.phoenixcontact.com/pc/products/0201744>



Test plugs, with solder connection up to 1 mm² conductor cross section, number of positions: 1, color: gray

UC-EMLP (11X9) - Plastic label

0819291

<https://www.phoenixcontact.com/pc/products/0819291>



Plastic label, Sheet, white, unlabeled, can be labeled with: BLUEMARK ID COLOR, BLUEMARK ID, BLUEMARK CLED, PLOTMARK, CMS-P1-PLOTTER, mounting type: adhesive, lettering field size: 11 x 9 mm, Number of individual labels: 10

MACX MCR-EX-TC-I - Temperature measuring transducer

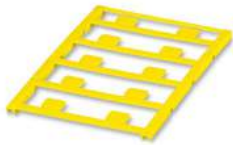
1050233

<https://www.phoenixcontact.com/pc/products/1050233>

UC-EMLP (11X9) YE - Plastic label

0822602

<https://www.phoenixcontact.com/pc/products/0822602>



Plastic label, Sheet, yellow, unlabeled, can be labeled with: BLUEMARK ID COLOR, BLUEMARK ID, BLUEMARK CLED, PLOTMARK, CMS-P1-PLOTTER, mounting type: adhesive, lettering field size: 11 x 9 mm, Number of individual labels: 10

UC-EMLP (11X9) CUS - Plastic label

0824547

<https://www.phoenixcontact.com/pc/products/0824547>



Plastic label, can be ordered: by sheet, white, labeled according to customer specifications, mounting type: adhesive, lettering field size: 11 x 9 mm

MACX MCR-EX-TC-I - Temperature measuring transducer

1050233

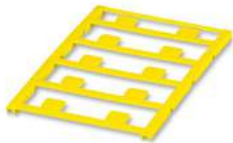
<https://www.phoenixcontact.com/pc/products/1050233>

UC-EMLP (11X9) YE CUS - Plastic label

0824548

<https://www.phoenixcontact.com/pc/products/0824548>

Plastic label, can be ordered: by sheet, yellow, labeled according to customer specifications, mounting type: adhesive, lettering field size: 11 x 9 mm



UC-EMLP (11X9) SR - Plastic label

0828094

<https://www.phoenixcontact.com/pc/products/0828094>

Plastic label, Sheet, silver, unlabeled, can be labeled with: BLUEMARK ID COLOR, BLUEMARK ID, BLUEMARK CLED, PLOTMARK, CMS-P1-PLOTTER, mounting type: adhesive, lettering field size: 11 x 9 mm, Number of individual labels: 10



MACX MCR-EX-TC-I - Temperature measuring transducer

1050233

<https://www.phoenixcontact.com/pc/products/1050233>

UC-EMLP (11X9) SR CUS - Plastic label

0828098

<https://www.phoenixcontact.com/pc/products/0828098>



Plastic label, can be ordered: by sheet, silver, labeled according to customer specifications, mounting type: adhesive, lettering field size: 11 x 9 mm, Number of individual labels: 10

US-EMLP (11X9) - Plastic label

0828789

<https://www.phoenixcontact.com/pc/products/0828789>



Plastic label, Card, white, unlabeled, can be labeled with: BLUEMARK ID COLOR, BLUEMARK ID, THERMOMARK PRIME, THERMOMARK CARD 2.0, THERMOMARK CARD, mounting type: adhesive, lettering field size: 11 x 9 mm, Number of individual labels: 135

MACX MCR-EX-TC-I - Temperature measuring transducer



1050233

<https://www.phoenixcontact.com/pc/products/1050233>

US-EMLP (11X9) YE - Plastic label

0828871

<https://www.phoenixcontact.com/pc/products/0828871>



Plastic label, Card, yellow, unlabeled, can be labeled with: BLUEMARK ID COLOR, BLUEMARK ID, THERMOMARK PRIME, THERMOMARK CARD 2.0, THERMOMARK CARD, mounting type: adhesive, lettering field size: 11 x 9 mm, Number of individual labels: 135

US-EMLP (11X9) SR - Plastic label

0828872

<https://www.phoenixcontact.com/pc/products/0828872>



Plastic label, Card, silver, unlabeled, can be labeled with: BLUEMARK ID COLOR, BLUEMARK ID, THERMOMARK PRIME, THERMOMARK CARD 2.0, THERMOMARK CARD, mounting type: adhesive, lettering field size: 11 x 9 mm, Number of individual labels: 135

MACX MCR-EX-TC-I - Temperature measuring transducer

1050233

<https://www.phoenixcontact.com/pc/products/1050233>

LS-EMLP (11X9) WH - Device marker

0831678

<https://www.phoenixcontact.com/pc/products/0831678>

Device marker, Sheet, white, unlabeled, can be labeled with: TOPMARK NEO, TOPMARK LASER, mounting type: adhesive, lettering field size: 11 x 9 mm, Number of individual labels: 255



LS-EMLP (11X9) SR - Device marker

0831705

<https://www.phoenixcontact.com/pc/products/0831705>

Device marker, Sheet, silver, unlabeled, can be labeled with: TOPMARK NEO, TOPMARK LASER, mounting type: adhesive, lettering field size: 11 x 9 mm, Number of individual labels: 255



MACX MCR-EX-TC-I - Temperature measuring transducer

1050233

<https://www.phoenixcontact.com/pc/products/1050233>

LS-EMLP (11X9) YE - Device marker

0831732

<https://www.phoenixcontact.com/pc/products/0831732>

Device marker, Sheet, yellow, unlabeled, can be labeled with: TOPMARK NEO, TOPMARK LASER, mounting type: adhesive, lettering field size: 11 x 9 mm, Number of individual labels: 255



MACX MCR-PTB - Power and error message module

2865625

<https://www.phoenixcontact.com/pc/products/2865625>

Power and fault signaling module with screw connection, including corresponding ME 17,5 TBUS 1,5/ 5-ST-3,81 GY DIN rail connector



MACX MCR-EX-TC-I - Temperature measuring transducer

1050233

<https://www.phoenixcontact.com/pc/products/1050233>

MACX MCR-PTB-SP - Power and error message module

2924184

<https://www.phoenixcontact.com/pc/products/2924184>



Power and fault signaling module with Push-in connection, including corresponding ME 17,5 TBUS 1,5/ 5-ST-3,81 GY DIN rail connector

QUINT4-SYS-PS/1AC/24DC/2.5/SC - Power supply unit

2904614

<https://www.phoenixcontact.com/pc/products/2904614>



Primary-switched power supply, QUINT POWER, screw connection, DIN rail mounting, supply of devices possible via the TBUS DIN rail connector, protective coating, input: single-phase, output: 24 V DC/2.5 A

MACX MCR-EX-TC-I - Temperature measuring transducer



1050233

<https://www.phoenixcontact.com/pc/products/1050233>

SZS 0,6X3,5 - Screwdriver

1205053

<https://www.phoenixcontact.com/pc/products/1205053>



Actuation tool, for ST terminal blocks, insulated, also suitable for use as a bladed screwdriver, size: 0.6 x 3.5 x 100 mm, 2-component grip, with non-slip grip

Phoenix Contact 2023 © - all rights reserved

<https://www.phoenixcontact.com>

PHOENIX CONTACT GmbH & Co. KG

Flachsmarktstraße 8

D-32825 Blomberg

+49 (0) 5235-3 00

info@phoenixcontact.com