

**NOTES**

1. MATERIAL
 

HOUSING	LIQUID CRYSTAL POLYMER GLASS FILLED,UL94V-0(BEIGE)	4. FITTING NAIL FOR PREVENTION OF PEELING OF P.C.B. PATTERN.
ACTUATOR	PPS GLASS FILLED, UL94V-0(BLACK)	5. R0.3 MUST NOT BE OVERLAPPED TO PATTERN OF FPC/FFC.
TERMINAL	PHOSPHOR BRONZE	6. N: CIRCUIT.
FITTING NAIL	PHOSPHOR BRONZE	7. ELV AND RoHS COMPLIANT
2. PLATING
 

TERMINAL	CONTACT AREA : SEPARATED GOLD PLATING (0.05 MICROMETER MINIMUM) SOLDER TAIL AREA : SEPARATED GOLD PLATING UNDERPLATE : NICKEL OVERALL (1.0 MICROMETER MINIMUM)	8. TAILS AND NAILS COPLANALITY TO BE 0.1mm MAX.
FITTING NAIL	TIN PLATING (1.0 MICROMETER MIN.) UNDER PLATING : NICKEL PLATING (1.0 MICROMETER MIN.)	
3. IN THE PACKAGE, ACTUATOR OF PART 104060-\*\*10 SHOULD BE CLOSED.

10.5	13.1	9.5	14.7	104060-2017	20
D	C	B	A	ORDER No.	CIRCUIT

REVISED EC NO: KOR2013-0042 DRWN:HJJEONG 2013/05/30 CHKD: APPR:YSKIM02 2013/05/30	QUALITY SYMBOLS ▽=0 ◻=0	GENERAL TOLERANCES (UNLESS SPECIFIED)	DIMENSION STYLE <b>MM ONLY</b>	SCALE <b>8:1</b>	DESIGN UNITS <b>METRIC</b>	THIRD ANGLE PROJECTION																																									
		<table border="1" style="width: 100%; border-collapse: collapse;"> <thead> <tr> <th></th> <th>mm</th> <th>INCH</th> </tr> </thead> <tbody> <tr> <td>4 PLACES</td> <td>± ---</td> <td>± ---</td> </tr> <tr> <td>3 PLACES</td> <td>± ---</td> <td>± ---</td> </tr> <tr> <td>2 PLACES</td> <td>± ---</td> <td>± ---</td> </tr> <tr> <td>1 PLACE</td> <td>± 0.3</td> <td>± ---</td> </tr> </tbody> </table>		mm	INCH	4 PLACES	± ---	± ---	3 PLACES	± ---	± ---	2 PLACES	± ---	± ---	1 PLACE	± 0.3	± ---	<table border="1" style="width: 100%; border-collapse: collapse;"> <thead> <tr> <th>DRAWN BY</th> <th>DATE</th> <th>TITLE</th> </tr> </thead> <tbody> <tr> <td>YR.KIM</td> <td>2009/06/26</td> <td rowspan="4" style="text-align: center; vertical-align: middle;"> <b>0.5 FFC E/O DUAL CONTACT HOUSING ASS'Y</b> </td> </tr> <tr> <td>CHECKED BY</td> <td>DATE</td> </tr> <tr> <td>KS.KIM</td> <td>2009/06/26</td> </tr> <tr> <td>APPROVED BY</td> <td>DATE</td> </tr> <tr> <td>YS00.KIM</td> <td>2009/06/26</td> <td style="text-align: center;"> <b>MOLEX INCORPORATED</b> </td> </tr> <tr> <td colspan="2">MATERIAL NO.</td> <td>DOCUMENT NO.</td> </tr> <tr> <td colspan="2" style="text-align: center;">         DRAFT WHERE APPLICABLE MUST REMAIN WITHIN DIMENSIONS       </td> <td style="text-align: center;">         SEE TABLE       </td> <td style="text-align: center;">         SD-104060-002       </td> <td style="text-align: center;">         SHEET NO.          1 OF 3       </td> </tr> <tr> <td colspan="3">         SIZE  <b>A3</b> </td> <td colspan="3" style="text-align: center;">         THIS DRAWING CONTAINS INFORMATION THAT IS PROPRIETARY TO MOLEX INCORPORATED AND SHOULD NOT BE USED WITHOUT WRITTEN PERMISSION       </td> </tr> </tbody></table>	DRAWN BY	DATE	TITLE	YR.KIM	2009/06/26	<b>0.5 FFC E/O DUAL CONTACT HOUSING ASS'Y</b>	CHECKED BY	DATE	KS.KIM	2009/06/26	APPROVED BY	DATE	YS00.KIM	2009/06/26	<b>MOLEX INCORPORATED</b>	MATERIAL NO.		DOCUMENT NO.	DRAFT WHERE APPLICABLE MUST REMAIN WITHIN DIMENSIONS		SEE TABLE	SD-104060-002	SHEET NO. 1 OF 3	SIZE <b>A3</b>			THIS DRAWING CONTAINS INFORMATION THAT IS PROPRIETARY TO MOLEX INCORPORATED AND SHOULD NOT BE USED WITHOUT WRITTEN PERMISSION		
		mm	INCH																																												
	4 PLACES	± ---	± ---																																												
3 PLACES	± ---	± ---																																													
2 PLACES	± ---	± ---																																													
1 PLACE	± 0.3	± ---																																													
DRAWN BY	DATE	TITLE																																													
YR.KIM	2009/06/26	<b>0.5 FFC E/O DUAL CONTACT HOUSING ASS'Y</b>																																													
CHECKED BY	DATE																																														
KS.KIM	2009/06/26																																														
APPROVED BY	DATE																																														
YS00.KIM	2009/06/26	<b>MOLEX INCORPORATED</b>																																													
MATERIAL NO.		DOCUMENT NO.																																													
DRAFT WHERE APPLICABLE MUST REMAIN WITHIN DIMENSIONS		SEE TABLE	SD-104060-002	SHEET NO. 1 OF 3																																											
SIZE <b>A3</b>			THIS DRAWING CONTAINS INFORMATION THAT IS PROPRIETARY TO MOLEX INCORPORATED AND SHOULD NOT BE USED WITHOUT WRITTEN PERMISSION																																												

10 9 8 7 6 5 4 3 2 1

F

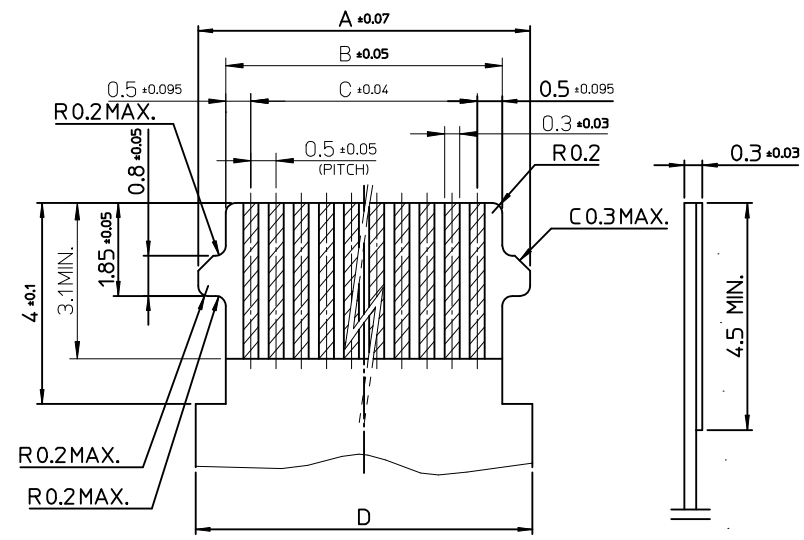
E

D

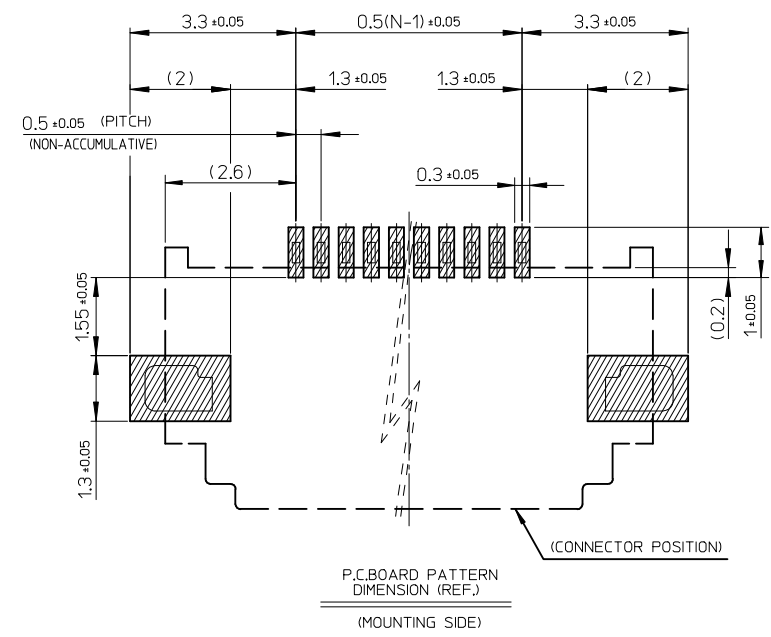
C

B

A



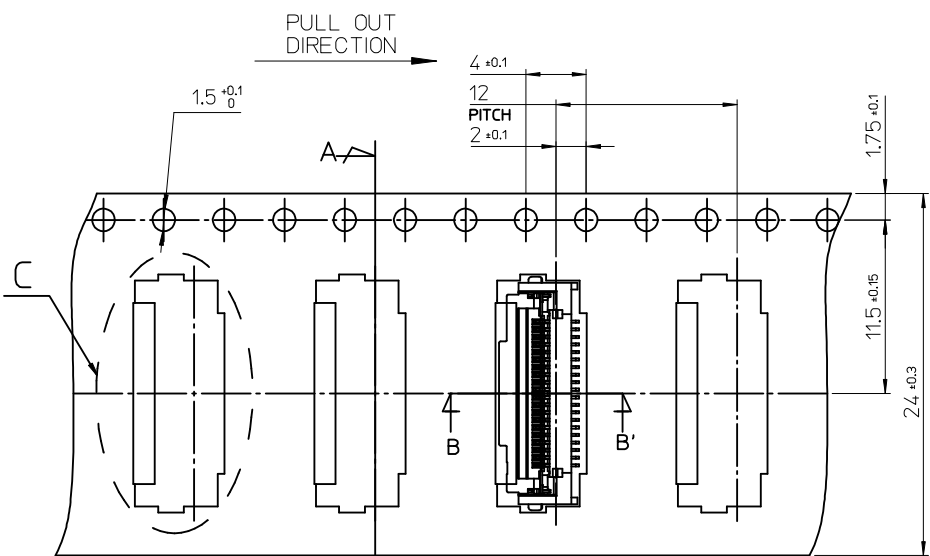
APPLICABLE FPC/FFC  
RECOMMENDED DIMENSION



12.3	9.5	10.5	12.2	20
D	C	B	A	CIRCUIT

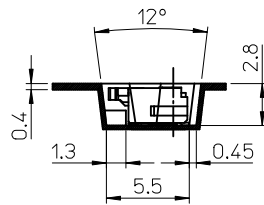
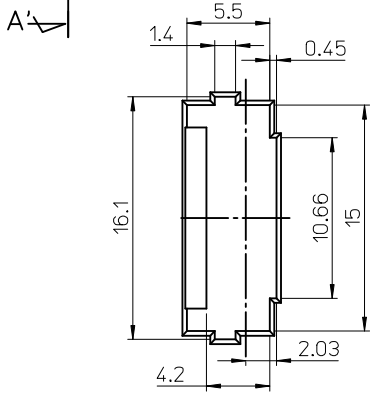
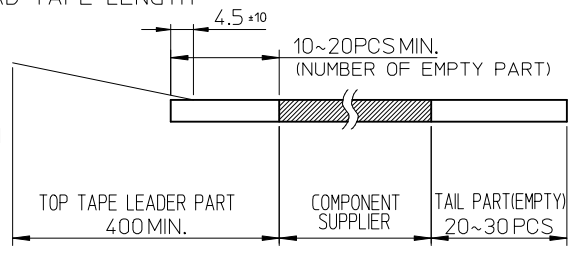
REVISED EC NO: KOR2013-0042 DRWN: HJEONG 2013/05/30 CHKD: APPR: YSK IM02 2013/05/30 REV	QUALITY SYMBOLS	GENERAL TOLERANCES (UNLESS SPECIFIED)	DIMENSION STYLE	SCALE	DESIGN UNITS	THIRD ANGLE PROJECTION																				
	$\blacktriangledown = 0$ $\triangleleft = 0$	<table border="1"> <tr> <td></td> <td>mm</td> <td>INCH</td> </tr> <tr> <td>4 PLACES</td> <td><math>\pm \text{---}</math></td> <td><math>\pm \text{---}</math></td> </tr> <tr> <td>3 PLACES</td> <td><math>\pm \text{---}</math></td> <td><math>\pm \text{---}</math></td> </tr> <tr> <td>2 PLACES</td> <td><math>\pm \text{---}</math></td> <td><math>\pm \text{---}</math></td> </tr> <tr> <td>1 PLACE</td> <td><math>\pm 0.3</math></td> <td><math>\pm \text{---}</math></td> </tr> </table>		mm	INCH	4 PLACES	$\pm \text{---}$	$\pm \text{---}$	3 PLACES	$\pm \text{---}$	$\pm \text{---}$	2 PLACES	$\pm \text{---}$	$\pm \text{---}$	1 PLACE	$\pm 0.3$	$\pm \text{---}$	MM ONLY	10:1	METRIC						
		mm	INCH																							
	4 PLACES	$\pm \text{---}$	$\pm \text{---}$																							
3 PLACES	$\pm \text{---}$	$\pm \text{---}$																								
2 PLACES	$\pm \text{---}$	$\pm \text{---}$																								
1 PLACE	$\pm 0.3$	$\pm \text{---}$																								
DESCRIPTION	<table border="1"> <tr> <td>DRAWN BY</td> <td>DATE</td> <td>TITLE</td> </tr> <tr> <td>YR.KIM</td> <td>2009/06/26</td> <td>0.5 FFC E/O DUAL CONTACT HOUSING ASS'Y</td> </tr> <tr> <td>CHECKED BY</td> <td>DATE</td> <td></td> </tr> <tr> <td>KS.KIM</td> <td>2009/06/26</td> <td></td> </tr> <tr> <td>APPROVED BY</td> <td>DATE</td> <td></td> </tr> <tr> <td>YSOO.KIM</td> <td>2009/06/26</td> <td></td> </tr> </table>	DRAWN BY	DATE	TITLE	YR.KIM	2009/06/26	0.5 FFC E/O DUAL CONTACT HOUSING ASS'Y	CHECKED BY	DATE		KS.KIM	2009/06/26		APPROVED BY	DATE		YSOO.KIM	2009/06/26		<table border="1"> <tr> <td>MATERIAL NO.</td> <td>DOCUMENT NO.</td> <td>SHEET NO.</td> </tr> <tr> <td>SEE TABLE</td> <td>SD-104060-002</td> <td>2 OF 3</td> </tr> </table>	MATERIAL NO.	DOCUMENT NO.	SHEET NO.	SEE TABLE	SD-104060-002	2 OF 3
DRAWN BY	DATE	TITLE																								
YR.KIM	2009/06/26	0.5 FFC E/O DUAL CONTACT HOUSING ASS'Y																								
CHECKED BY	DATE																									
KS.KIM	2009/06/26																									
APPROVED BY	DATE																									
YSOO.KIM	2009/06/26																									
MATERIAL NO.	DOCUMENT NO.	SHEET NO.																								
SEE TABLE	SD-104060-002	2 OF 3																								
	DRAFT WHERE APPLICABLE MUST REMAIN WITHIN DIMENSIONS	THIS DRAWING CONTAINS INFORMATION THAT IS PROPRIETARY TO MOLEX INCORPORATED AND SHOULD NOT BE USED WITHOUT WRITTEN PERMISSION																								

9 8 7 6 5 4 3 2 1

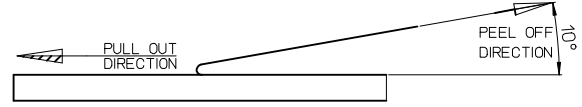


NOTES

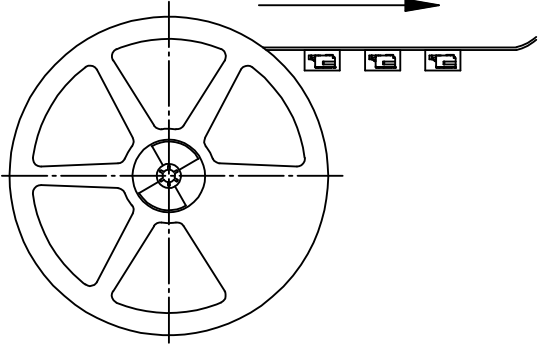
1. NUMBER OF CONNECTORS : 2,400PCS/REEL
2. LEAD TAPE LENGTH
3. FOR DIMENSIONS OF PRODUCT, REFER TO SD-104060-001.
4. MATERIAL
5. ELV AND RoHS COMPLIANT
6. PEELING OFF FORCE OF COVER TAPE : 0.1N~0.59N(10.2GF~60GF)  
(PEELING DIRECTION AS SHOW IN FOLLOW FIG.)  
PEELING OFF SPEED : 300mm/Min.(Ref.)



SECTION B-B'  
(Scale 3/1)



DETAIL C



24	104060-2017	20
CARRIER TAPE WIDTH	ORDER NO.	CIRCUIT

REVISED EC NO: KOR2013-0042 DRW:NHJEONG 2013/05/30 CHKD: APPR:YSKIM02 2013/05/30 REV	QUALITY SYMBOLS	GENERAL TOLERANCES (UNLESS SPECIFIED) mm INCH 4 PLACES ± --- ± --- 3 PLACES ± --- ± --- 2 PLACES ± --- ± --- 1 PLACE ± 0.3 ± --- ANGULAR ± 1 °	DIMENSION STYLE	SCALE	DESIGN UNITS	THIRD ANGLE PROJECTION
			MM ONLY	10:1	METRIC	
			DRAWN BY YR.KIM DATE 2009/06/26 CHECKED BY KS.KIM DATE 2009/06/26 APPROVED BY YS00.KIM DATE 2009/06/26 MATERIAL NO.	TITLE	0.5 FFC E/O DUAL CONTACT HOUSING ASS'Y	
		DRAFT WHERE APPLICABLE MUST REMAIN WITHIN DIMENSIONS	SEE TABLE	MOLEX INCORPORATED DOCUMENT NO. SD-104060-002	SHEET NO. 3 OF 3	

THIS DRAWING CONTAINS INFORMATION THAT IS PROPRIETARY TO MOLEX INCORPORATED AND SHOULD NOT BE USED WITHOUT WRITTEN PERMISSION