



Pushbutton, 30 mm, round, metal, matte, amber, front ring for flush installation, momentary contact type

|   |                                  |
|---|----------------------------------|
| <b>product brand name</b>                                 | SIRIUS ACT                       |
| <b>product designation</b>                                | Pushbuttons                      |
| <b>design of the product</b>                              | Actuating/signaling element      |
| <b>product type designation</b>                           | 3SU1                             |
| <b>product line</b>                                       | Metal, matt, flat, 30 mm         |
| <b>Enclosure</b>  |                                  |
| <b>number of command points</b>                           | 1                                |
| <b>Actuator</b>   |                                  |
| <b>design of the actuating element</b>                    | Flat button                      |
| <b>principle of operation of the actuating element</b>    | momentary contact type           |
| <b>product extension optional</b>                         |                                  |
| • light source  | No                               |
| • contact module  | Yes                              |
| <b>color of the actuating element</b>                     | amber                            |
| <b>material of the actuating element</b>                  | plastic                          |
| <b>shape of the actuating element</b>                     | round                            |
| <b>outer diameter of the actuating element</b>            | 38 mm                            |
| <b>Front ring</b>   |                                  |
| <b>product component front ring</b>                       | Yes                              |
| <b>design of the front ring</b>                           | Flat                             |
| <b>material of the front ring</b>                         | Metal, matt                      |
| <b>color of the front ring</b>                            | sand gray                        |
| <b>General technical data</b>                             |                                  |
| <b>protection class IP</b>                                | IP66, IP67, IP69(IP69K)          |
| <b>degree of protection NEMA rating</b>                   | 1, 2, 3, 3R, 4, 4X, 12, 13       |
| <b>shock resistance</b>                                   |                                  |
| • acc. to IEC 60068-2-27                                  | Sinusoidal half-wave 50g / 11 ms |
| • for railway applications acc. to DIN EN 61373           | Category 1, Class B              |
| <b>vibration resistance</b>                               |                                  |
| • acc. to IEC 60068-2-6                                   | 10 ... 500 Hz: 5g                |
| • for railway applications acc. to DIN EN 61373           | Category 1, Class B              |
| <b>operating frequency maximum</b>                        | 3 600 1/h                        |
| <b>mechanical service life (switching cycles) typical</b> | 10 000 000                       |
| <b>reference code acc. to IEC 81346-2</b>                 | S                                |
| <b>Ambient conditions</b>                                 |                                  |
| • ambient temperature during operation                    | -25 ... +70 °C                   |
| • ambient temperature during storage                      | -40 ... +80 °C                   |

|   |   |
|---|---|
| environmental category during operation acc. to IEC 60721 | 3M6, 3S2, 3B2, 3C3, 3K6 (with relative air humidity of 10 ... 95 %) |
|---|---|

| Installation/ mounting/ dimensions          |         |
|---|---------|
| height                                      | 38 mm   |
| width                                       | 38 mm   |
| shape of the installation opening           | round   |
| mounting diameter                           | 30.5 mm |
| positive tolerance of installation diameter | 0.5 mm  |
| mounting height                             | 4.2 mm  |
| installation width                          | 38 mm   |
| installation depth                          | 31.1 mm |

| Certificates/ approvals  |                           |                   |
|--------------------------|---------------------------|-------------------|
| General Product Approval | Declaration of Conformity | Test Certificates |



[Miscellaneous](#)



[Type Test Certificates/Test Report](#)

| Test Certificates | Marine / Shipping |
|-------------------|-------------------|
|-------------------|-------------------|

[Special Test Certificate](#)



| other |
|-------|
|-------|

[Confirmation](#)

[Confirmation](#)

[Confirmation](#)

| Further information |
|---------------------|
|---------------------|

Information- and Downloadcenter (Catalogs, Brochures,...)

<https://www.siemens.com/ic10>

Industry Mall (Online ordering system)

<https://mall.industry.siemens.com/mall/en/en/Catalog/product?mlfb=3SU1060-0JB00-0AA0>

Cax online generator

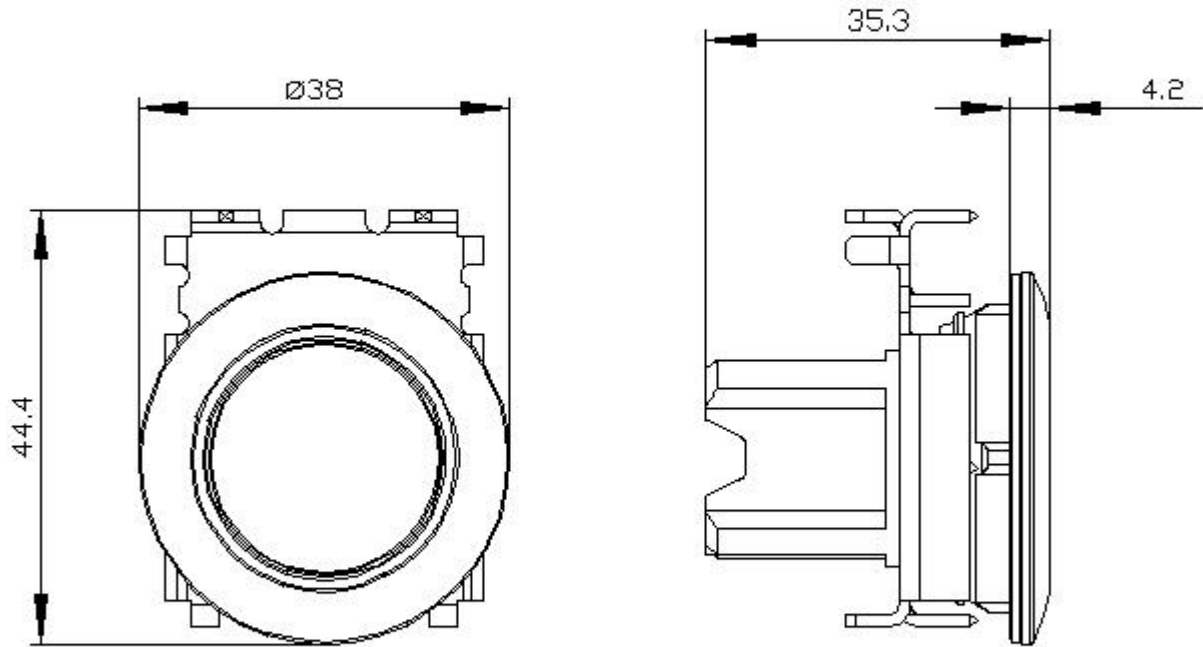
<http://support.automation.siemens.com/WW/CAXorder/default.aspx?lang=en&mlfb=3SU1060-0JB00-0AA0>

Service&Support (Manuals, Certificates, Characteristics, FAQs,...)

<https://support.industry.siemens.com/cs/ww/en/ps/3SU1060-0JB00-0AA0>

Image database (product images, 2D dimension drawings, 3D models, device circuit diagrams, EPLAN macros, ...)

[http://www.automation.siemens.com/bilddb/cax\\_de.aspx?mlfb=3SU1060-0JB00-0AA0&lang=en](http://www.automation.siemens.com/bilddb/cax_de.aspx?mlfb=3SU1060-0JB00-0AA0&lang=en)



last modified:

8/31/2020 