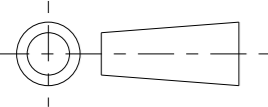


CUSTOMER DRAWING

©2011 CTP-COIL
ALL DIMENSIONS IN mm

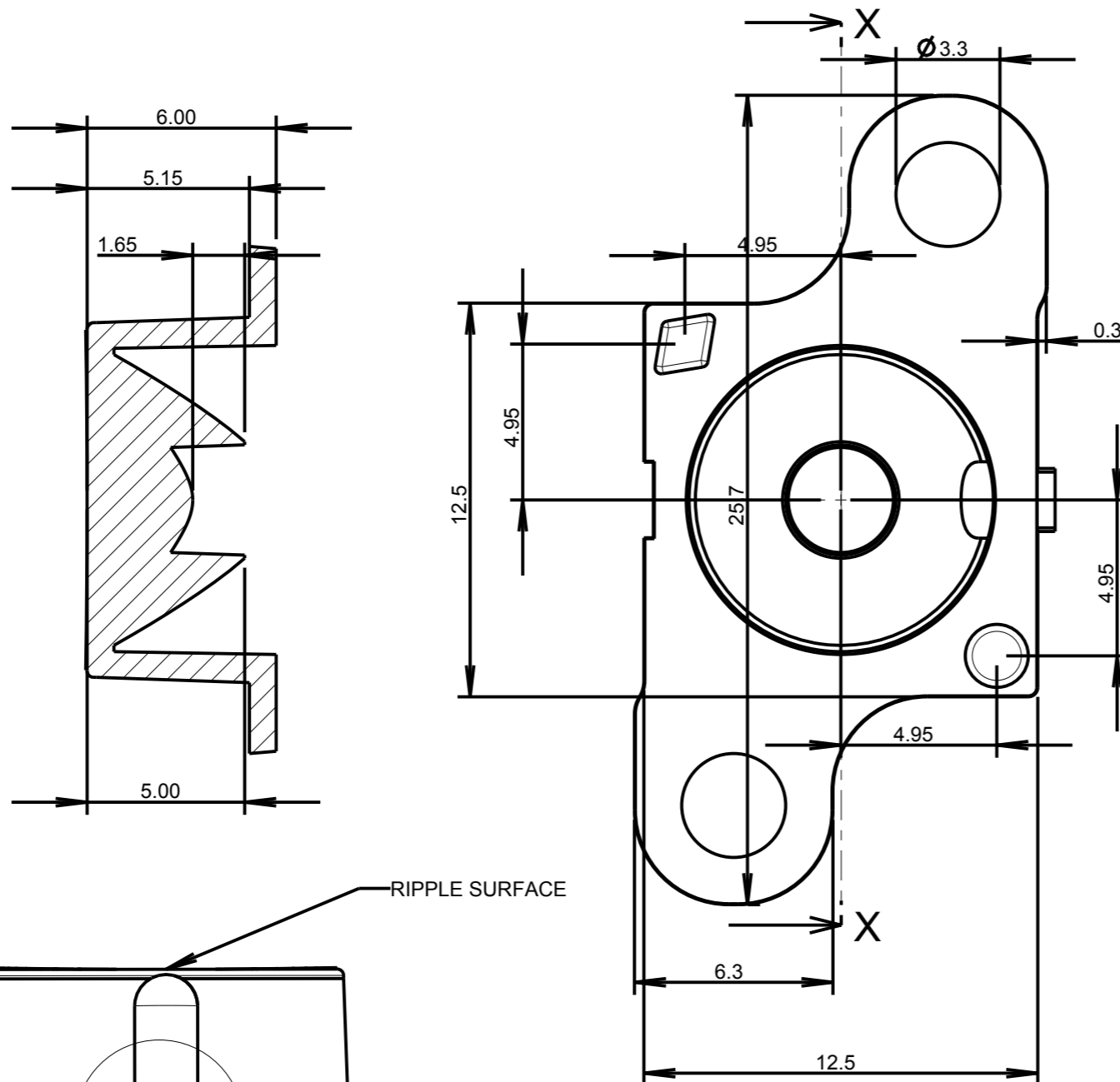
| ISS. | DATE | E.C.N. | DESCRIPTION |
|------|-----------|------------|-------------------------------------|
| 1 | 12-Nov-10 | | FIRST ISSUE |
| 2 | 23-Mar-11 | 03/11/1293 | ADD DIMENSION RECESS & GENERAL INFO |
| 3 | 17-Nov-11 | 11/11/1314 | CHANGE 2.0MM PEGS HEIGHT TO 0.8mm |



GENERAL VIEW



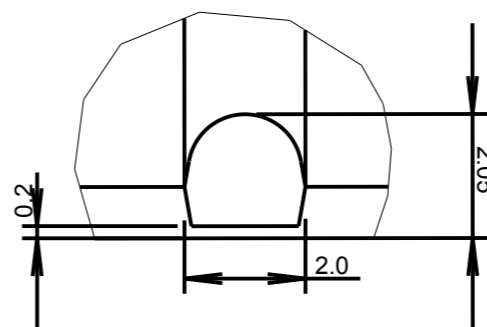
SCALE 1:1



SECTION X-X

RIPPLE SURFACE

SEE DETAIL E



DETAIL E
SCALE 8:1

MATERIAL - UV STABILISED CLEAR POLYCARBONATE



CARCLO TECHNICAL PLASTICS (SLOUGH)
103 BUCKINGHAM AVE, SLOUGH
SL1 4PF, ENGLAND
TEL: +44 1753 575011 FAX: +44 1753 811359
email: design@carclo-optics.com

GENERAL TOLERANCES (UNLESS STATED)

| LINEAR | ANGULAR |
|---------------|---------------|
| X +/- 0.25 | X +/- 1° |
| X.X +/- 0.1 | X.X +/- 0.5° |
| X.XX +/- 0.05 | X.XX +/- 0.1° |

CUSTOMER

CARCLO

TITLE

10mm IP66 LINEAR ELLIPTICAL
- with Location Pins & flange

DRAWN

DATE

BB

12-Nov-10

CHK'D

MH

DATE

29-Nov-11

APP'D

PW

DATE

29-Nov-11

SCALE

5:1

CARCLO PART No.

12086

SIZE

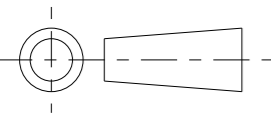
A3

CARCLO DRG. No.

60656

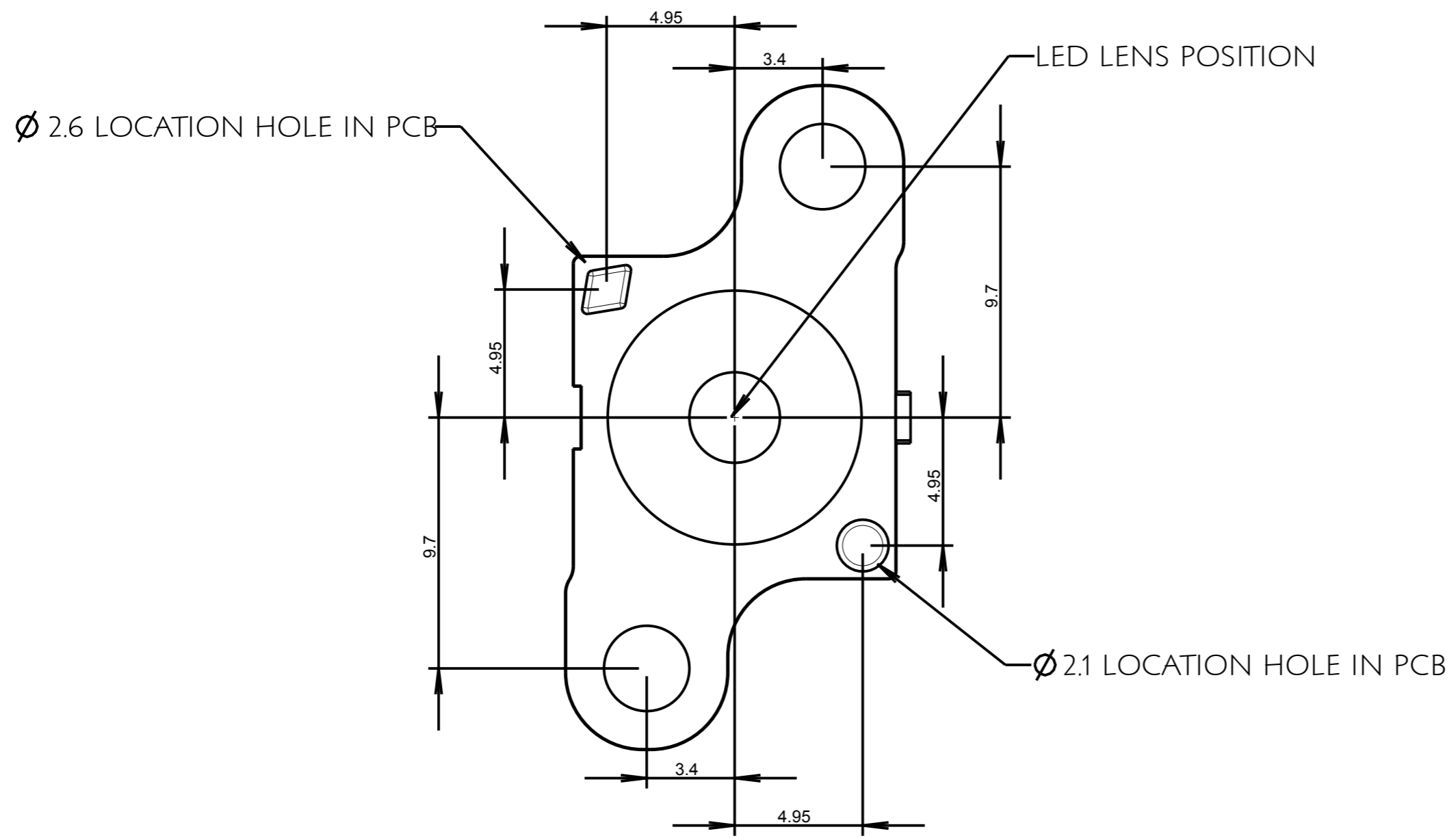
SHEET

2 OF 3



©2011 CTP-COIL
ALL DIMENSIONS IN mm

PCB GLUE PAD AND ALIGNMENT HOLE LAYOUT DIMENSIONS



| ISS. | DATE | E.C.N. | DESCRIPTION |
|------|-----------|------------|-------------------------------------|
| 1 | 12-Nov-10 | | FIRST ISSUE |
| 2 | 23-Mar-11 | 03/11/1293 | ADD RECESS DIMENSION & GENERAL INFO |
| 3 | 17-Nov-11 | 11/11/1314 | CHANGE 2.0MM PEGS HEIGHT TO 0.8mm |



CARCLO TECHNICAL PLASTICS (SLOUGH)
103 BUCKINGHAM AVE, SLOUGH
SL1 4PF, ENGLAND
TEL: +44 1753 575011 FAX: +44 1753 811359
email: design@carclo-optics.com

GENERAL TOLERANCES (UNLESS STATED)

| LINEAR | ANGULAR |
|---------------|---------------|
| X +/- 0.25 | X +/- 1° |
| X.X +/- 0.1 | X.X +/- 0.5° |
| X.XX +/- 0.05 | X.XX +/- 0.1° |

CUSTOMER
CARCLO

TITLE
**10mm IP66 LINEAR ELLIPTICAL
- with Location Pins & flange**

DRAWN BB DATE 12-Nov-10

CHK'D MH DATE 29-Nov-11

APP'D PW DATE 29-Nov-11

SCALE 5:1 CARCLO PART No. 12086

SIZE A3 CARCLO DRG. No. 60656 SHEET 3 OF 3