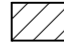
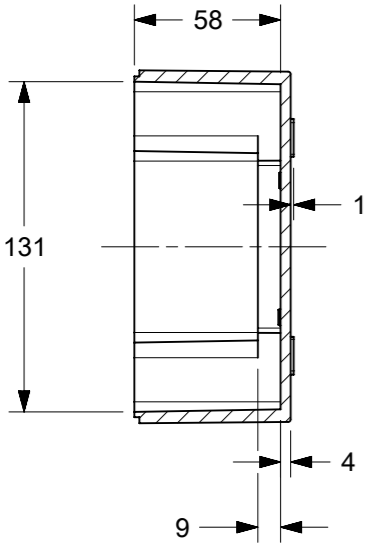
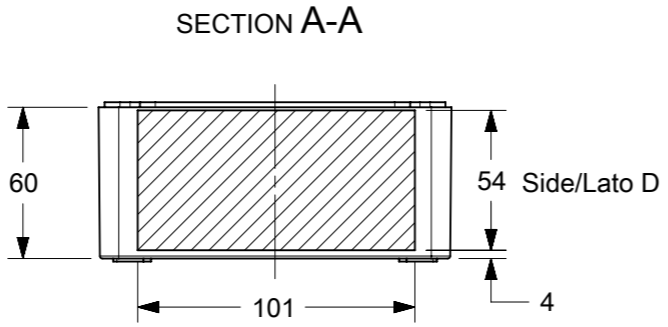
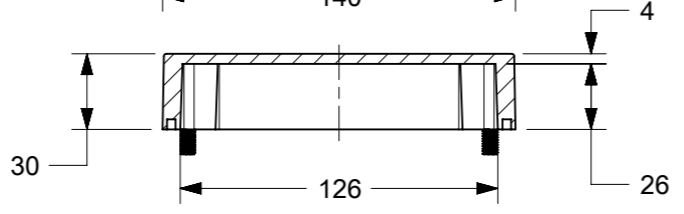
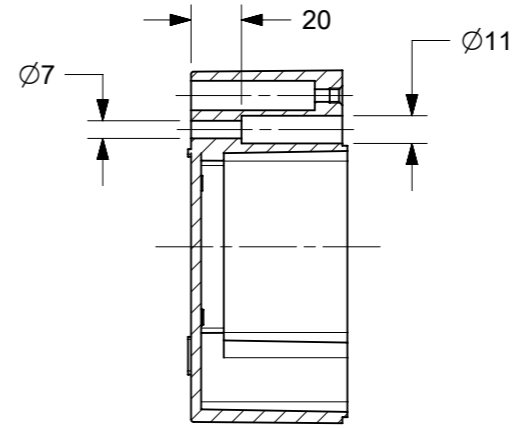
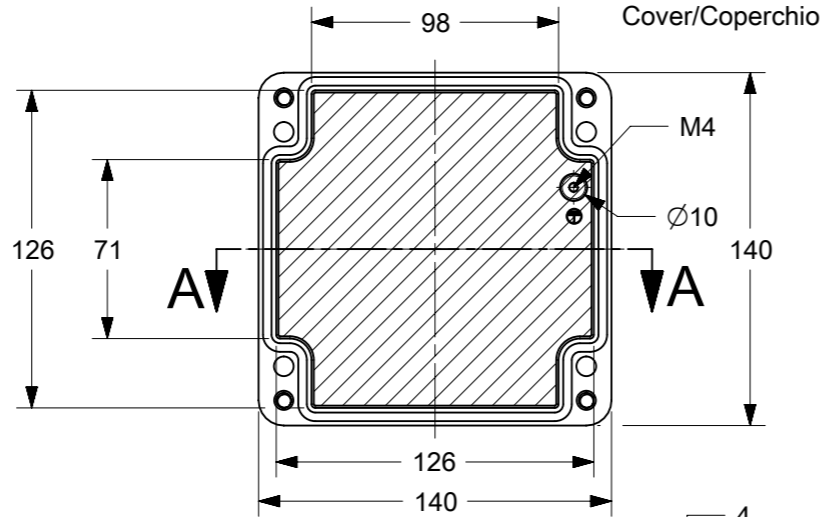
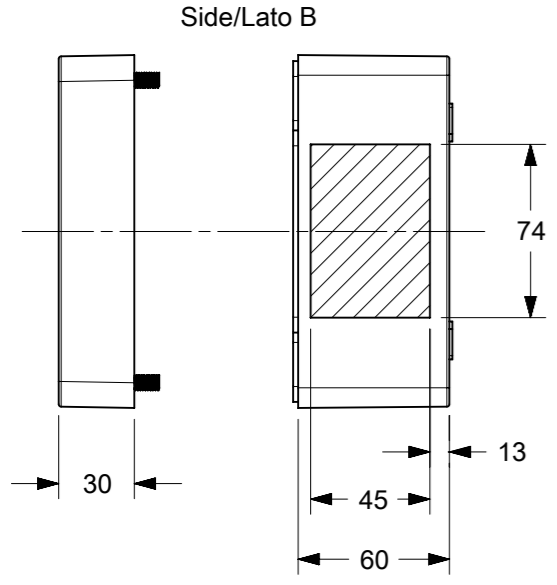


NOTE:
 SUITABLE AREAS FOR DRILLING AND THREADING OPERATIONS
 - ENCLOSURE SUPPLIED WITH No. 4 COMBI FIXING SCREW M6x35

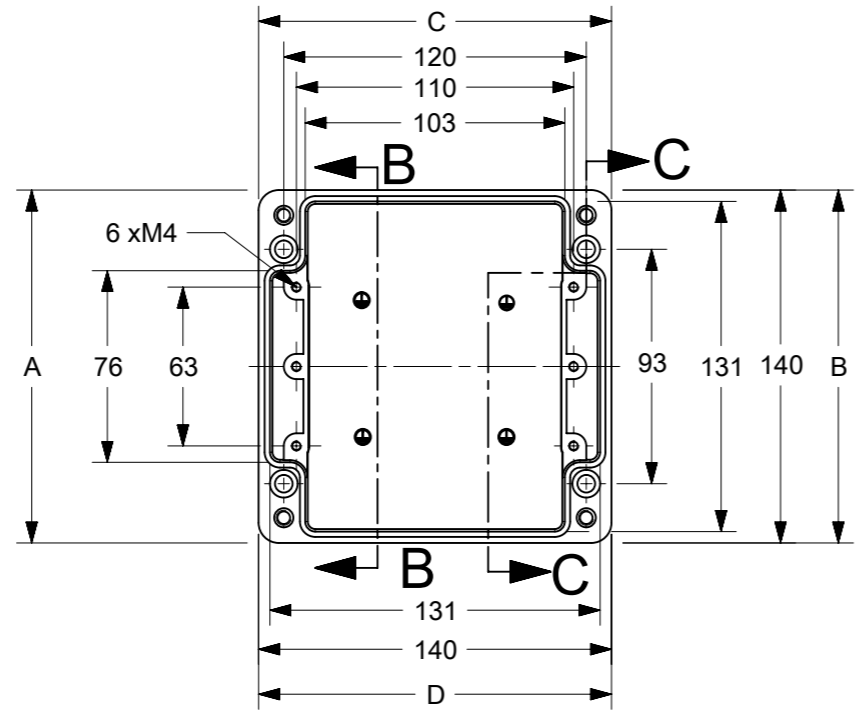


SECTION B-B

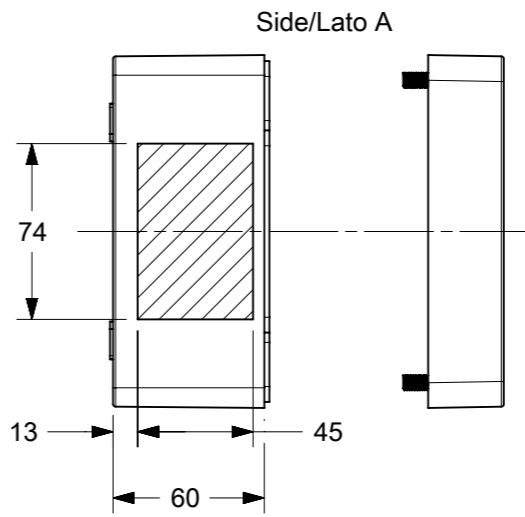
SECTION C-C



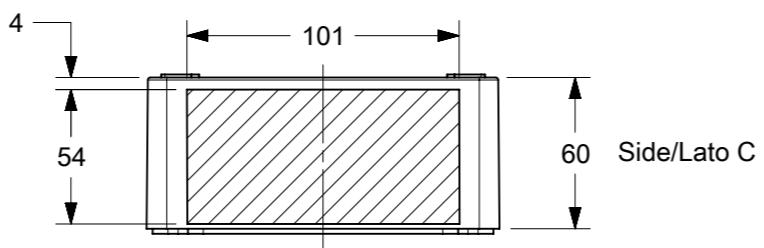
Side/Lato B



Side/Lato A



Side/Lato A



Side/Lato C

Table 1			PRODUCT TABLE		
SAP.No.	Eng.No.	COLOR			
0936040113	8100.8020.0	GREY RAL7001			
0936040168	8100.8120.0	LIGHT GREY RAL7035			
0936040205	8100.8220.0	NOT PAINTED			
0936040276	8100.8320.1	BLACK RAL9005			

FUNCTIONAL SYMBOLS ∇A = 0 ∇E = 0 ∇P = 0	THIS DRAWING CONTAINS INFORMATION THAT IS PROPRIETARY TO MOLEX ELECTRONIC TECHNOLOGIES, LLC AND SHOULD NOT BE USED WITHOUT WRITTEN PERMISSION	SCALE 1:3	CURRENT REV DESC: FIRST RELEASE		
	DIMENSION UNITS mm	GENERAL TOLERANCES (UNLESS SPECIFIED) ANGULAR TOL ± 1.0°			
DIVISIONAL SYMBOLS	4 PLACES ±	EC NO: 707681	2022/05/23		
	3 PLACES ±	DRWN: NFRITZEN	2022/05/24		
2 PLACES ±	APP: RSILLER	2022/05/24			
1 PLACE ± 0.2	INITIAL REVISION:	2022/04/20			
0 PLACES ± 0.3	DRWN: AKABADI	2022/05/24			
DRAFT WHERE APPLICABLE MUST REMAIN WITHIN DIMENSIONS		FIRST ANGLE PROJECTION	DRAWING A3-SIZE	SERIES 93604	MATERIAL NUMBER SEE TABLE 1
		CUSTOMER GENERAL MARKET		DOC TYPE PSD	DOC PART 000
				REVISION A	SHEET NUMBER 1 OF 1

molex

AL BOX LIGHT GREY 140X140X91 SERIES

PRODUCT CUSTOMER DRAWING

DOCUMENT NUMBER: 936040168