

LXV52 series

LED Power Supply

Constant Voltage Power Supplies

LED POWER

next generation power source

FEATURES

- High Efficiency 89%
- IP67 Waterproof
- Active PFC (Typical 0.92)
- OVP, SCP, OCP
- -35 to 70°C deg operation
- Wide Input 90-305VAC
- UL8750 recognised
- EN61347-1, -2-13 compliant



The LXV52 series of constant voltage LED power supplies from Excelsys Technologies can deliver up to 52W of output power in an extremely compact package size.

The LXV52 series of constant voltage power supplies provides a range of output voltage solutions for specific LED requirements. With industry leading efficiencies, and an extensive protection feature set, the LXV52 series provides high reliability and high performance in a compact package. The LXV52 series carries the UL and CE mark for safety and is also RoHS compliant.

Model Number	Output Voltage	Output Current	Input Voltage	Efficiency
LXV52-024SW ⁽³⁾	24V	2.17A	90-305VAC	88.0%
LXV52-036SW ⁽³⁾	36V	1.45A	90-305VAC	89.0%
LXV52-048SW ⁽³⁾	48V	1.08A	90-305VAC	89.0%

Input Specifications					
Parameter	Conditions/Description	Min	Nom	Max	Units
Input Voltage Range	Universal Input.	90		305	VAC
Input Frequency Range		47		63	Hz
Input Current	100VAC in, 52W output			0.80	A
Leakage Current	277VAC in, 50Hz			0.75	mA
Inrush Current	230VAC in, 25°C, Cold Start			60	A
Power Factor	220VAC, 110VAC	0.92		0.98	
Output Specifications					
Parameter	Conditions/Description	Min	Nom	Max	Units
Line Regulation				±2	%
Load Regulation				±3	%
Voltage Accuracy	% of Vout			±5	%
Ripple and Noise	20MHz Bandwidth. See Note 1			4	V pk-pk
Overshoot/Undershoot	On power ON/OFF.			10	%
Turn-on Delay	Measured at 220VAC and full load		0.3	0.5	s
Short Circuit Protection	Auto Recovery				
Over Voltage Protection	Hiccup, Auto Recovery	110	120	130	%
Over Current Protection	Hiccup, Auto Recovery	120	150	170	%
General Specifications					
Parameter	Conditions/Description	Min	Nom	Max	Units
Isolation Voltage	Input to Output See Note 2 Input to Chassis	3750 1500			VAC VAC
Efficiency	See individual models				%
Safety Agency Approvals	UL8750, EN61347-1, -2-13, UL1310 (See Note 3)				
No load Power Dissipation	Measured at 120VAC and 220VAC			4	W
MTBF	MIL-HDBK 217F, 110VAC input, 80% load, 25°C	321,000			Hours
Lifetime	110VAC input, 80% load, 45°C, 24V Output Model	59,000			Hours
Weight			480		g
Operating Temperature		-35		+70	°C
Storage Temperature		-40		+85	°C
Relative Humidity	Non-condensing (operating)	10		100	%RH

Note 1. Output connected in parallel with 0.1uF ceramic capacitor and 10uF electrolytic capacitor.
 Note 2. Primary to Secondary Isolation test not to be carried out on power supply.
 Note 3. UL 1310 Class 2 product, except LXV52-048SW which is Class 2 US only.



Europe/Asia

Excelsys Technologies Ltd
 27 Eastgate Drive
 Eastgate Business Park
 Little Island, Cork, Ireland
 IRELAND

t: +353 21 4354716
 f: +353 21 4354864
 e: sales@excelsys.com

North America

Excelsys Technologies
 519 Interstate 30, #309
 Rockwall, TX 75087
 USA

t: (972) 771 4544
 f: (972) 421 1805
 e: salesusa@excelsys.com

Emissions			
Conducted	EN55015		Level B
Radiated	EN55015		Level B
Harmonic Distortion	EN61000-3-2		Compliant
Flicker and Fluctuation	EN61000-3-3		Compliant
Immunity			
ESD	EN61000-4-2		Compliant
Radiated RFI	EN61000-4-3		Compliant
Fast Transients - burst	EN61000-4-4		Level 3(A)
Input Line Surges	EN61000-4-5		Compliant
Conducted RFI	EN61000-4-6		Compliant
Power Freq Magnetic Field	EN61000-4-8		Compliant
Voltage Dips	EN61000-4-11		Compliant

INPUT / OUTPUT WIRING

INPUT CABLE

SJTW 18AWG

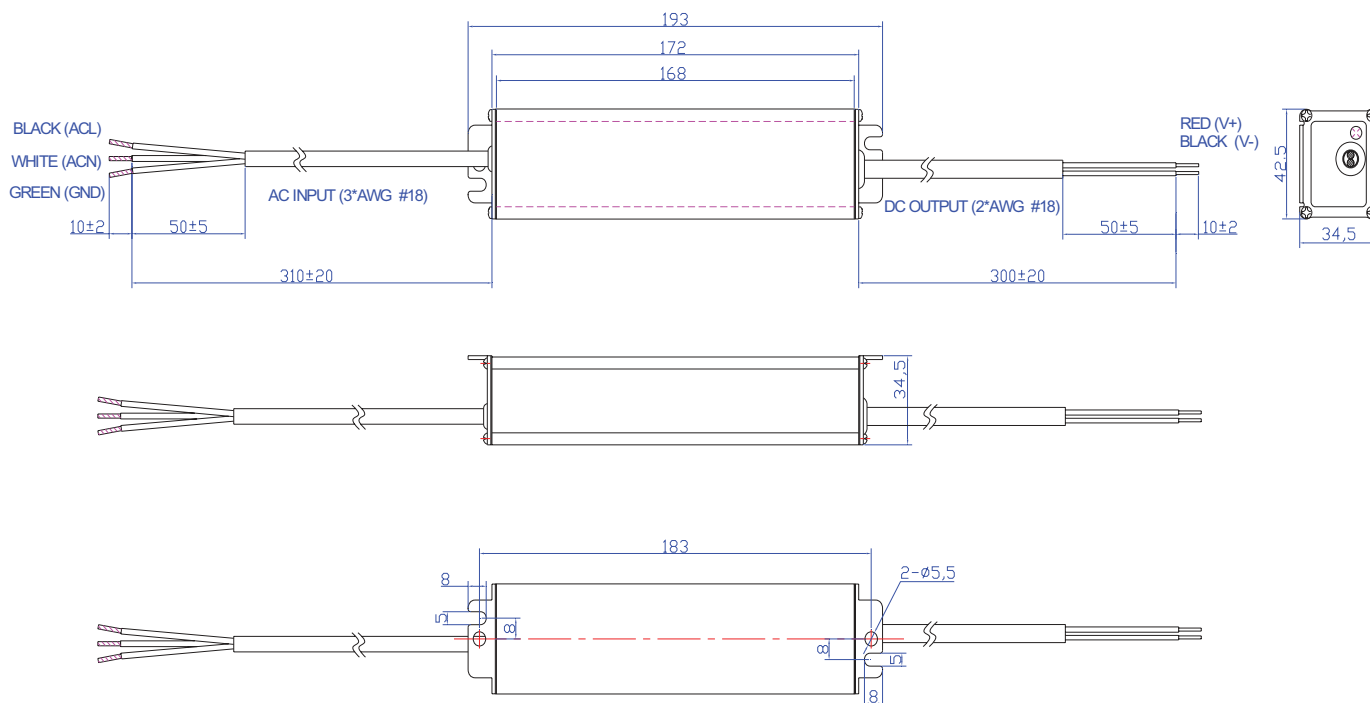
Black (L) and White(N) Green(Earth) 310±20mm

OUTPUT CABLE

SJTW 18AWG

Black (-V) and Red (+V) 300±20mm

MECHANICAL SPECIFICATIONS



Specifications subject to change without notice

Europe/Asia

Excelsys Technologies Ltd t: +353 21 4354716
 27 Eastgate Drive f: +353 21 4354864
 Eastgate Business Park e: sales@excelsys.com
 Little Island, Cork, Ireland
 IRELAND

North America

Excelsys Technologies t: (972) 771 4544
 519 Interstate 30, #309 f: (972) 421 1805
 Rockwall, TX 75087 e: salesusa@excelsys.com
 USA