

TMDS181RGZ Evaluation Module

This document describes how to use and configure the TMDS181RGZEVM (EVM) and provides recommendations for system hardware implementation. These recommendations are only guidelines and it is the designer's responsibility to consider all system characteristics and requirements. Engineers should refer to the datasheet ([SLASE75A](#)) for technical details such as device operation, terminal description, and so forth.

Contents

1	Overview	2
	1.1 What is the TMDS181?	2
	1.2 What is the TMDS181 EVM?.....	2
	1.3 What is Included in the TMDS181 EVM?.....	2
	1.4 What Does This EVM Look Like?	3
2	Hardware Description	4
	2.1 Video Connectors for TMDS181 Ports.....	4
	2.2 Local I ² C Access	4
	2.3 Enable/Reset	5
	2.4 Power.....	5
	2.5 Jumper Configuration	6
	2.6 Component Population Configuration	6
3	Quick Start Guide	7
	3.1 USB Interface via TUSB3410	8
4	References	12
5	EVM Bill of Materials.....	13
6	EVM Schematics	16
7	EVM Layout	23
8	Total Phase Aardvark I ² C Host Adapter Scripts.....	24

List of Figures

1	TMDS181RGZEVM.....	3
2	TMDS181RGZEVM Block Diagram	4
3	Eye Scan Opening Tab – Device Not Connected	8
4	Register Status/Control Tab	9
5	TMDS181 HDMI 1.4B Operation	10
6	TMDS181 HDMI 2.0 Operation.....	10
7	Sample Eyescan at HDMI1.4B	11
8	Sample Eyescan at HDMI2.0 Raw	11
9	Sample Eyescan at HDMI2.0 Interpreted	12
10	HDMI Input	16
11	EVM Pin	17
12	HDMI TX Connector	18
13	Select Options	19
14	RESET.....	20
15	Regulators.....	21

HDMI is a registered trademark of HDMI Licensing, LLC.
Aardvark is a trademark of Total Phase, Inc..

16	TUSB3410.....	22
17	Layer 1 (Top)	23
18	Layer 2 (GND)	23
19	Layer 3 (Power)	23
20	Layer 4 (Power)	23
21	Layer 5 (GND)	23
22	Layer 6 (Bottom).....	23

List of Tables

1	Aardvark I ² C (J5) Pin-out	4
2	TMDS181 Target I ² C Address	5
3	SW1 DIP Switch Setting	6
4	EVM Bill of Materials.....	13

1 Overview

1.1 What is the TMDS181?

The TMDS181 is a digital video interface (DVI) or high-definition multimedia interface (HDMI®) retimer and redriver. The TMDS181 supports four TMDS channels, audio return channel (SPDIF_IN/ARC_OUT), and digital display control (DDC) interfaces. The TMDS181 supports signaling rates up to 6Gbps to allow for the highest resolutions of 4k2k60p 24 bits per pixel and up to WUXGA 16-bit color depth or 1080p with higher refresh rates. The TMDS181 can be configured to support the HDMI2.0 standard. The TMDS181 automatically configures itself as a redriver at low data rate (< 1.0Gbps) or as a retimer above this data rate by default, or it can be set to redriver only or retimer only modes using I²C.

1.2 What is the TMDS181 EVM?

The TMDS181 EVM is a PCB created to help customers evaluate the TMDS181 device for video applications with HDMI interfaces. This EVM can also be used as a hardware reference design for implementation of the TMDS181 in the RGZ package. PCB design/layout files can be provided upon request to provide PCB design illustrations of the routing/placement rules with a TMDS181 component.

Please note that the EVM design supports the TMDS181 debug capabilities, so it contains components that would not be needed by a typical TMDS181 end-application. A separate reference design is available for customers.

1.3 What is Included in the TMDS181 EVM?

The EVM contains the following major components:

- TMDS181RGZ
- Standard HDMI source connector (receptacle)
- Standard HDMI sink connector (receptacle)
- DC power regulators
- I²C programming interface for external I²C host connection
- USB interface (utility available to access registers)

1.4 What Does This EVM Look Like?

Figure 1 illustrates the TMDS181RGZ EVM.

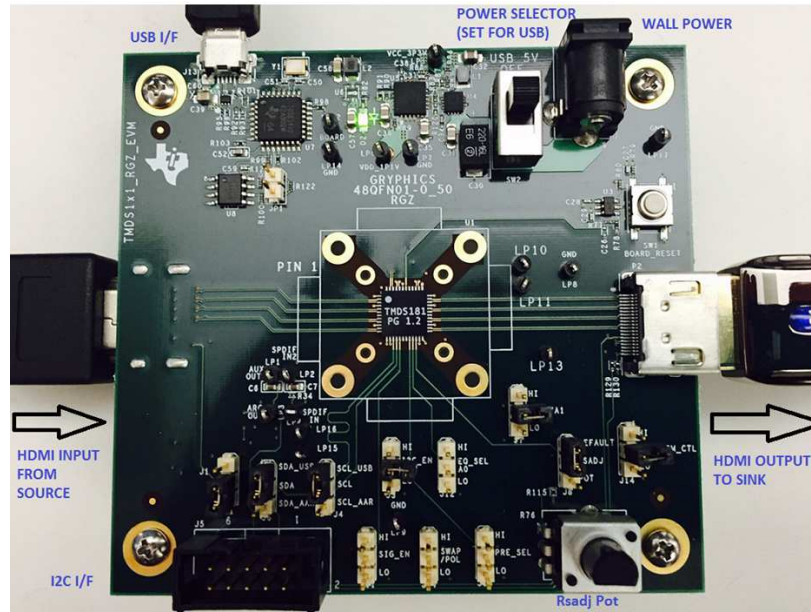


Figure 1. TMDS181RGZ EVM

2 Hardware Description

Figure 2 contains the EVM block diagram.

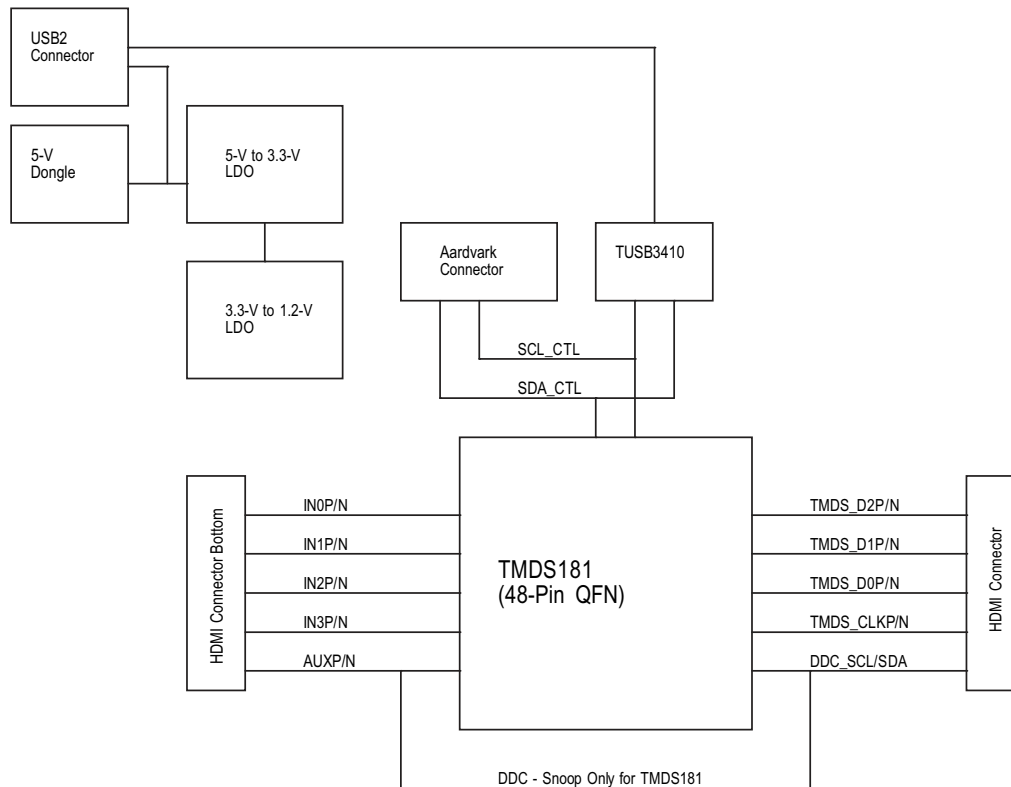


Figure 2. TMDS181RGZEVM Block Diagram

2.1 Video Connectors for TMDS181 Ports

The EVM has two HDMI connections for video. P1 and P2 are standard HDMI connectors (Molex 4715-10001).

2.2 Local I²C Access

Access to TMDS181's local I²C signals is provided via the J5 input connector. Note that I²C signal levels should be at 3.3 V when the I²C interface is accessed through the connector.

A standalone external I²C host can be connected via J5 for debug and control purposes. An example of an external I²C Host controller is the Total Phase Aardvark I²C/SPI host adapter (Total Phase Part#: [TP240141](#)). Sample scripts for this I²C host controller are provided by request.

Table 1. Aardvark I²C (J5) Pin-out

J5 pin #	Description	J5 pin #	Description
1	SCL_CTL	2	GND
3	SDA_CTL	4	NC
5	NC	6	NC
7	NC	8	NC
9	NC	10	GND

Table 2. TMDS181 Target I²C Address

TMDS181 I ² C Target Address							
Bit 7 (MSB)	Bit 6	Bit 5	Bit 4	Bit 3	Bit 2	Bit 1	Bit 0 (W/R)
A6	A5	A4	A3	A2	A1	A0	
1	0	1	1	1	1	0	0/1

7 Bit Address = 5Eh

NOTE: The target I²C address for TMDS181 can be modified with the EVM jumper settings.

2.3 Enable/Reset

There are three device enable/reset options to use with the EVM.

(A) Supervisor Circuitry Option

This is the default configuration on the TMDS181 EVM. The enable (EN) signal is held low until the power good (PG) from the 3.3-V voltage regulator reaches a stable high voltage level, then it is released high.

(B) RC Timing Option

C26 external capacitor and internal resistor are used to control the EN ramp time after the device is powered on. C26 is a do not install (DNI) option by default. C26 needs to be installed and R77 needs to be uninstalled to enable this option.

(C) External Control Option

A push button (SW1) is provided for manual control of the TMDS181's EN/OE input.

2.4 Power

A DC power jack (J9) to accept a 5-V wall power adapter is provided on the EVM. The DC power jack (CUI Inc. PJ-202AH) has an inner diameter of 2.1 mm and an outer diameter of 5.5 mm. The tip of the +5-V power supply must be positive. A +5-V power supply of at least 1.5 A that meets the above requirements can be used to power the TMDS181RGZEVM. Power is provided to the EVM when SW2 is set to position 1.

NOTE: Care should be taken not to plug in any power source higher than the configured voltage (5 V).

Alternately, it is possible to power the EVM by connecting a micro-USB cable to a host and setting SW2 to position 3.

Please note that to prevent any back driving of 5 V in the system, TMDS181RGZEVMs have been configured to receive 5 V from the HDMI source connection to drive the Board_5V. This has been done by removing U6 and installing R104 on the EVMs.

2.5 Jumper Configuration

Jumpers are provided to operate the device/EVM in different configurations.

Table 3. SW1 DIP Switch Setting

DIP SW No	Signal Name	Description	Default Config
J1	HPD_SRC	JP 1-2 for not used JP 2-3 for TMDS181	JP 2-3 Allows for 3.3-V to 5-V transition of HPD_SRC signal
J3	I2_EN_PIN	JP 1-2 for I ² C ENABLE JP 2-3 for pin strap	NC
J4	SCL	JP 1-2 for USB IF TO I ² C JP 2-3 for EXT IF TO I ² C	JP 1-2 USB I ² C Interface
J6	SDA	JP 1-2 for USB IF TO I ² C JP 2-3 for EXT IF TO I ² C	JP 1-2 USB I ² C Interface
J7	A1	JP 1-2 for: • I ² C Addr bit A1 = 1, when I2C_EN = H JP 2-3 for: • I ² C Addr bit A1 = 0, when I2C_EN = H NC for weak internal pulldown (Normal mode)	NC
J8	VSADJ	JP 1-2 for 6.8 kΩ JP 2-3 for adjustable resistance	JP 1-2
J11	SIG_EN	JP 1-2 for Signal Detect Enabled JP 2-3 for Signal Detect Disabled NC for internal pulldown (Signal Detect Disabled)	NC
J12	EQ_SEL_A0	JP 1-2 for: • I ² C Addr bit A0 = 1, when I2C_EN = H • Fixed EQ at 14 dB @ 3G, when I2C_EN = L JP 2-3 for: • I ² C Addr bit A0 = 0, when I2C_EN = H • Fixed EQ at 7.5 dB @ 3G, when I2C_EN = L NC for Adaptive EQ	NC
J14	TX_TERM_CTL	JP 1-2 for no transmit term JP 2-3 for transmit term in 75–150 Ω NC for auto select of term	NC
J15	PRE_SEL	JP 1-2 for not used JP 2-3 for –2.5 dB de-emphasis NC for 0 dB	NC
J17	SWAP_POL	JP 1-2 for RX Polarity Swap (Retimer Mode Only) JP 2-3 for RX Lane Swap NC for normal	NC

2.6 Component Population Configuration

2.6.1 HPD Snoop Option

To accommodate systems that do not properly resend DDC commands after HPD goes low, TI has implemented an HPD snoop mode on the TMDS181RGZEV. This mode allows the HPD line to be routed around the TMDS181, but remain connected to the TMDS181 on the sink side to allow the TMDS181 to snoop its state. This snoop mode is disabled, by default, on the TMDS181RGZEVs.

- Pop R131, no pop R129, R130 for HPD on
- No pop R131, pop R129, R130 for HPD snoop only

2.6.2 DDC Snoop Option

To accommodate systems that do not properly support clock stretching on the DDC lines, TI has implemented a snoop mode on the TMDS181RGZEV. This mode allows the DDC lines to be routed around the TMDS181, but remain connected to the TMDS181 on the sink side to allow the TMDS181 to snoop the DDC traffic. This snoop mode is enabled on the TMDS181RGZEVs, by default.

- Pop R16, R17, R24, R25. No pop R123, R124, R125, R126 - TMDS181, DDC on
- No pop R16, R17, R24, R25. Pop R123, R124, R125, R126 - TMDS181, DDC snoop only

3 Quick Start Guide

Use the following steps as a quick-start guide:

1. Apply 5-V power to the EVM, turn on SW2.
2. If using external I²C configuration instead of pin straps, configure the TMDS181 at this step.
3. Plug in an HDMI source using a standard HDMI cable into P1 (Standard HDMI connector). LED D2 should light up.
4. Plug in an HDMI video sink device into P2 (Standard HDMI connector) using a standard HDMI cable.
5. Video output on HDMI sink should be observed.

3.1 USB Interface via TUSB3410

Access to the USB interface is provided through the TUSB3410 using a USB TI Utility called Eye Scan. To use the utility:

- Install the Eye Scan software from Texas Instruments
- Set J6 to SDA – SDA_USB
- Set J4 to SCL – SCL_USB
- Connect the USB micro cable from J13 to the USB host and power on the EVM **prior to installing the HDMI cables.**

This is required since the HDMI_5V can back drive the 3.3 V on the EVM and cause the USB interface chip not to enumerate correctly on the EVM.

- Start the Eye Scan software

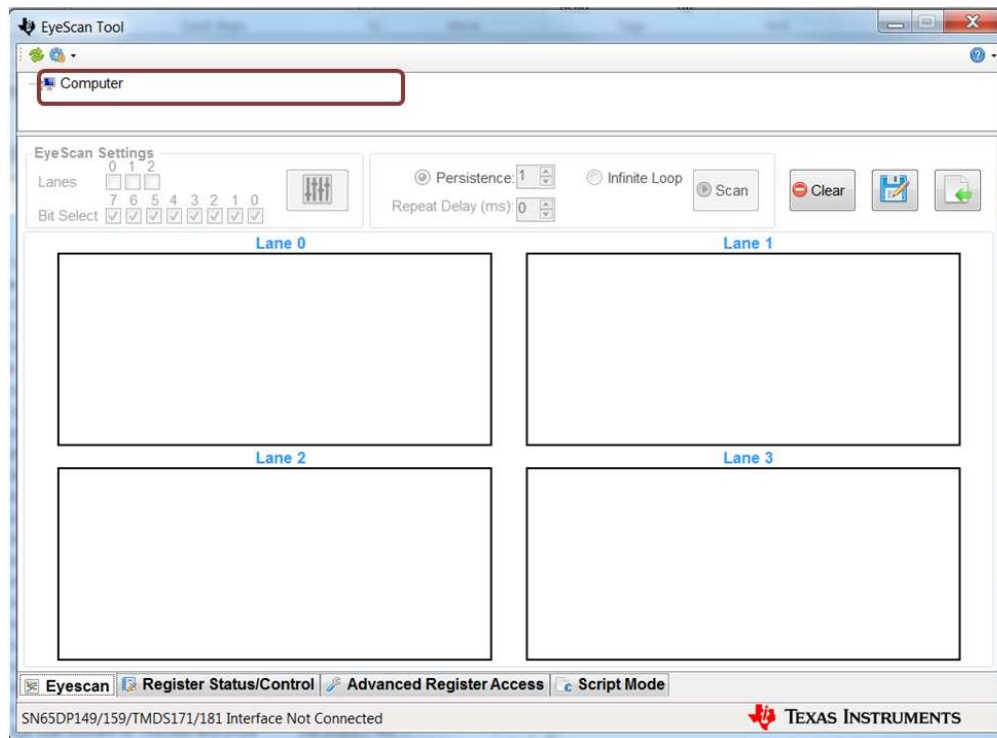


Figure 3. Eye Scan Opening Tab – Device Not Connected

Confirm that the SN65DP149/159/TMDS171/181 interface is present and selected. If it is not, check the USB connection and confirm that the driver is loaded in Device Manager.

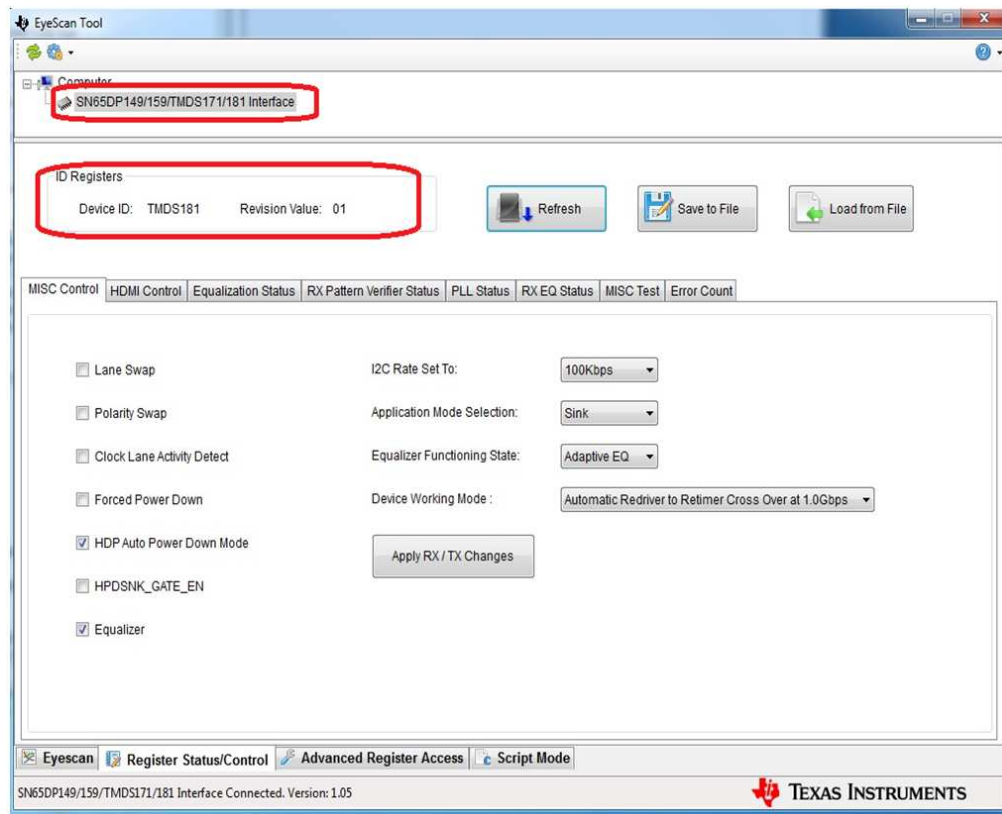


Figure 4. Register Status/Control Tab

Select the *Register Status/Control* tab and hit *Refresh*. TMDS181 should appear in the Device ID field. Various registers can be accessed by selecting the tabs. The Script Mode tab can also be used to both read and write registers

The HDMI Control Tab can be used to determine if the TMDS181 is running at HDMI 1.4B speeds or HDMI 2.0 speeds:

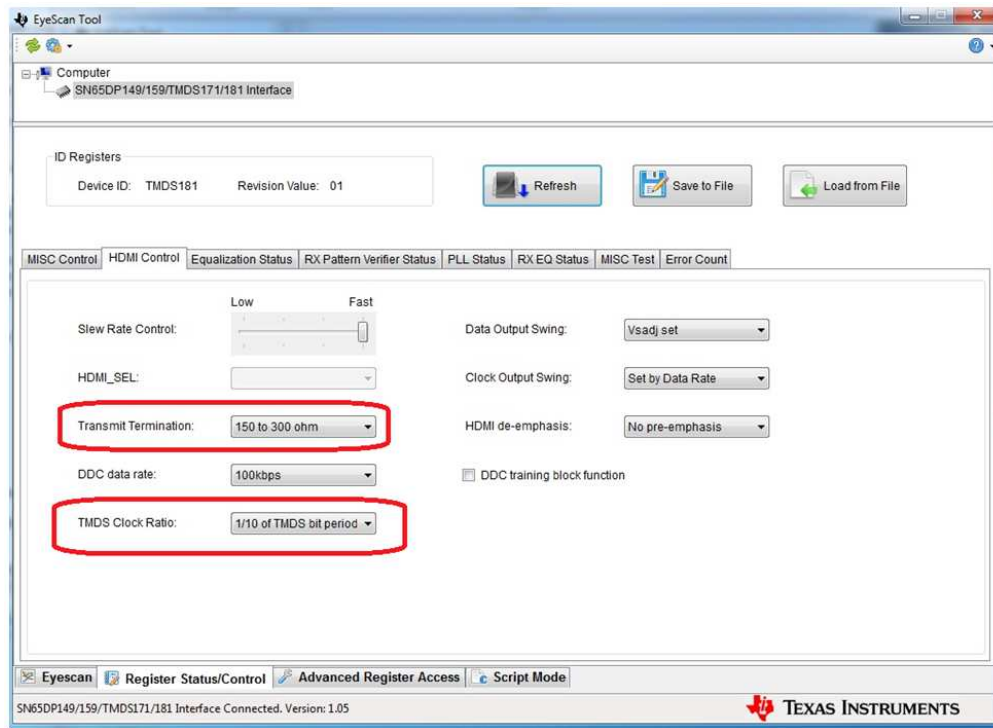


Figure 5. TMD5181 HDMI 1.4B Operation

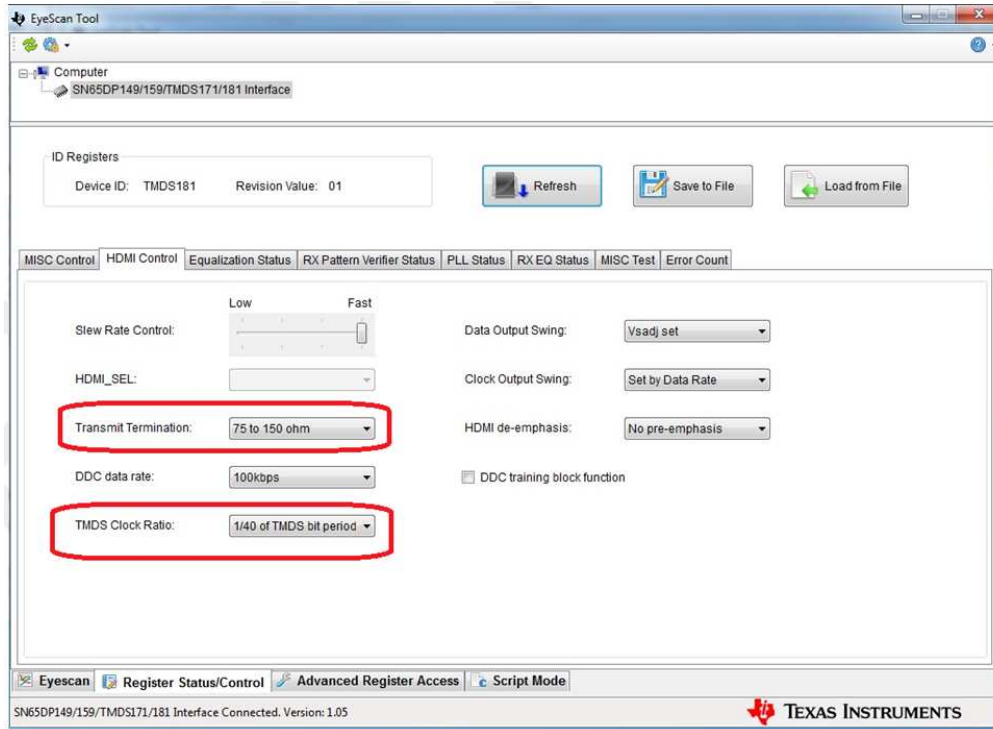


Figure 6. TMD5181 HDMI 2.0 Operation

The Eyescan tab can be used to generate an eye of the signal at the TMD5181 receiver. No eye is generated for the clock lane.

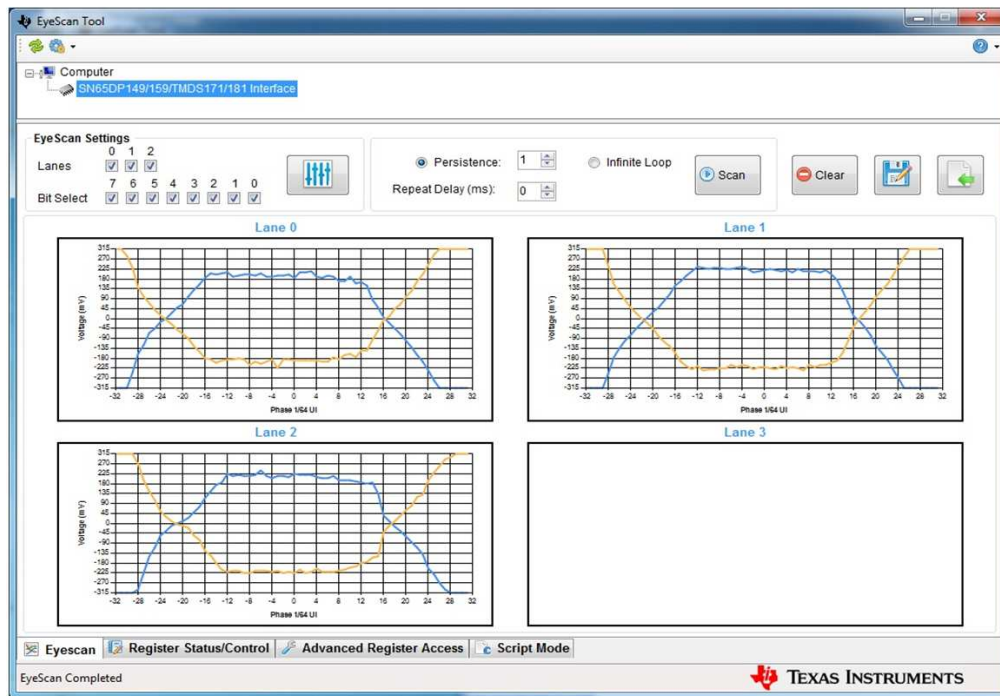


Figure 7. Sample Eyescan at HDMI1.4B

Please note that at HDMI 2.0 speeds there is a bug that causes invalid eyescan results. Results that look like this:

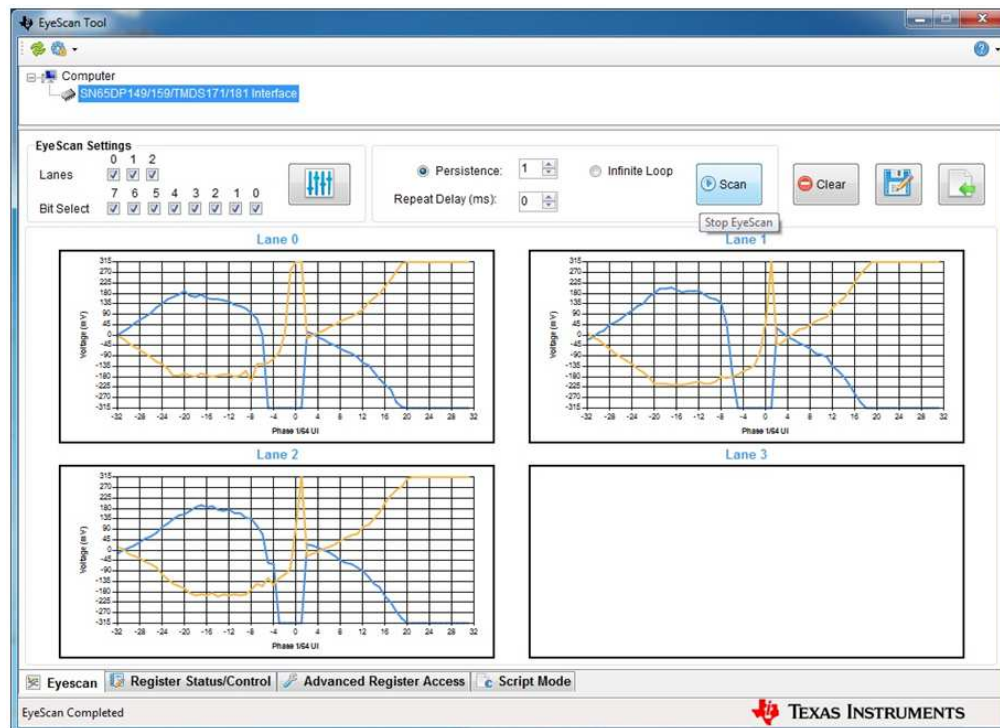


Figure 8. Sample Eyescan at HDMI2.0 Raw

Should be interpreted as this:

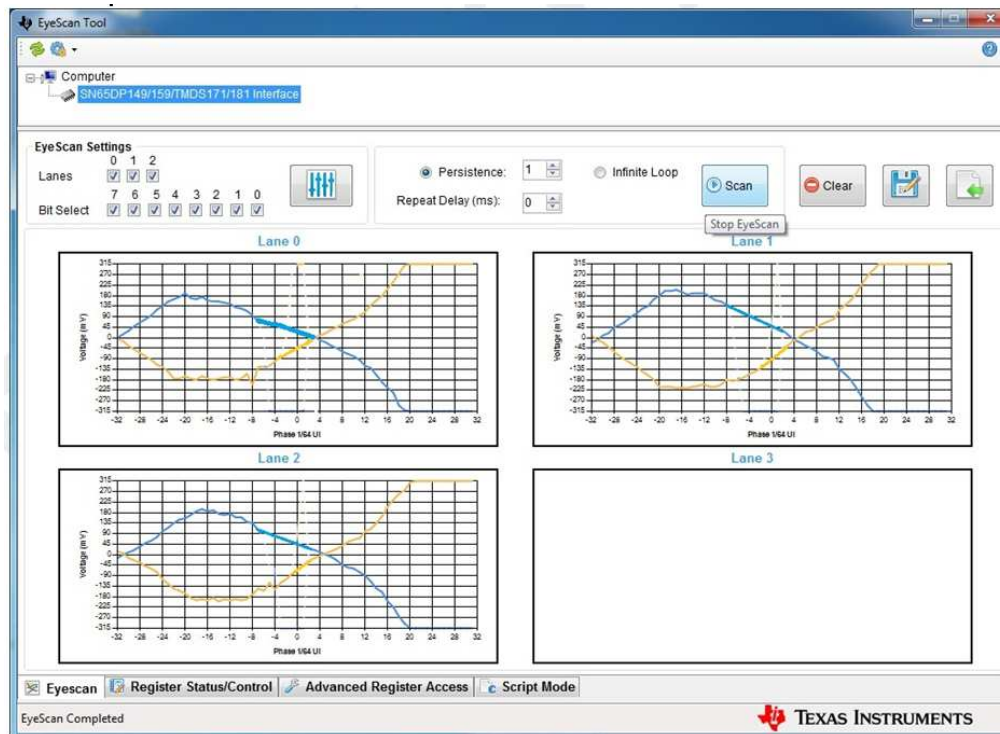


Figure 9. Sample Eyescan at HDMI2.0 Interpreted

4 References

1. [TMD5181 Product Preview](#)
2. Aardvark™ [Adapter User Manual](#)
3. [High-Definition Multimedia Interface Specification Version 1.4b.](#)
4. [High-Definition Multimedia Interface Specification Version 2.0.](#)

5 EVM Bill of Materials

Table 4 lists the EVM BOM.

Table 4. EVM Bill of Materials

Item	Qty	Reference	Part	PCB Footprint	Manufacturer	Part Number	Pkg	Click to Order	Description
1	5	C4,C5,C6,C7,C52	1 uF	603	Taiyo Yuden	LMK107B7105KA-T	603	587-1242-1-ND	CAP CER 1UF 10V 10% X7R 0603
2	12	C9,C10,C17,C18,C19,C21,C23,C29,C40,C46,C59,C60	0.1uF	402	Yageo	CC0402KRX5R6BB104	402	311-1336-1-ND	CAP CERAMIC .1UF 10V X5R 0402
3	5	C8,C20,C35,C36,C57	10uF	805	TDK	C2012X5R1A106K125AB	805	445-7660-1-ND	CAP CER 10UF 10V 10% X5R 0805
4	1	C31	10uF	805	TDK	C2012X5R1C106K085A C	805	445-7644-1-ND	CAP CER 10UF 16V 10% X5R 0805
5	5	C22,C37,C41,C42,C47	0.01uF	402	Murata	GRM155R71H103KA88D	402	490-4516-1-ND	CAP CER 10000PF 50V 10% X7R 0402
6	0	C26 - DNI	DNI_200nF	402	Taiyo Yuden	LMK105BJ224KV-F	402	587-1228-2-ND	CAP CER 0.22UF 10V 10% X5R 0402
7	1	C27	18pF	402	AVX	04025A180JAT2A	402	478-1073-1-ND	CAP CERM 18PF 5% 50V NP0 0402
8	1	C28	220pF	402	Taiyo Yuden	UMK105B7221KV-F	402	587-1218-1-ND	CAP CER 220PF 50V 10% X7R 0402
9	1	C30	220uF	7343	Kemet	T495X337K010ATE060	7343	399-10429-1-ND	CAP TANT 220UF 16V 10% 2917
10	1	C34	3.3 nF	402	Samsung	CL05B332KB5NNNC	402	1276-1552-1-ND	CAP CER 3300PF 50V 10% X7R 0402
11	1	C32	22uF	805	Murata	GRM21BR60J226ME39L	805	490-1719-2-ND	CAP CER 22UF 6.3V 20% X5R 0805
12	2	C39,C58	2.2uF	805	Taiyo Yuden	EMK212BJ225KG-T	805	587-1293-2-ND	CAP CER 2.2UF 16V 10% X5R 0805
13	0	R35,R87,R92,R93,R120,C38,R129,R130,R24,R25,R16,R17 - DNI	DNI	402 / 201					
14	2	C45,C49	22pF	402	Murata	GRM1555C1H220JA01D	402	490-5868-1-ND	CAP CER 22PF 50V 5% NP0 0402
15	2	C50,C51	33pF	402	Murata	GRM1555C1H330JA01D	402	490-5936-2-ND	CAP CER 33PF 50V 5% NP0 0402
16	1	D1	Zener 6V	SOT23	Diodes Inc.	MMBZ5233B-FDICT-ND	SOT23	MMBZ5233B-FDICT-ND	DIODE ZENER 6V 350MW SOT23-3
17	1	D2	LED Green 0805	805	Lite On	LTST-C171GKT	805	160-1423-1-ND	LED GREEN CLEAR THIN 0805 SMD
18	1	JP1	JUMPER	HDR_THVT_1x2_100	3M	961102-6404-AR	HDR2X1	3M9447-ND	CONN HEADER VERT SGL 2POS GOLD
19	11	J1,J3,J4,J6,J7,J8,J11,J12,J14,J15,J17	HDR3X1 M .1	HDR_THVT_1x3_100	3M	961103-6404-AR	HDR3X1	3M9448-ND	CONN HEADER VERT SGL 3POS GOLD
20	1	J5	Header 5x2 0.1" thru-hole	con_thvt_shrd_2x5_100_m	3M	N2510-6002-RB	con_thvt_shrd_2x5_100_m	MHC10K-ND	CONN HEADER 10 POS STRGHT GOLD
21	1	J9	2.1mm x 5.5mm	PJ-202AH	CUI Inc.	PJ-202AH (PJ-002AH)	2.1mm x 5.5mm	CP-202AH-ND	CONN PWR JACK 2.1X5.5MM HIGH CUR
22	1	J13	USB Micro B	USB Micro B	FCI	10103592-0001LF	USB MICRO	609-4048-2-ND	CONN RCPT REV MICRO USB B R/A
23	17	LP1,LP2,LP3,LP4,LP5,LP6,LP7,LP8,LP9,LP10,LP11,LP12,LP13,LP14,LP15,LP16,LP17	LP	TESTLOOP	Keystone Electronics	5006	THRU	36-5006-ND	TEST POINT PC COMPACT .063"D BLK
24	1	L1	2.2 uH	1008	TDK	VLS252010ET-2R2M	1008	445-6629-1-ND	INDUCTOR POWER 2.2UH 1.3A SMD
25	1	L2	1 uH	1008	TDK	NLCV25T-1R0M-EFR	1008	445-17086-1-ND	INDUCTOR POWER 1.0UH 1008
26	1	P1	HDMI_IN	CON_HDMI_RT_19_0p50mm	Molex	471510001	CON_HDMI_RT_19_0p50mm	WM19086CT-ND	CONN RCPT 19POS HDMI RT ANG SMD
27	1	P2	HDMI_OUT	CON_HDMI_RT_19_0p50mm	Molex	471510001	CON_HDMI_RT_19_0p50mm	WM19086CT-ND	CONN RCPT 19POS HDMI RT ANG SMD
28	2	Q1,Q2	FDV301N_NFET_8V	SOT23	Fairchild Semiconductor	FD301N	SOT23	FDV301NCT-ND	MOSFET N-CH 25V 220MA SOT-23
29	1	R5	100	402	Yageo	RC0402FR-07100RL	402	311-100LRCT-ND	RES SMD 100 OHM 5% 1/16W 0402

Table 4. EVM Bill of Materials (continued)

Item	Qty	Reference	Part	PCB Footprint	Manufacturer	Part Number	Pkg	Click to Order	Description
30	6	R10,R11,R99,R100,R101,R121	1K	402	Yageo	RC0402JR-071KL	402	311-1.0KJRCT-ND	RES SMD 1K OHM 5% 1/16W 0402
31	2	R12,R81	100K	402	Yageo	RC0402JR-07100KL	402	311-100KJRCT-ND	RES SMD 100K OHM 5% 1/16W 0402
32	1	R13	10	402	Yageo	RC0402JR-0710RL	402	311-10JRCT-ND	RES SMD 10 OHM 5% 1/16W 0402
33	5	R34,R123,R124,R125,R126	0	201	Panasonic	ERJ-1GN0R00C	201	P15979CT-ND	RES SMD 0.0 OHM JUMPER 1/20W
34	2	R58,R59	2K	402	Yageo	RC0402JR-072KL	402	311-2.0KJRTR-ND	RES SMD 2K OHM 5% 1/16W 0402
35	8	R77,R80,R83,R84,R89,R104,R122,R131	0	402	Panasonic	ERJ-2GE0R00X	402	P0.0JTR-ND	RES SMD 0.0 OHM JUMPER 1/10W
36	1	R127	500K	402	Yageo	RC0402FR-07499KL	402	311-499KLRTR-ND	RES SMD 499K OHM 1% 1/16W 0402
37	1	R36	75	402	Yageo	RC0402JR-0775RL	402	311-75JRTR-ND	RES SMD 75 OHM 5% 1/16W 0402
38	14	R57,R60,R61,R62,R63,R64,R66,R68,R69,R70,R71,R72,R73,R74	65K	402	Yageo	RC0402FR-0764K9L	402	311-64.9KLRTR-ND	RES SMD 64.9K OHM 1% 1/16W 0402
39	1	R75	7.06K (6.98K OK)	402	Vishay Dale	CRCW04026K98FKED	402	541-6.98KLRTR-ND	RES SMD 6.98K OHM 1% 1/16W 0402
40	1	R76	PTV09 10K POT	THRUHOLE	BOURNS	PTV09A-4015F-B103	THRUHOLE	PTV09A-4015F-B103-ND	POT 10K OHM 9MM SQ .05W CARB
41	3	R78,R98,R102	10K	402	Yageo	RC0402JR-0710KL	402	311-10KJRTR-ND	RES SMD 10K OHM 5% 1/16W 0402
42	2	R79,R88	4.7K	402	Yageo	RC0402JR-074K7L	402	311-4.7KJRTR-ND	RES SMD 4.7K OHM 5% 1/16W 0402
43	1	R82	500	402	Vishay Dale	CRCW0402499RDHEDP	402	541-499AVTR-ND	RES SMD 499 OHM 0.5% 1/16W 0402
44	1	R85	750K	402	Vishay Dale	CRCW0402750KJNED	402	541-750KJTR-ND	RES SMD 750K OHM 5% 1/16W 0402
45	1	R86	240K	402	Vishay Dale	CRCW0402240KJNED	402	541-240KJTR-ND	RES SMD 240K OHM 5% 1/16W 0402
46	1	R90	2.21K	402	Yageo	RC0402FR-072K21L	402	311-2.21KLRTR-ND	RES SMD 2.21K OHM 1% 1/16W 0402
47	1	R91	4.42K	402	Stackpole	RMCF0402FT4K42	402	RMCF0402FT4K42TR-ND	RES SMD 4.42K OHM 1% 1/16W 0402
48	1	R94	1.5K	402	Yageo	RC0402JR-071K5L	402	311-1.5KJRTR-ND	RES SMD 1.5K OHM 5% 1/16W 0402
49	2	R95,R96	33	201	Yageo	RC0201JR-0733RL	201	311-33NTR-ND	RES SMD 33 OHM 5% 1/20W 0201
50	1	R103	15K	402	Yageo	RC0402JR-0715KL	402	311-15KJRTR-ND	RES SMD 15K OHM 5% 1/16W 0402
51	3	R45,R46,R115	47K	402	Rohm	MCR01MRTJ473	402	RHM47KCETR-ND	RES SMD 47K OHM 5% 1/16W 0402
52	1	SW1	PB_SWITCH	SW_MOM_2NO	OMRON	B3SN-3012P	SW_MOM_2NO	SW261CT-ND	SWITCH TACTILE SPST-NO 0.05A 24V
53	1	SW2	3POS_SPDT	THRUHOLE_3POS	NKK Switches	MS13ANW03	THRUHOLE_3POS	360-2386-ND	SW SLIDE SPDT 6A SILVER STR 125V
54	1	U1	TMDS181RGZ	48_RGZ	TI		48_RGZ		
55	1	U3	TPS3808G30DBVT	6DBV	TI	TPS3808G30DBVT	6DBV	296-26944-1-ND	IC VOLT SUPERVISOR 3.0V SOT23-6
56	1	U4	TPS62150A	RGT16	TI	TPS62150ARGTT	RGT16	296-36472-1-ND	IC REG BUCK SYNC ADJ 1A 16QFN
57	0	U6 - DNI	TPS61240 - DNI	6DRV	TI	TPS61240DRV	6DRV	296-24519-1-ND	IC REG BOOST SYNC 5V 0.45A 6SON
58	1	U5	TPS74201RGWT	RGW20	TI	TPS74201RGWT	RGW20	296-19891-1-ND	IC REG LDO ADJ 1.5A 20VQFN
59	1	U7	TUSB3410	LQFP32	TI	TUSB3410VF	LQFP-32	296-12699-ND	IC CONV SERIAL-TO-USB 32-LQFP
60	1	U8	24LC256	8SOIC	ON Semiconductor	CAT24C256W	8SOIC	CAT24C256WI-GT3OSCT-ND	IC EEPROM 256KBIT 400KHZ 8SOIC
61	1	Y1	12 MHz Crystal	ECX-32	ECS Inc.	ECS-120-20-33-TR	4-SMD	XC1808CT-ND	CRYSTAL 12MHZ 20PF SMD
62	1	U16	TPD2E001	drl_5pin	TI	TPD2E001	drl_5pin	296-21883-2-ND	TVS DIODE 5.5VWM 100VC SOT5
63	4	EVM Assembly	0.75" Standoff	4-40 - F/F	Keystone Electronics	2029	OD 0.187"	36-2029-ND	ROUND STANDOFF 4-40 ALUM 3/4"
64	4	EVM Assembly	0.25"- Stainless Steel Screws	4-40 Phillips Panhead	Building Fasteners	PMSSS 440 0025 PH	OD 0.187"	H703-ND	MACHINE SCREW PAN PHILLIPS 4-40

Table 4. EVM Bill of Materials (continued)

Item	Qty	Reference	Part	PCB Footprint	Manufacturer	Part Number	Pkg	Click to Order	Description
65	4	Shunts	Shunt	SHUNT	3M	969102-0000-DA	SHUNT	3M9580-ND	SHUNT JUMPER .1" BLACK GOLD
66	1	PCB	TMDS181RGZEVM						

6 EVM Schematics

Figure 10 to Figure 16 illustrate the EVM schematics.

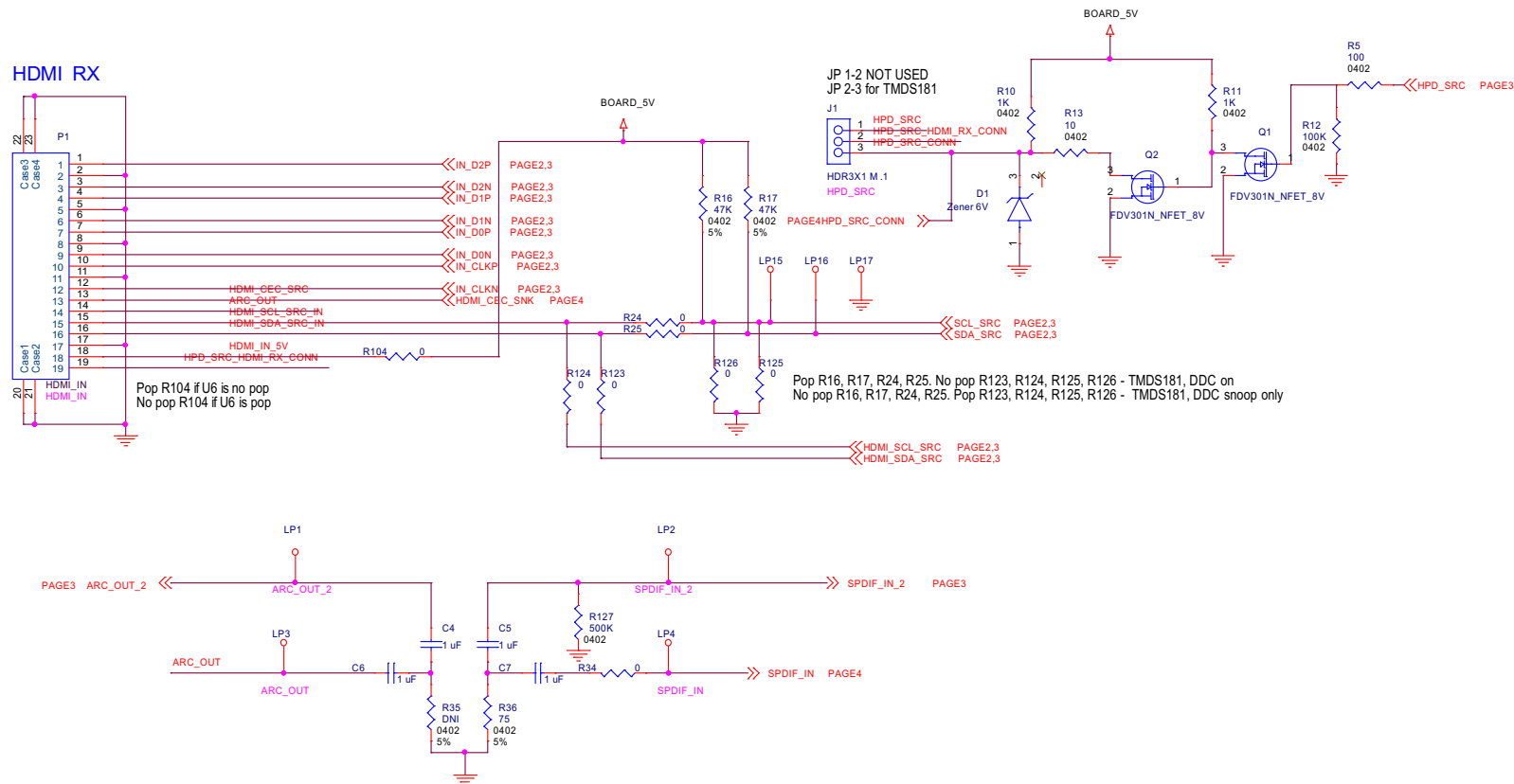
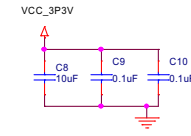
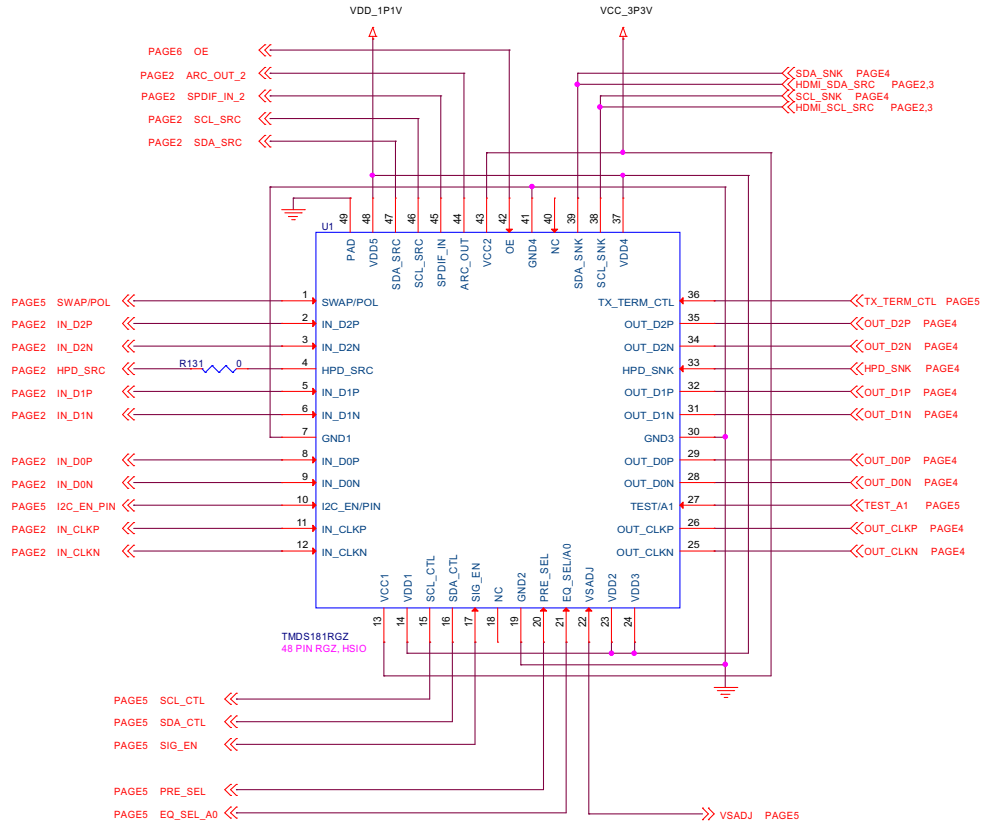
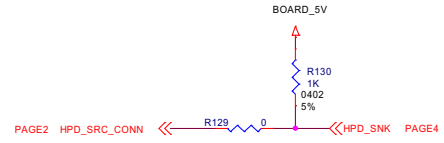
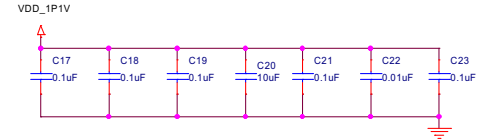


Figure 10. HDMI Input



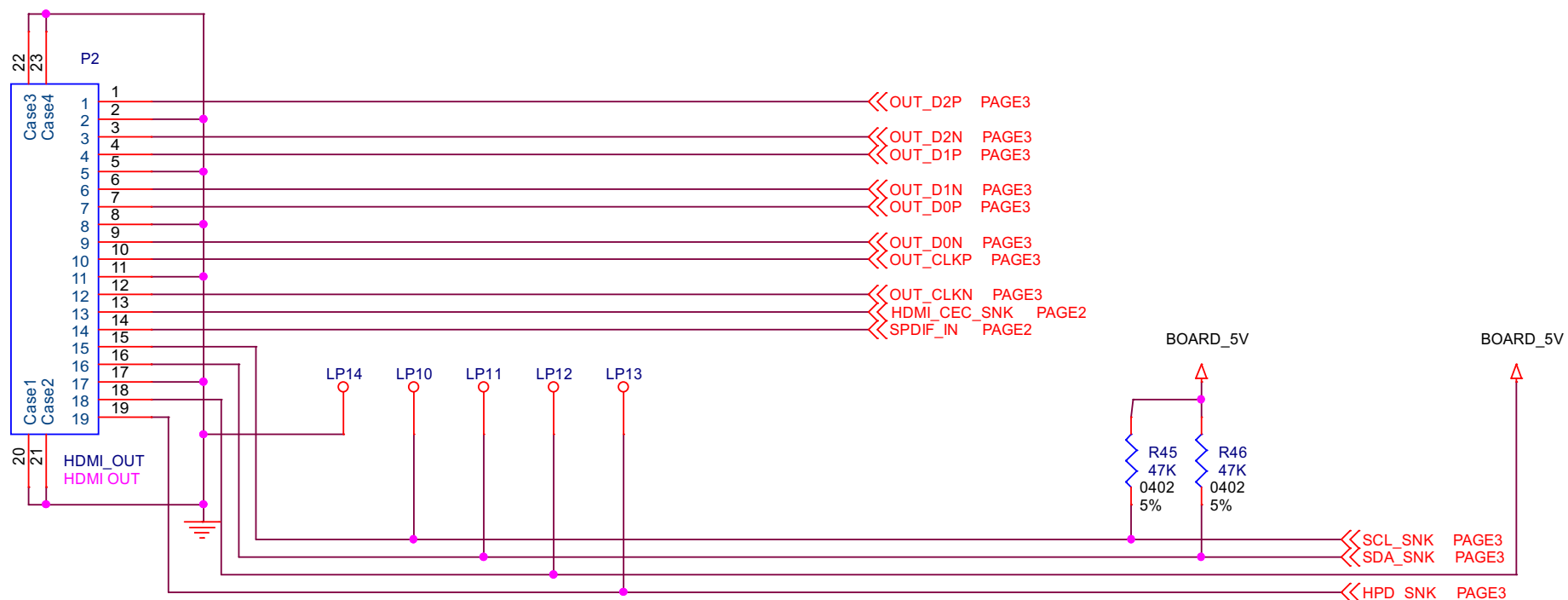
Note for TMS1x1 products Board 1.1V is set to 1.2V



Pop R131, no pop R129, R130 for HPD on
 No pop R131, pop R129, R130 for HPD snoop only

Figure 11. EVM Pin

HDMI TX



Pop 2K resistors on R45, R46 for TMDS181, DDC on
 Pop 47K resistors on R45, R46 for TMDS181, DDC snoop only

Figure 12. HDMI TX Connector

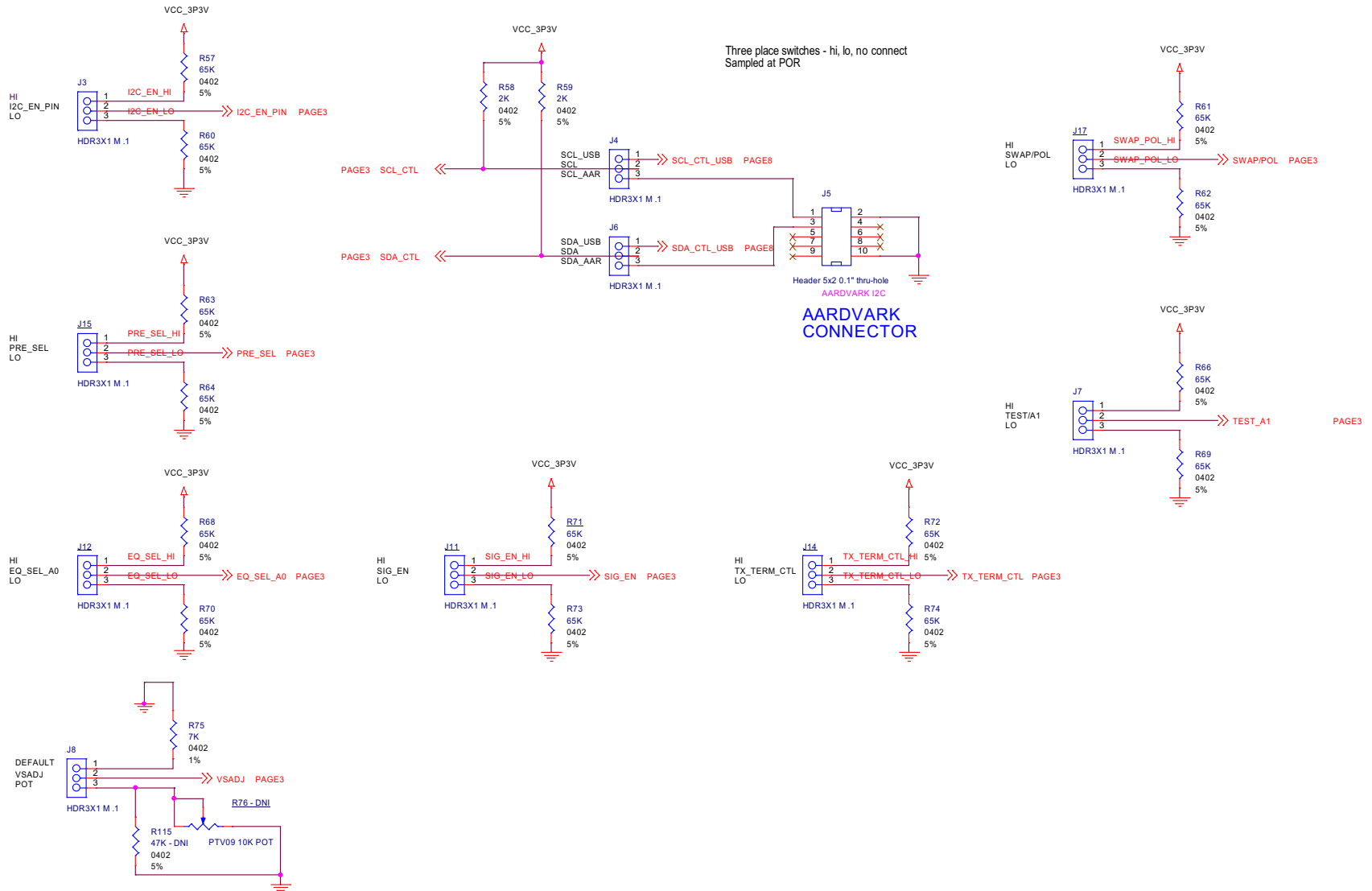


Figure 13. Select Options

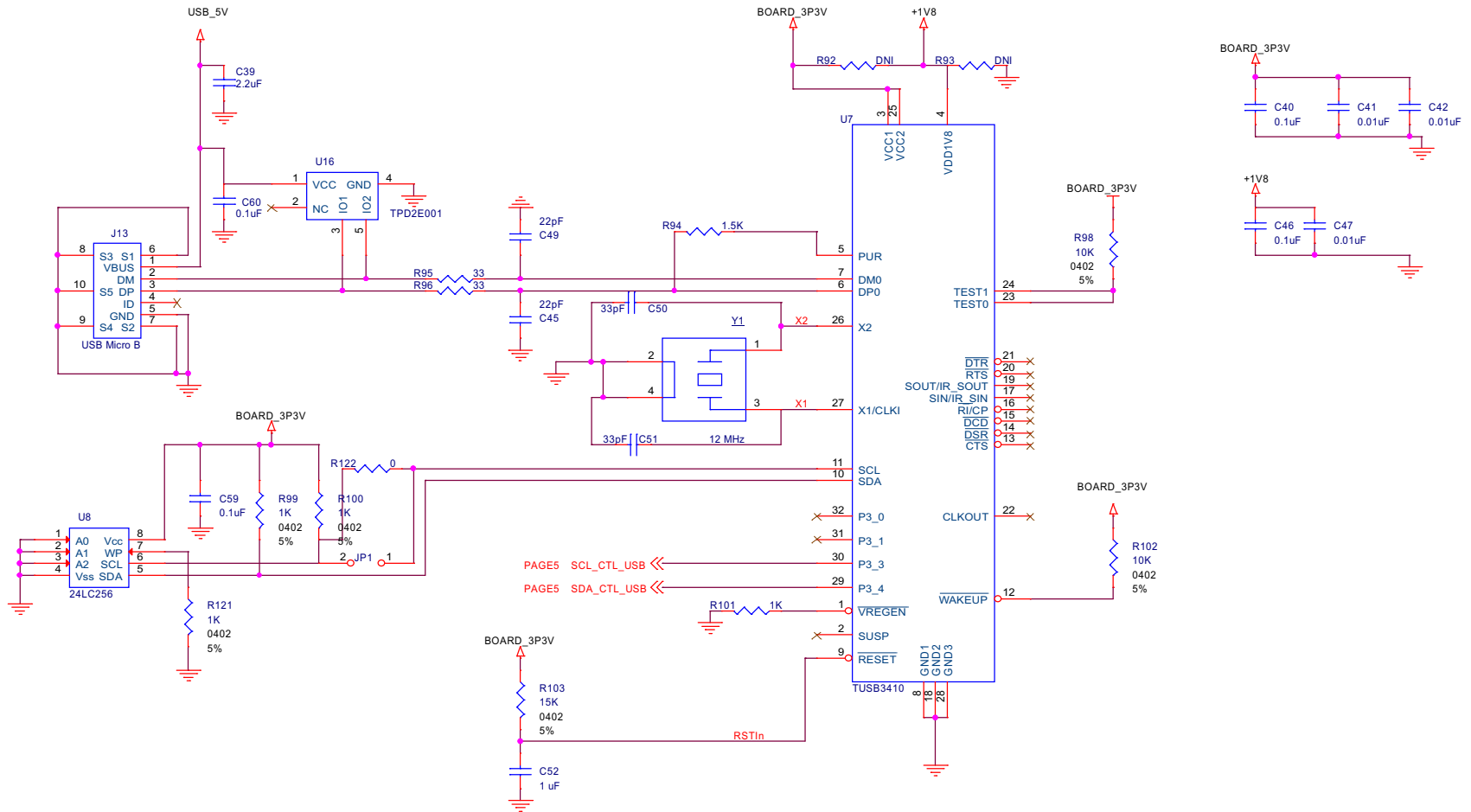


Figure 15. Regulators

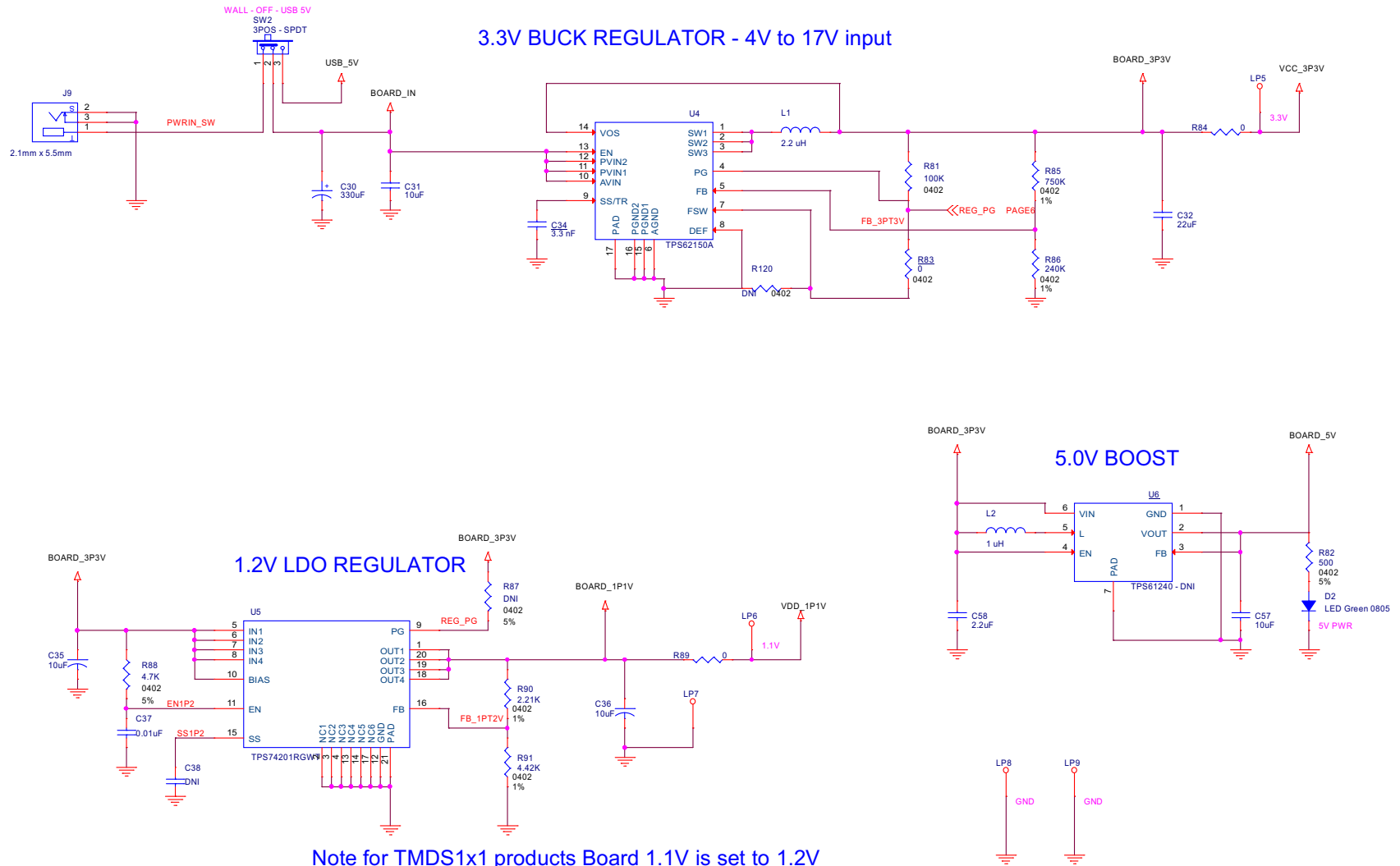


Figure 16. TUSB3410

7 EVM Layout

Figure 17 through Figure 22 contain illustrations of the EVM PCB layout.

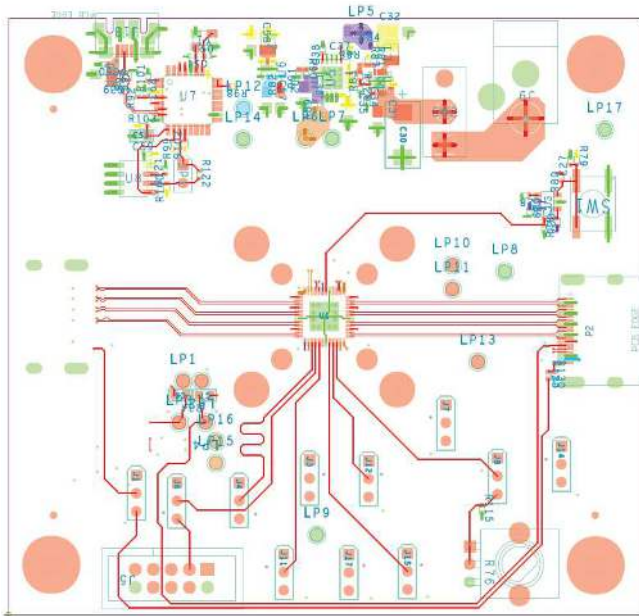


Figure 17. Layer 1 (Top)

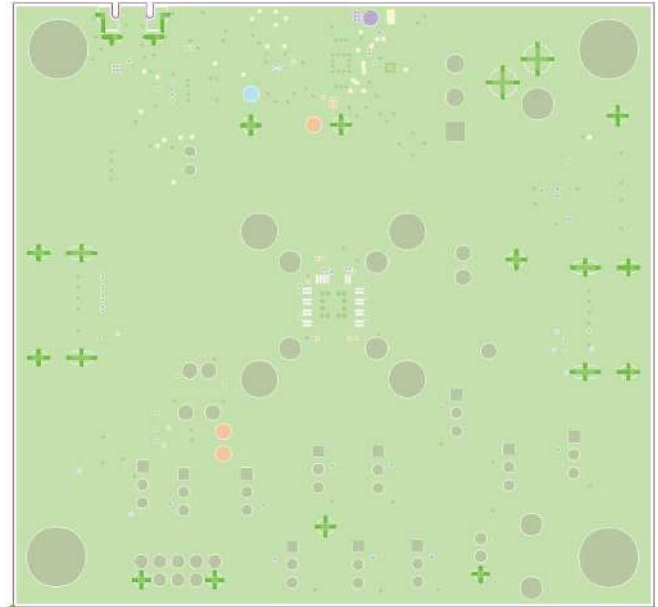


Figure 18. Layer 2 (GND)

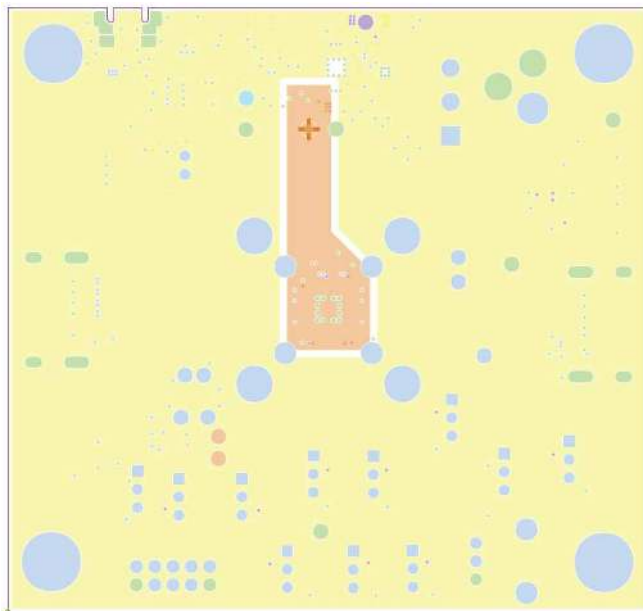


Figure 19. Layer 3 (Power)



Figure 20. Layer 4 (Power)

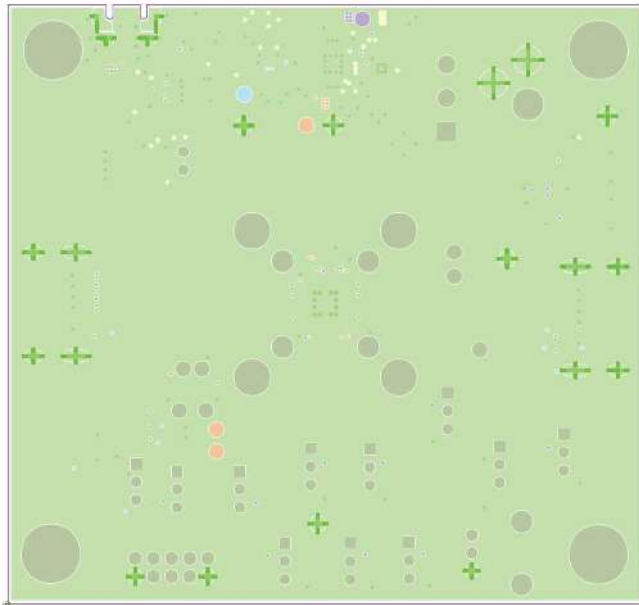


Figure 21. Layer 5 (GND)

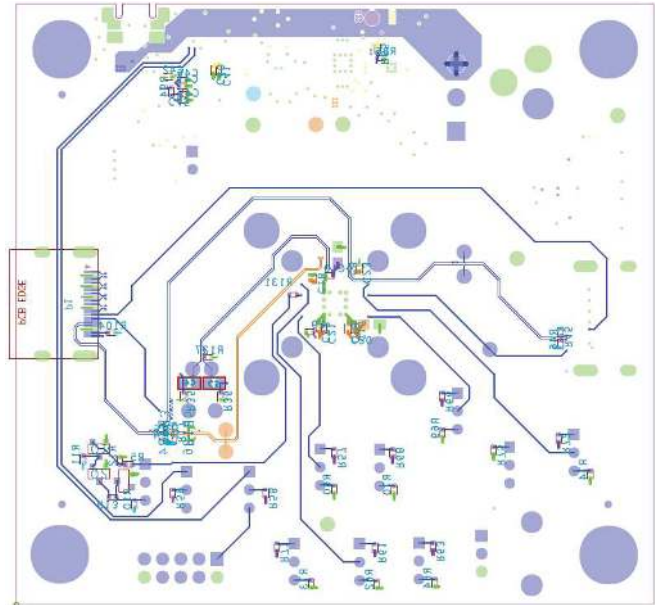


Figure 22. Layer 6 (Bottom)

8 Total Phase Aardvark I²C Host Adapter Scripts

Please request the latest scripts from your TI representative.

Revision History

Changes from Original (October 2015) to A Revision	Page
• Changed device EVM name to TMDS181RGZEVm throughout the document.	1
• Removed references to DP159 in the <i>What is the TMDS181 EVM?</i> section.	2
• Changed board image in Figure 1.....	3
• Removed reference to DisplayPort in the <i>Video Connectors for TMDS181 Ports</i> section.	4
• Removed reference to <i>exceeding USB compliance requirements for power consumption</i> in the paragraph following the NOTE.....	5
• Changed <i>SW1 DIP Switch Setting</i> table.	6
• Removed paragraph and table in the <i>Component Population Configuration</i> section.	6
• Updated for <i>Component Population Configuration Rev B</i>	6
• Moved <i>USB Interface via TUSB3410</i> section.....	7
• Expanded <i>Quick Start Guide</i> section.	7

NOTE: Page numbers for previous revisions may differ from page numbers in the current version.

STANDARD TERMS AND CONDITIONS FOR EVALUATION MODULES

1. *Delivery:* TI delivers TI evaluation boards, kits, or modules, including any accompanying demonstration software, components, or documentation (collectively, an "EVM" or "EVMs") to the User ("User") in accordance with the terms and conditions set forth herein. Acceptance of the EVM is expressly subject to the following terms and conditions.
 - 1.1 EVMs are intended solely for product or software developers for use in a research and development setting to facilitate feasibility evaluation, experimentation, or scientific analysis of TI semiconductors products. EVMs have no direct function and are not finished products. EVMs shall not be directly or indirectly assembled as a part or subassembly in any finished product. For clarification, any software or software tools provided with the EVM ("Software") shall not be subject to the terms and conditions set forth herein but rather shall be subject to the applicable terms and conditions that accompany such Software
 - 1.2 EVMs are not intended for consumer or household use. EVMs may not be sold, sublicensed, leased, rented, loaned, assigned, or otherwise distributed for commercial purposes by Users, in whole or in part, or used in any finished product or production system.
2. *Limited Warranty and Related Remedies/Disclaimers:*
 - 2.1 These terms and conditions do not apply to Software. The warranty, if any, for Software is covered in the applicable Software License Agreement.
 - 2.2 TI warrants that the TI EVM will conform to TI's published specifications for ninety (90) days after the date TI delivers such EVM to User. Notwithstanding the foregoing, TI shall not be liable for any defects that are caused by neglect, misuse or mistreatment by an entity other than TI, including improper installation or testing, or for any EVMs that have been altered or modified in any way by an entity other than TI. Moreover, TI shall not be liable for any defects that result from User's design, specifications or instructions for such EVMs. Testing and other quality control techniques are used to the extent TI deems necessary or as mandated by government requirements. TI does not test all parameters of each EVM.
 - 2.3 If any EVM fails to conform to the warranty set forth above, TI's sole liability shall be at its option to repair or replace such EVM, or credit User's account for such EVM. TI's liability under this warranty shall be limited to EVMs that are returned during the warranty period to the address designated by TI and that are determined by TI not to conform to such warranty. If TI elects to repair or replace such EVM, TI shall have a reasonable time to repair such EVM or provide replacements. Repaired EVMs shall be warranted for the remainder of the original warranty period. Replaced EVMs shall be warranted for a new full ninety (90) day warranty period.
3. *Regulatory Notices:*
 - 3.1 *United States*
 - 3.1.1 *Notice applicable to EVMs not FCC-Approved:*

This kit is designed to allow product developers to evaluate electronic components, circuitry, or software associated with the kit to determine whether to incorporate such items in a finished product and software developers to write software applications for use with the end product. This kit is not a finished product and when assembled may not be resold or otherwise marketed unless all required FCC equipment authorizations are first obtained. Operation is subject to the condition that this product not cause harmful interference to licensed radio stations and that this product accept harmful interference. Unless the assembled kit is designed to operate under part 15, part 18 or part 95 of this chapter, the operator of the kit must operate under the authority of an FCC license holder or must secure an experimental authorization under part 5 of this chapter.
 - 3.1.2 *For EVMs annotated as FCC – FEDERAL COMMUNICATIONS COMMISSION Part 15 Compliant:*

CAUTION

This device complies with part 15 of the FCC Rules. Operation is subject to the following two conditions: (1) This device may not cause harmful interference, and (2) this device must accept any interference received, including interference that may cause undesired operation.

Changes or modifications not expressly approved by the party responsible for compliance could void the user's authority to operate the equipment.

FCC Interference Statement for Class A EVM devices

NOTE: This equipment has been tested and found to comply with the limits for a Class A digital device, pursuant to part 15 of the FCC Rules. These limits are designed to provide reasonable protection against harmful interference when the equipment is operated in a commercial environment. This equipment generates, uses, and can radiate radio frequency energy and, if not installed and used in accordance with the instruction manual, may cause harmful interference to radio communications. Operation of this equipment in a residential area is likely to cause harmful interference in which case the user will be required to correct the interference at his own expense.

FCC Interference Statement for Class B EVM devices

NOTE: This equipment has been tested and found to comply with the limits for a Class B digital device, pursuant to part 15 of the FCC Rules. These limits are designed to provide reasonable protection against harmful interference in a residential installation. This equipment generates, uses and can radiate radio frequency energy and, if not installed and used in accordance with the instructions, may cause harmful interference to radio communications. However, there is no guarantee that interference will not occur in a particular installation. If this equipment does cause harmful interference to radio or television reception, which can be determined by turning the equipment off and on, the user is encouraged to try to correct the interference by one or more of the following measures:

- Reorient or relocate the receiving antenna.
- Increase the separation between the equipment and receiver.
- Connect the equipment into an outlet on a circuit different from that to which the receiver is connected.
- Consult the dealer or an experienced radio/TV technician for help.

3.2 Canada

3.2.1 For EVMs issued with an Industry Canada Certificate of Conformance to RSS-210

Concerning EVMs Including Radio Transmitters:

This device complies with Industry Canada license-exempt RSS standard(s). Operation is subject to the following two conditions: (1) this device may not cause interference, and (2) this device must accept any interference, including interference that may cause undesired operation of the device.

Concernant les EVMs avec appareils radio:

Le présent appareil est conforme aux CNR d'Industrie Canada applicables aux appareils radio exempts de licence. L'exploitation est autorisée aux deux conditions suivantes: (1) l'appareil ne doit pas produire de brouillage, et (2) l'utilisateur de l'appareil doit accepter tout brouillage radioélectrique subi, même si le brouillage est susceptible d'en compromettre le fonctionnement.

Concerning EVMs Including Detachable Antennas:

Under Industry Canada regulations, this radio transmitter may only operate using an antenna of a type and maximum (or lesser) gain approved for the transmitter by Industry Canada. To reduce potential radio interference to other users, the antenna type and its gain should be so chosen that the equivalent isotropically radiated power (e.i.r.p.) is not more than that necessary for successful communication. This radio transmitter has been approved by Industry Canada to operate with the antenna types listed in the user guide with the maximum permissible gain and required antenna impedance for each antenna type indicated. Antenna types not included in this list, having a gain greater than the maximum gain indicated for that type, are strictly prohibited for use with this device.

Concernant les EVMs avec antennes détachables

Conformément à la réglementation d'Industrie Canada, le présent émetteur radio peut fonctionner avec une antenne d'un type et d'un gain maximal (ou inférieur) approuvé pour l'émetteur par Industrie Canada. Dans le but de réduire les risques de brouillage radioélectrique à l'intention des autres utilisateurs, il faut choisir le type d'antenne et son gain de sorte que la puissance isotrope rayonnée équivalente (p.i.r.e.) ne dépasse pas l'intensité nécessaire à l'établissement d'une communication satisfaisante. Le présent émetteur radio a été approuvé par Industrie Canada pour fonctionner avec les types d'antenne énumérés dans le manuel d'usage et ayant un gain admissible maximal et l'impédance requise pour chaque type d'antenne. Les types d'antenne non inclus dans cette liste, ou dont le gain est supérieur au gain maximal indiqué, sont strictement interdits pour l'exploitation de l'émetteur.

3.3 Japan

3.3.1 *Notice for EVMs delivered in Japan:* Please see http://www.tij.co.jp/lstds/ti_ja/general/eStore/notice_01.page 日本国内に輸入される評価用キット、ボードについては、次のところをご覧ください。
http://www.tij.co.jp/lstds/ti_ja/general/eStore/notice_01.page

3.3.2 *Notice for Users of EVMs Considered "Radio Frequency Products" in Japan:* EVMs entering Japan may not be certified by TI as conforming to Technical Regulations of Radio Law of Japan.

If User uses EVMs in Japan, not certified to Technical Regulations of Radio Law of Japan, User is required by Radio Law of Japan to follow the instructions below with respect to EVMs:

1. Use EVMs in a shielded room or any other test facility as defined in the notification #173 issued by Ministry of Internal Affairs and Communications on March 28, 2006, based on Sub-section 1.1 of Article 6 of the Ministry's Rule for Enforcement of Radio Law of Japan,
2. Use EVMs only after User obtains the license of Test Radio Station as provided in Radio Law of Japan with respect to EVMs, or
3. Use of EVMs only after User obtains the Technical Regulations Conformity Certification as provided in Radio Law of Japan with respect to EVMs. Also, do not transfer EVMs, unless User gives the same notice above to the transferee. Please note that if User does not follow the instructions above, User will be subject to penalties of Radio Law of Japan.

【無線電波を送信する製品の開発キットをお使いになる際の注意事項】 開発キットの中には技術基準適合証明を受けていないものがあります。技術適合証明を受けていないものご使用に際しては、電波法遵守のため、以下のいずれかの措置を取っていただく必要がありますのでご注意ください。

1. 電波法施行規則第6条第1項第1号に基づく平成18年3月28日総務省告示第173号で定められた電波暗室等の試験設備でご使用いただく。
2. 実験局の免許を取得後ご使用いただく。
3. 技術基準適合証明を取得後ご使用いただく。

なお、本製品は、上記の「ご使用にあたっての注意」を譲渡先、移転先に通知しない限り、譲渡、移転できないものとします。

上記を遵守頂けない場合は、電波法の罰則が適用される可能性があることをご留意ください。日本テキサス・インスツルメンツ株式会社
東京都新宿区西新宿 6 丁目 2 4 番 1 号
西新宿三井ビル

3.3.3 *Notice for EVMs for Power Line Communication:* Please see http://www.tij.co.jp/llds/ti_ja/general/eStore/notice_02.page
電力線搬送波通信についての開発キットをお使いになる際の注意事項については、次のところをご覧ください。http://www.tij.co.jp/llds/ti_ja/general/eStore/notice_02.page

4 *EVM Use Restrictions and Warnings:*

4.1 EVMS ARE NOT FOR USE IN FUNCTIONAL SAFETY AND/OR SAFETY CRITICAL EVALUATIONS, INCLUDING BUT NOT LIMITED TO EVALUATIONS OF LIFE SUPPORT APPLICATIONS.

4.2 User must read and apply the user guide and other available documentation provided by TI regarding the EVM prior to handling or using the EVM, including without limitation any warning or restriction notices. The notices contain important safety information related to, for example, temperatures and voltages.

4.3 *Safety-Related Warnings and Restrictions:*

4.3.1 User shall operate the EVM within TI's recommended specifications and environmental considerations stated in the user guide, other available documentation provided by TI, and any other applicable requirements and employ reasonable and customary safeguards. Exceeding the specified performance ratings and specifications (including but not limited to input and output voltage, current, power, and environmental ranges) for the EVM may cause personal injury or death, or property damage. If there are questions concerning performance ratings and specifications, User should contact a TI field representative prior to connecting interface electronics including input power and intended loads. Any loads applied outside of the specified output range may also result in unintended and/or inaccurate operation and/or possible permanent damage to the EVM and/or interface electronics. Please consult the EVM user guide prior to connecting any load to the EVM output. If there is uncertainty as to the load specification, please contact a TI field representative. During normal operation, even with the inputs and outputs kept within the specified allowable ranges, some circuit components may have elevated case temperatures. These components include but are not limited to linear regulators, switching transistors, pass transistors, current sense resistors, and heat sinks, which can be identified using the information in the associated documentation. When working with the EVM, please be aware that the EVM may become very warm.

4.3.2 EVMs are intended solely for use by technically qualified, professional electronics experts who are familiar with the dangers and application risks associated with handling electrical mechanical components, systems, and subsystems. User assumes all responsibility and liability for proper and safe handling and use of the EVM by User or its employees, affiliates, contractors or designees. User assumes all responsibility and liability to ensure that any interfaces (electronic and/or mechanical) between the EVM and any human body are designed with suitable isolation and means to safely limit accessible leakage currents to minimize the risk of electrical shock hazard. User assumes all responsibility and liability for any improper or unsafe handling or use of the EVM by User or its employees, affiliates, contractors or designees.

4.4 User assumes all responsibility and liability to determine whether the EVM is subject to any applicable international, federal, state, or local laws and regulations related to User's handling and use of the EVM and, if applicable, User assumes all responsibility and liability for compliance in all respects with such laws and regulations. User assumes all responsibility and liability for proper disposal and recycling of the EVM consistent with all applicable international, federal, state, and local requirements.

5. *Accuracy of Information:* To the extent TI provides information on the availability and function of EVMs, TI attempts to be as accurate as possible. However, TI does not warrant the accuracy of EVM descriptions, EVM availability or other information on its websites as accurate, complete, reliable, current, or error-free.

6. *Disclaimers:*
- 6.1 EXCEPT AS SET FORTH ABOVE, EVMS AND ANY WRITTEN DESIGN MATERIALS PROVIDED WITH THE EVM (AND THE DESIGN OF THE EVM ITSELF) ARE PROVIDED "AS IS" AND "WITH ALL FAULTS." TI DISCLAIMS ALL OTHER WARRANTIES, EXPRESS OR IMPLIED, REGARDING SUCH ITEMS, INCLUDING BUT NOT LIMITED TO ANY IMPLIED WARRANTIES OF MERCHANTABILITY OR FITNESS FOR A PARTICULAR PURPOSE OR NON-INFRINGEMENT OF ANY THIRD PARTY PATENTS, COPYRIGHTS, TRADE SECRETS OR OTHER INTELLECTUAL PROPERTY RIGHTS.
- 6.2 EXCEPT FOR THE LIMITED RIGHT TO USE THE EVM SET FORTH HEREIN, NOTHING IN THESE TERMS AND CONDITIONS SHALL BE CONSTRUED AS GRANTING OR CONFERRING ANY RIGHTS BY LICENSE, PATENT, OR ANY OTHER INDUSTRIAL OR INTELLECTUAL PROPERTY RIGHT OF TI, ITS SUPPLIERS/LICENSORS OR ANY OTHER THIRD PARTY, TO USE THE EVM IN ANY FINISHED END-USER OR READY-TO-USE FINAL PRODUCT, OR FOR ANY INVENTION, DISCOVERY OR IMPROVEMENT MADE, CONCEIVED OR ACQUIRED PRIOR TO OR AFTER DELIVERY OF THE EVM.
7. *USER'S INDEMNITY OBLIGATIONS AND REPRESENTATIONS.* USER WILL DEFEND, INDEMNIFY AND HOLD TI, ITS LICENSORS AND THEIR REPRESENTATIVES HARMLESS FROM AND AGAINST ANY AND ALL CLAIMS, DAMAGES, LOSSES, EXPENSES, COSTS AND LIABILITIES (COLLECTIVELY, "CLAIMS") ARISING OUT OF OR IN CONNECTION WITH ANY HANDLING OR USE OF THE EVM THAT IS NOT IN ACCORDANCE WITH THESE TERMS AND CONDITIONS. THIS OBLIGATION SHALL APPLY WHETHER CLAIMS ARISE UNDER STATUTE, REGULATION, OR THE LAW OF TORT, CONTRACT OR ANY OTHER LEGAL THEORY, AND EVEN IF THE EVM FAILS TO PERFORM AS DESCRIBED OR EXPECTED.
8. *Limitations on Damages and Liability:*
- 8.1 *General Limitations.* IN NO EVENT SHALL TI BE LIABLE FOR ANY SPECIAL, COLLATERAL, INDIRECT, PUNITIVE, INCIDENTAL, CONSEQUENTIAL, OR EXEMPLARY DAMAGES IN CONNECTION WITH OR ARISING OUT OF THESE TERMS AND CONDITIONS OR THE USE OF THE EVMS PROVIDED HEREUNDER, REGARDLESS OF WHETHER TI HAS BEEN ADVISED OF THE POSSIBILITY OF SUCH DAMAGES. EXCLUDED DAMAGES INCLUDE, BUT ARE NOT LIMITED TO, COST OF REMOVAL OR REINSTALLATION, ANCILLARY COSTS TO THE PROCUREMENT OF SUBSTITUTE GOODS OR SERVICES, RETESTING, OUTSIDE COMPUTER TIME, LABOR COSTS, LOSS OF GOODWILL, LOSS OF PROFITS, LOSS OF SAVINGS, LOSS OF USE, LOSS OF DATA, OR BUSINESS INTERRUPTION. NO CLAIM, SUIT OR ACTION SHALL BE BROUGHT AGAINST TI MORE THAN ONE YEAR AFTER THE RELATED CAUSE OF ACTION HAS OCCURRED.
- 8.2 *Specific Limitations.* IN NO EVENT SHALL TI'S AGGREGATE LIABILITY FROM ANY WARRANTY OR OTHER OBLIGATION ARISING OUT OF OR IN CONNECTION WITH THESE TERMS AND CONDITIONS, OR ANY USE OF ANY TI EVM PROVIDED HEREUNDER, EXCEED THE TOTAL AMOUNT PAID TO TI FOR THE PARTICULAR UNITS SOLD UNDER THESE TERMS AND CONDITIONS WITH RESPECT TO WHICH LOSSES OR DAMAGES ARE CLAIMED. THE EXISTENCE OF MORE THAN ONE CLAIM AGAINST THE PARTICULAR UNITS SOLD TO USER UNDER THESE TERMS AND CONDITIONS SHALL NOT ENLARGE OR EXTEND THIS LIMIT.
9. *Return Policy.* Except as otherwise provided, TI does not offer any refunds, returns, or exchanges. Furthermore, no return of EVM(s) will be accepted if the package has been opened and no return of the EVM(s) will be accepted if they are damaged or otherwise not in a resalable condition. If User feels it has been incorrectly charged for the EVM(s) it ordered or that delivery violates the applicable order, User should contact TI. All refunds will be made in full within thirty (30) working days from the return of the components(s), excluding any postage or packaging costs.
10. *Governing Law:* These terms and conditions shall be governed by and interpreted in accordance with the laws of the State of Texas, without reference to conflict-of-laws principles. User agrees that non-exclusive jurisdiction for any dispute arising out of or relating to these terms and conditions lies within courts located in the State of Texas and consents to venue in Dallas County, Texas. Notwithstanding the foregoing, any judgment may be enforced in any United States or foreign court, and TI may seek injunctive relief in any United States or foreign court.

Mailing Address: Texas Instruments, Post Office Box 655303, Dallas, Texas 75265
Copyright © 2015, Texas Instruments Incorporated

IMPORTANT NOTICE

Texas Instruments Incorporated and its subsidiaries (TI) reserve the right to make corrections, enhancements, improvements and other changes to its semiconductor products and services per JESD46, latest issue, and to discontinue any product or service per JESD48, latest issue. Buyers should obtain the latest relevant information before placing orders and should verify that such information is current and complete. All semiconductor products (also referred to herein as "components") are sold subject to TI's terms and conditions of sale supplied at the time of order acknowledgment.

TI warrants performance of its components to the specifications applicable at the time of sale, in accordance with the warranty in TI's terms and conditions of sale of semiconductor products. Testing and other quality control techniques are used to the extent TI deems necessary to support this warranty. Except where mandated by applicable law, testing of all parameters of each component is not necessarily performed.

TI assumes no liability for applications assistance or the design of Buyers' products. Buyers are responsible for their products and applications using TI components. To minimize the risks associated with Buyers' products and applications, Buyers should provide adequate design and operating safeguards.

TI does not warrant or represent that any license, either express or implied, is granted under any patent right, copyright, mask work right, or other intellectual property right relating to any combination, machine, or process in which TI components or services are used. Information published by TI regarding third-party products or services does not constitute a license to use such products or services or a warranty or endorsement thereof. Use of such information may require a license from a third party under the patents or other intellectual property of the third party, or a license from TI under the patents or other intellectual property of TI.

Reproduction of significant portions of TI information in TI data books or data sheets is permissible only if reproduction is without alteration and is accompanied by all associated warranties, conditions, limitations, and notices. TI is not responsible or liable for such altered documentation. Information of third parties may be subject to additional restrictions.

Resale of TI components or services with statements different from or beyond the parameters stated by TI for that component or service voids all express and any implied warranties for the associated TI component or service and is an unfair and deceptive business practice. TI is not responsible or liable for any such statements.

Buyer acknowledges and agrees that it is solely responsible for compliance with all legal, regulatory and safety-related requirements concerning its products, and any use of TI components in its applications, notwithstanding any applications-related information or support that may be provided by TI. Buyer represents and agrees that it has all the necessary expertise to create and implement safeguards which anticipate dangerous consequences of failures, monitor failures and their consequences, lessen the likelihood of failures that might cause harm and take appropriate remedial actions. Buyer will fully indemnify TI and its representatives against any damages arising out of the use of any TI components in safety-critical applications.

In some cases, TI components may be promoted specifically to facilitate safety-related applications. With such components, TI's goal is to help enable customers to design and create their own end-product solutions that meet applicable functional safety standards and requirements. Nonetheless, such components are subject to these terms.

No TI components are authorized for use in FDA Class III (or similar life-critical medical equipment) unless authorized officers of the parties have executed a special agreement specifically governing such use.

Only those TI components which TI has specifically designated as military grade or "enhanced plastic" are designed and intended for use in military/aerospace applications or environments. Buyer acknowledges and agrees that any military or aerospace use of TI components which have **not** been so designated is solely at the Buyer's risk, and that Buyer is solely responsible for compliance with all legal and regulatory requirements in connection with such use.

TI has specifically designated certain components as meeting ISO/TS16949 requirements, mainly for automotive use. In any case of use of non-designated products, TI will not be responsible for any failure to meet ISO/TS16949.

Products

Audio	www.ti.com/audio
Amplifiers	amplifier.ti.com
Data Converters	dataconverter.ti.com
DLP® Products	www.dlp.com
DSP	dsp.ti.com
Clocks and Timers	www.ti.com/clocks
Interface	interface.ti.com
Logic	logic.ti.com
Power Mgmt	power.ti.com
Microcontrollers	microcontroller.ti.com
RFID	www.ti-rfid.com
OMAP Applications Processors	www.ti.com/omap
Wireless Connectivity	www.ti.com/wirelessconnectivity

Applications

Automotive and Transportation	www.ti.com/automotive
Communications and Telecom	www.ti.com/communications
Computers and Peripherals	www.ti.com/computers
Consumer Electronics	www.ti.com/consumer-apps
Energy and Lighting	www.ti.com/energy
Industrial	www.ti.com/industrial
Medical	www.ti.com/medical
Security	www.ti.com/security
Space, Avionics and Defense	www.ti.com/space-avionics-defense
Video and Imaging	www.ti.com/video

TI E2E Community

e2e.ti.com