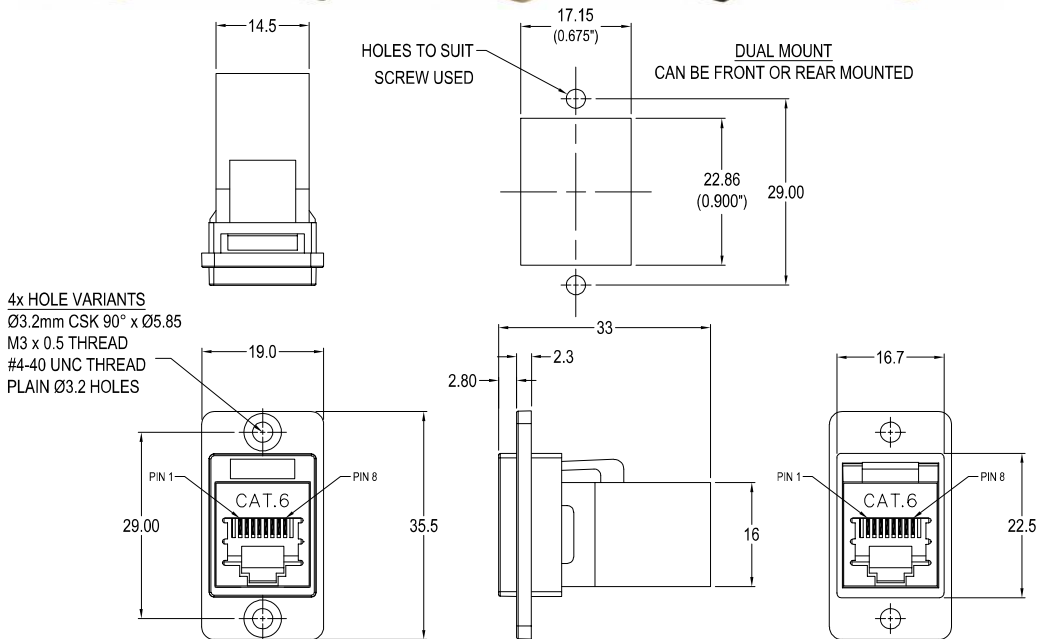


# CLIFF

## DUALSLIM CAT.6 RJ45 SHIELDED METAL FRAME FEEDTHROUGH CONNECTOR

Can be front or rear mounted in the panel



### VARIANTS

Part No.

<b>CP30722SM</b>	DUALSLIM Cat.6 RJ45 Shielded Nickel frame, CSK holes
<b>CP30722SMB</b>	DUALSLIM Cat.6 RJ45 Shielded Black metal frame, CSK holes
<b>CP30722SM3</b>	DUALSLIM Cat.6 RJ45 Shielded Nickel frame, M3 holes
<b>CP30722SMB3</b>	DUALSLIM Cat.6 RJ45 Shielded Black metal frame, M3 holes
<b>CP30722SM440</b>	DUALSLIM Cat.6 RJ45 Shielded Nickel frame, #4-40 holes
<b>CP30722SMB440</b>	DUALSLIM Cat.6 RJ45 Shielded Black metal frame, #4-40 holes
<b>CP30722SMX1</b>	DUALSLIM Cat.6 RJ45 Shielded Nickel frame, Ø3.2 PLAIN holes
<b>CP30722SMBX1</b>	DUALSLIM Cat.6 RJ45 Shielded Black metal frame, Ø3.2 PLAIN holes

### Feedthrough Features

- Fits standard rectangular cutout.
- Front or rear mounting through the panel.
- Various hole mounting options.
- No soldering or punch termination. Use standard cable for each connector style.
- Low rear profile.

### General:

Please note: Functionality is affected by cable quality, length and cable wiring configuration.

### Material:

1. RJ45 In-Line Coupler: ABS UL94-V0 Fully Shielded
2. RJ45 In-Line Coupler Contact:  
Phosphor Bronze, 3-50 micro inches gold plating over nickel plate.
3. PCB: FR4
4. Frame: Diecast, Nickel or Black plated

### Performance:

1. T568A & T568B wiring.
2. Meet ISO/IEC 11801 and EN50173
3. Meet ANSI/TIA/EIA 568B.2
4. Rating: 125VAC RMS 1.5A
5. Operating Temperatures: Min -10°C Max +70°C