

**Technical specification:**

Rated voltage: IEC 61076-2-101	60 V
Current rating: IEC 61076-2-101	4 A at 40°C
Insulation resistance: IEC 60512	≥100 MΩ
Pollution degree: IEC 60664-1	3/2
Degree of protection: IEC 60529	IP 67, in mated condition
Temperature range:	-30°C ... +80°C
Mating cycles: IEC 60512-9a	≥100

**Materials:**

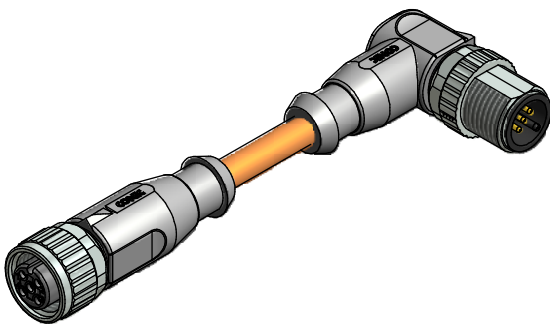
Contact:	CuZn
Contact plating:	Nickel, gold plated
Contact carrier:	PA, UL 94
Sealing:	FPM
Coupling nut/ screw:	GD-Zn, nickel plated
Moulding body:	TPU, UL 94, grey

**Installation specification:**

Recommended torque:	0,6 Nm
Conec installation tool:	Torque wrench: 36-000200 Insert across flats 13: 36-000220

**Contact assignment:**

- 1) brown
- 2) white
- 3) blue
- 4) black
- 5) green-yellow



Part no:	Description:	Length L:	Cable:
43-14625	SAL - 12 - RK5 - RSW5 - 0,3 / J1 / A1090	0,3m	TPU, UL 20549, orange, 5x0,34mm <sup>2</sup> Cable: 781-J13500
43-14626	SAL - 12 - RK5 - RSW5 - 0,6 / J1 / A1090	0,6m	
43-14627	SAL - 12 - RK5 - RSW5 - 1,5 / J1 / A1090	1,5m	
43-14628	SAL - 12 - RK5 - RSW5 - 3,0 / J1 / A1090	3m	
43-xxxxx	SAL - 12 - RK5 - RSW5 - ... / J1 / A1090	x	

D see data sheet cable

DO NOT ALTER CAD DRAWING BY HAND Directive 2011/65/EU RoHS compliant	Index a: 11.09.14 rbo Ä5343 Data sheet modified. contact carrier was PBT.	dim. in mm	<b>title:</b> Connecting cable M12x1, female connector axial - male connector angled						
	tolerance of cable: L ≤ 4m: L + 40mm L > 4m: L + 1%			<table border="1"> <tr> <td>date</td> <td>name</td> </tr> <tr> <td>17.01.11</td> <td>Franz</td> </tr> <tr> <td>17.01.11</td> <td>Mankopf</td> </tr> </table>	date	name	17.01.11	Franz	17.01.11
	date	name							
	17.01.11	Franz							
	17.01.11	Mankopf							
general tolerance: 0 ± 0,50mm 0,0 ± 0,25mm 0,00 ± 0,10mm		<b>dwg no:</b> 43K1A1282							
THIS DRAWING MAY NOT BE COPIED OR REPRODUCED IN ANY WAY, AND MAY NOT BE PASSED ON TO A THIRD PARTY WITHOUT WRITTEN PERMISSION. OWNERSHIP AND COPYRIGHT OF CONEC GmbH		<b>part no:</b> see table							