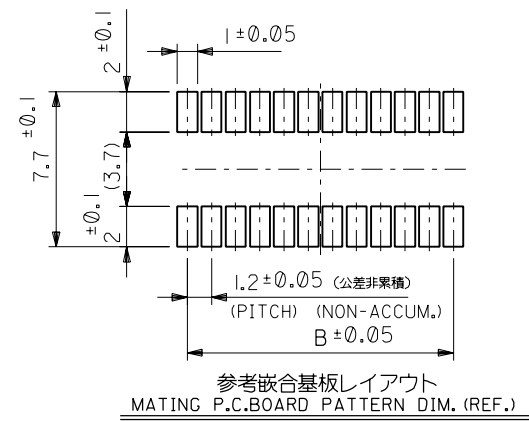
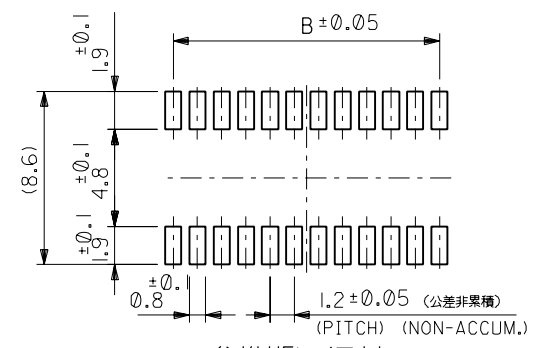
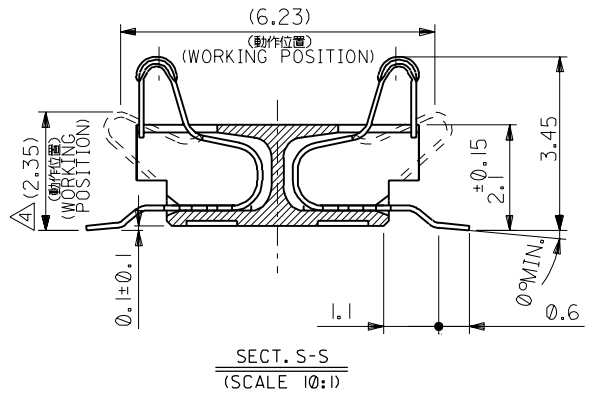
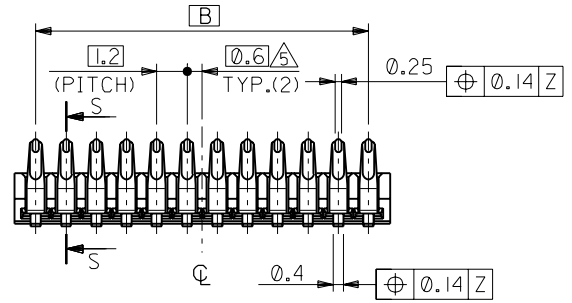
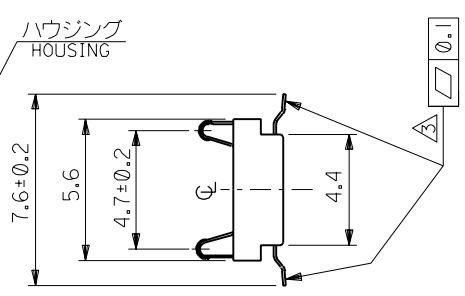
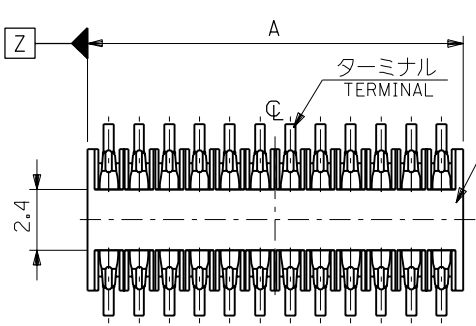


DO NOT SCALE DRAWING

DWG. NO. SD-54546-012



**注記 NOTES**

1. 材質 MATERIAL  
 ハウジング : 液晶ポリマー (黒) UL94V-0  
 HOUSING : LIQUID CRYSTAL POLYMER, (BLACK), UL94V-0  
 ターミナル : 燐青銅 (t=0.1)  
 TERMINAL : PHOSPHOR BRONZE (t=0.1)
2. メッキ仕様 PLATING  
 接点部 : 金メッキ  
 CONTACT AREA : GOLD PLATING 0.4 MICROMETER MINIMUM.  
 半田付け部 : 半田メッキ  
 SOLDER TAIL AREA : TIN-LEAD PLATING 2.5 MICROMETER MINIMUM.  
 下地メッキ : ニッケルメッキ  
 UNDER PLATING : NICKEL PLATING 1.5 MICROMETER MINIMUM.
3. コネクタを水平面上に置いた状態で維持する事。  
 TOLERANCES TO BE APPLIED WHEN ON A HORIZONTAL PLANE.
4. 動作位置 (ストローク量 1.1mm) での接触力 : 0.46±0.1N {47±10gf}  
 NORMAL FORCE AT WORKING POSITION (STROKE 1.1mm) : 0.46±0.1N {47±10gf}
5. (全極数/2) が偶数の場合に適用。  
 THIS DIM. TO BE APPLICABLE TO THE PRODUCT WHEN (TOTAL CKT/2) = EVEN NUMBER.

13.2	14.9	54546-2431	24
10.8	12.5	54546-2031	20
7.2	8.9	54546-1431	14
B	A	MATERIAL NO.	極数 CIRCUIT

図番 NO. DRAWN: CHK: APPR: 更新 図番 NO. J2002-0787 DRAWN: THIRAYAMA 01/10/03 CHK: THIRATA APPR: MISASAO 新規作成 RELEASED 図番 NO. JC2001-0333 DRAWN: T.KAIHO 00/11/2 CHK: T.IITO APPR: M.FUKUSHIMA	材料 SEE NOTES	GENERAL TOLERANCES: (UNLESS SPECIFIED) 一般公差		MODEL NO. 54546-***31	DIMENSIONS: <input type="checkbox"/> mm <input type="checkbox"/> INCH <input checked="" type="checkbox"/> mm ONLY		SHT REV
		FINISH 仕上げ	SCALE 5:1 DESIGN UNITS <input checked="" type="checkbox"/> mm <input type="checkbox"/> INCH	10 UNDER 未満 ±0.2 10 OVER 30 UNDER 未満 ±0.25 30 OVER 以上 ±0.3	DRAWN BY & DATE T.KAIHO 00/11/2 CHECKED BY & DATE T.IITO 00/11/2 APPROVED BY & DATE M.FUKUSHIMA 00/11/2	TITLE: 1.2mm PITCH DUAL ONE PIECE Conn Hsg Assy W/O BOSS	
WIRE RANGE 適用 適用範囲	適用 適用範囲	ANGLE 角度 ±3°	CAD FILENAME 54546012.S01	MOLEX INCORPORATED	MATERIAL NO. SEE CHART	DRAWING NO. SD-54546-012	SHEET NO. 1 OF 1
INS. RANGE 被覆外径	適用 適用範囲	THIS DRAWING CONTAINS INFORMATION THAT IS PROPRIETARY TO MOLEX INCORPORATED AND SHOULD NOT BE USED WITHOUT WRITTEN PERMISSION.					SIZE B

54546012.S01

DWG. NO. SD-54546-013

8 7 6 5 4 3 2 1

F

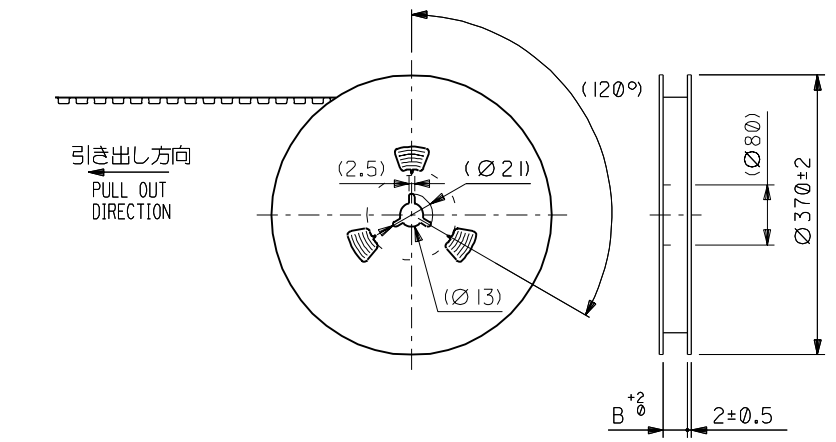
D

V

C

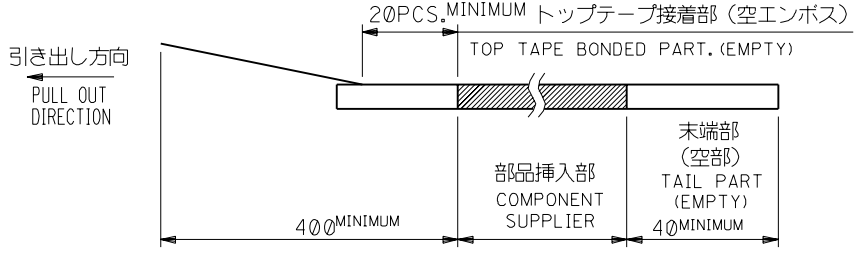
B

DO NOT SCALE DRAWING

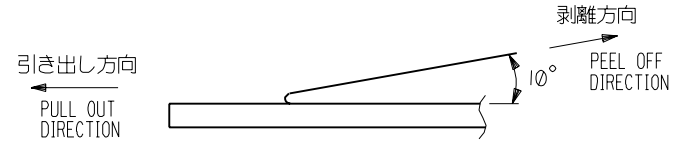


注記 NOTES

- 1. 梱包数量：1000個/リール  
NUMBER OF CONNECTORS : 1000PCS/REEL
- 2. リードテープ長さ LEAD TAPE LENGTH



- 3. トップテープの剥離強度：0.1N ~ 0.7N(10.2gf ~ 71.4gf)  
(剥離方向は下図参照)  
尚、本規格値は出荷時に適用。(但し、輸送時に剥離が発生しないこと。)  
PEELING OFF FORCE OF TOP TAPE : 0.1N ~ 0.7N(10.2gf ~ 71.4gf)  
(PEELING DIRECTION AS SHOWN IN FOLLOWING FIG.)  
THIS REQUIREMENT SHOULD BE APPLIED AT SHIPMENT.  
PEEL OFF SHOULD NOT BE ALLOWED , DURING TRANSPORTATION.



- 4. 材料 (MATERIAL)  
キャリアテープ (CARRIER TAPE) : ポリプロピレン (POLYPROPYLENE)  
トップテープ (TOPTAPE) : PET , PE , PEF  
リール (REEL) : 紙製 (CARD BOARD)

54546-2431	54546-2491	24
54546-2031	54546-2091	20
54546-1431	54546-1491	14
CONNECTOR	MATERIAL NO.	極数 CIRCUIT

064NO. DRAWN: CHK'K: APPR:  063NO. DRAWN: CHK'K: APPR:  062NO. DRAWN: CHK'K: APPR:  更新 061NO. J2002-0787 DRAWN: THIRAYAMA 01/10/03 CHK'K: THIRATA APPR: MASAOK  新規作成 RELEASED 060NO. JC2001-0333 DRAWN: T.KAIHO 00/11/2 CHK'K: T.ITO APPR: M.FUKUSHIMA	MATERIAL 材料  FINISH 仕上げ  WIRE RANGE 適用電線範囲  INS. RANGE 被覆外径	DESCRIPTION  // // //	SEE NOTES  // // //
---	---	-----------------------------------	---------------------------------

GENERAL TOLERANCES: (UNLESS SPECIFIED) 一般公差  10 UNDER 未満 30 UNDER 未満 30 OVER 以上  ANGLE 角度	SCALE //  ±0.2 ±0.25 ±0.3 3°	DESIGN UNITS mm INCH DRAWN BY & DATE T.KAIHO 00/11/2 CHECKED BY & DATE T.ITO 00/11/2 APPROVED BY & DATE M.FUKUSHIMA 00/11/2 CAD FILENAME 54546013.S01	MODEL NO. 54546-**-91 DIMENSIONS: <input type="checkbox"/> mm <input type="checkbox"/> INCH <input checked="" type="checkbox"/> mm ONLY SHT REV REVISION ON CAD ONLY  TITLE: 1.2 DUAL ONE PIECE Conn Hsg Assy (W/O BOSS) Embstp Pkg  MOLEX MOLEX INCORPORATED	MATERIAL NO. 54546-**-91 DRAWING NO. SD-54546-013 SHEET NO. 1 OF 2
---	--	--	---	--

THIS DRAWING CONTAINS INFORMATION THAT IS PROPRIETARY TO MOLEX INCORPORATED AND SHOULD NOT BE USED WITHOUT WRITTEN PERMISSION. SIZE B

54546013.S01

DWG. NO. SD-54546-013

F

D

▽

C

B

DO NOT SCALE DRAWING

8 7 6 5 4 3 2 1

F

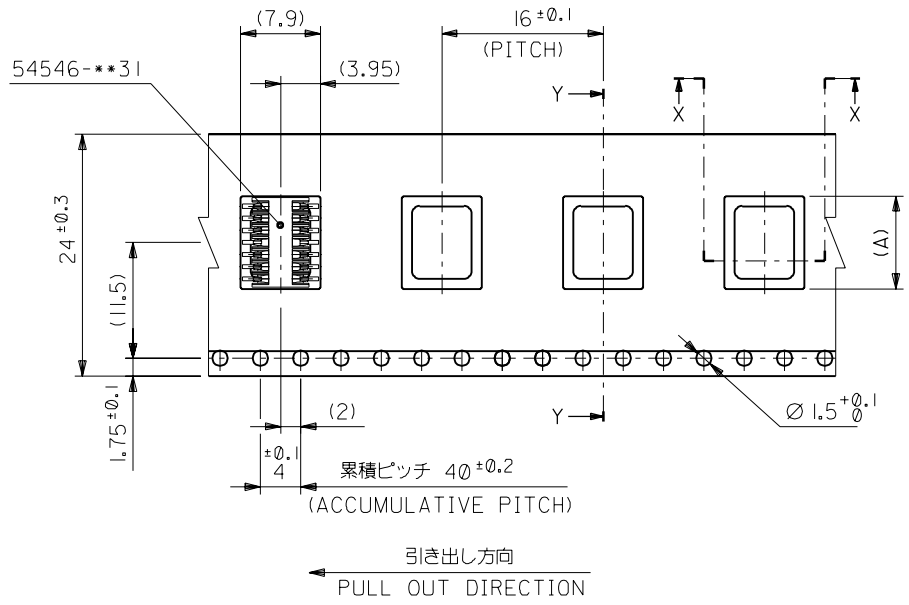
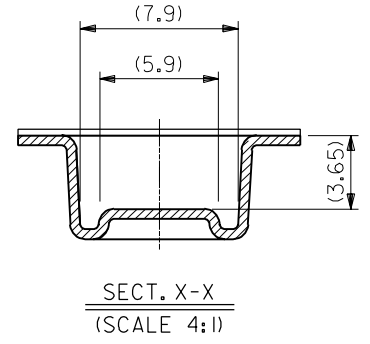
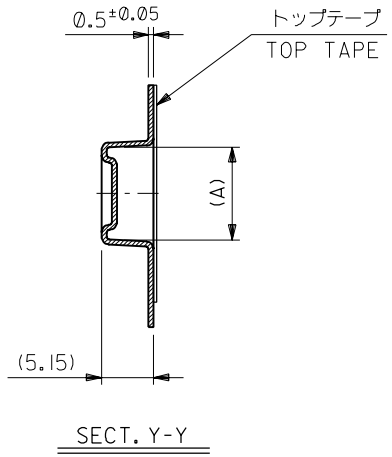
E

D

C

B

A



24	24.4	15.2	54546-2491	24
		12.8	54546-2091	20
		9.2	54546-1491	14
キャリアテープ幅 CARRIER TAPE WIDTH		B	A	回路数 CIRCUIT
MODEL NO. 54546-***91		DIMENSIONS:		SHT REV
		<input type="checkbox"/> mm	<input type="checkbox"/> INCH	<input checked="" type="checkbox"/> mm
		<input type="checkbox"/> INCH	<input type="checkbox"/> mm	<input type="checkbox"/> ONLY
		20° 25° 30° 45° 60° 90° 120° 150° 180°		REVISE ON CAD ONLY

E64NO. DRAWN: CHK'G: APPR:	E63NO. DRAWN: CHK'G: APPR:	E62NO. DRAWN: CHK'G: APPR:	更新 REVISED	E61NO. J2002-0787 DRAWN: THIRAYAMA 01/10/03 CHK'G: THIRATA APPR: MISAASO	新規作成 RELEASED	E60NO. JC2001-0333 DRAWN: T.KAIHO '00/11/ 2 CHK'G: T.IITO APPR: M.FUKUSHIMA	MATERIAL 材料	SHEET NO.1 参照 SEE SHEET NO.1	GENERAL TOLERANCES: (UNLESS SPECIFIED) 一般公差	SCALE 2:1	DESIGN UNITS <input checked="" type="checkbox"/> mm <input type="checkbox"/> INCH	DRAWN BY & DATE T.KAIHO '00/11/ 2	CHECKED BY & DATE T.IITO '00/11/ 2	APPROVED BY & DATE M.FUKUSHIMA '00/11/ 2	CAD FILENAME 54546013.S02	MATERIAL NO. SEE CHART	DRAWING NO. SD-54546-013	SHEET NO. 2 OF 2
			FINISH 仕上げ				FINISH 仕上げ		FINISH 仕上げ	FINISH 仕上げ	FINISH 仕上げ							
			A				WIRE RANGE 適用規格範囲		ANGLE 角度									
							INS. RANGE 被覆外径											

TITLE:  
1.2 DUAL ONE PIECE Conn Hsg Assy  
(W/O BOSS) Embstp Pkg

**MOLEX INCORPORATED**

THIS DRAWING CONTAINS INFORMATION THAT IS PROPRIETARY TO MOLEX INCORPORATED AND SHOULD NOT BE USED WITHOUT WRITTEN PERMISSION.

54546013.S02