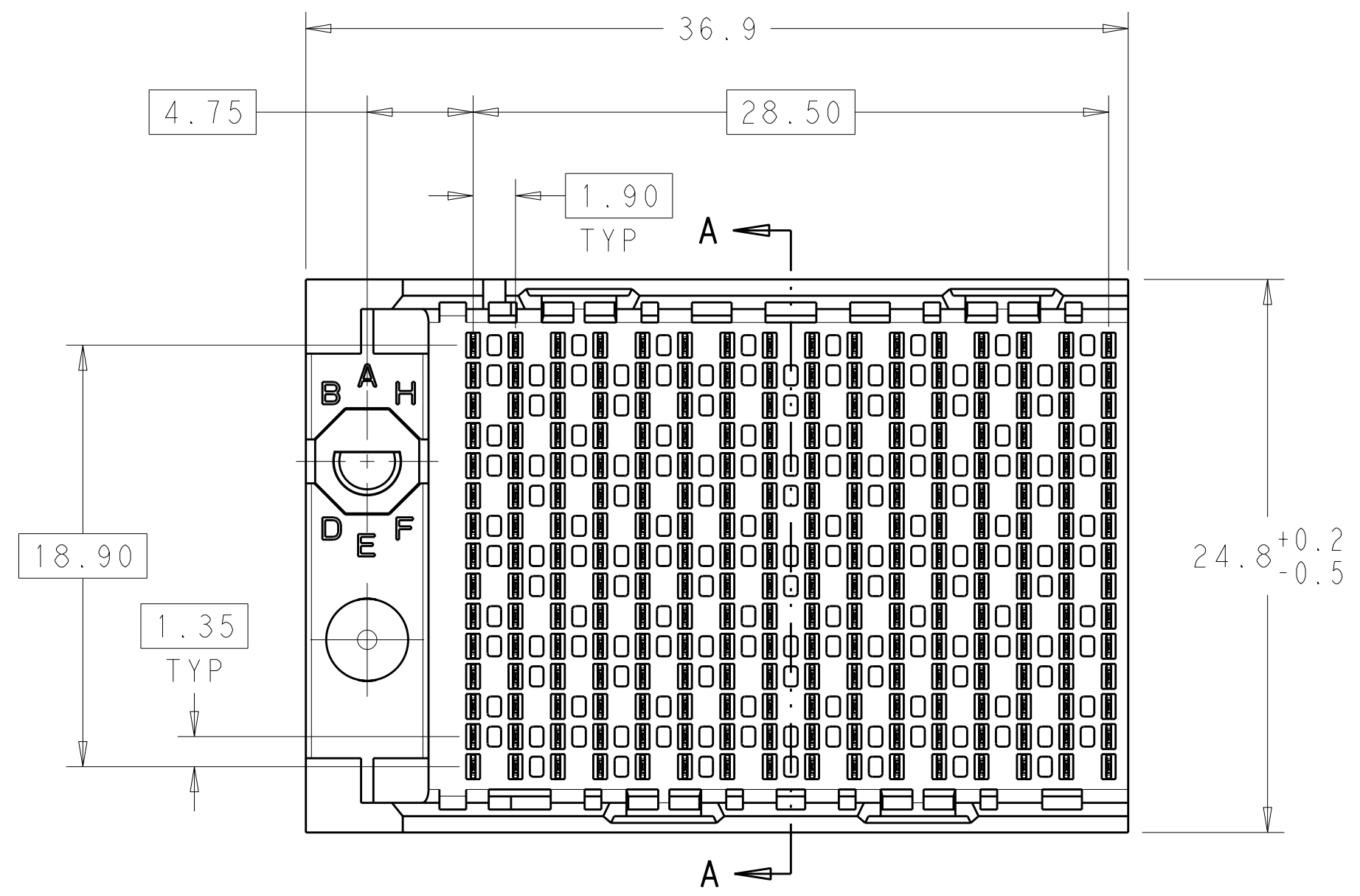
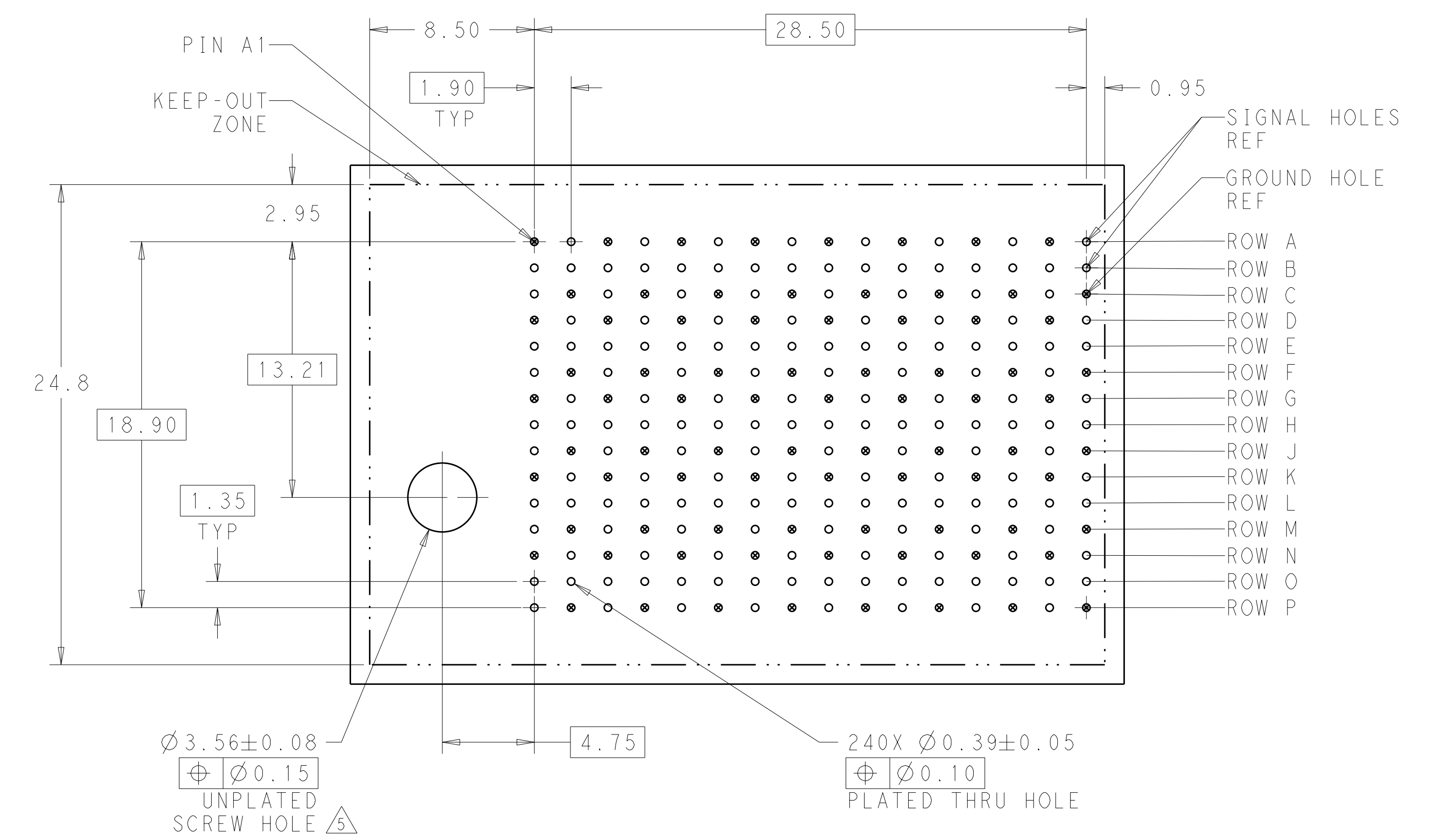
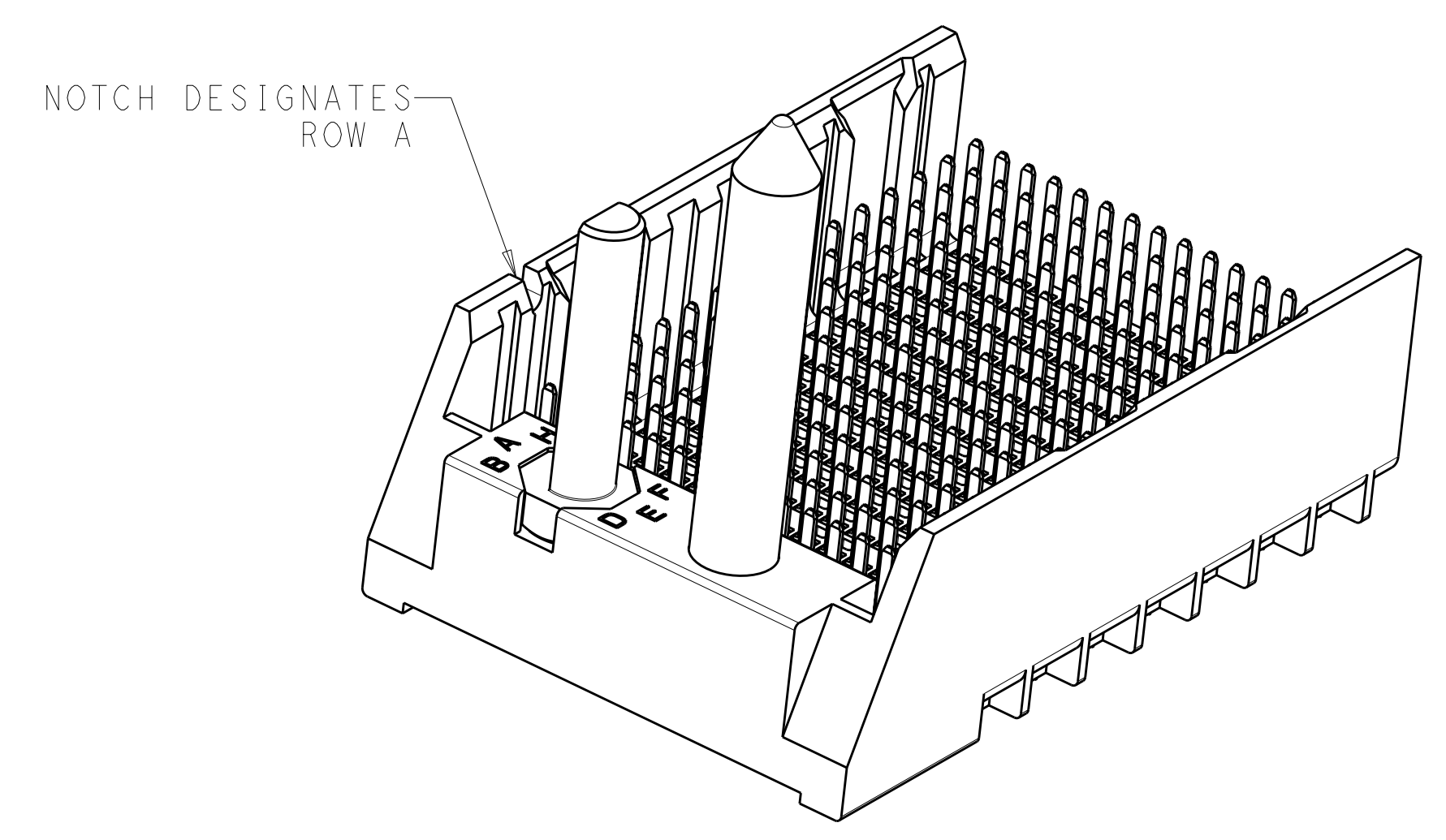


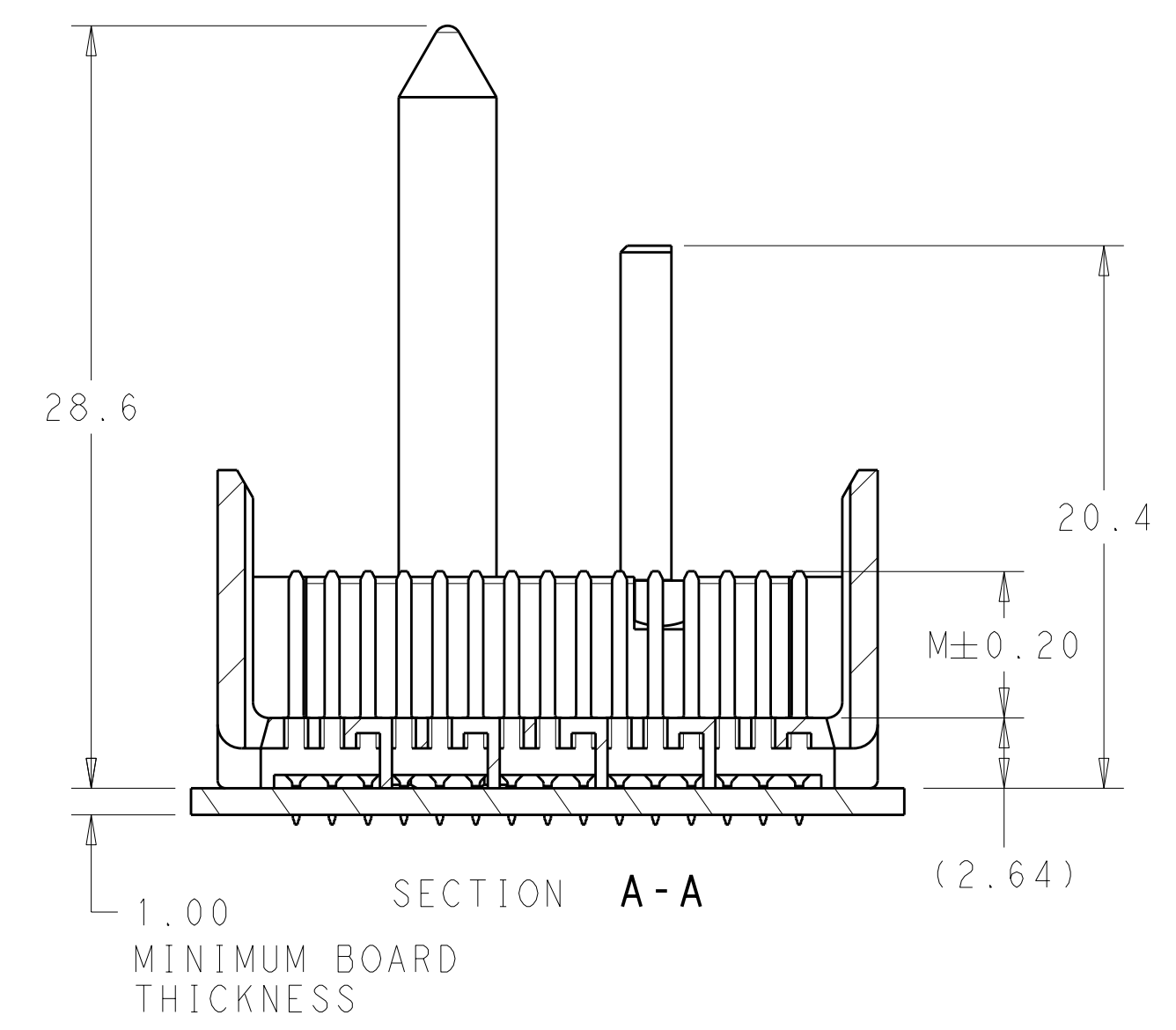
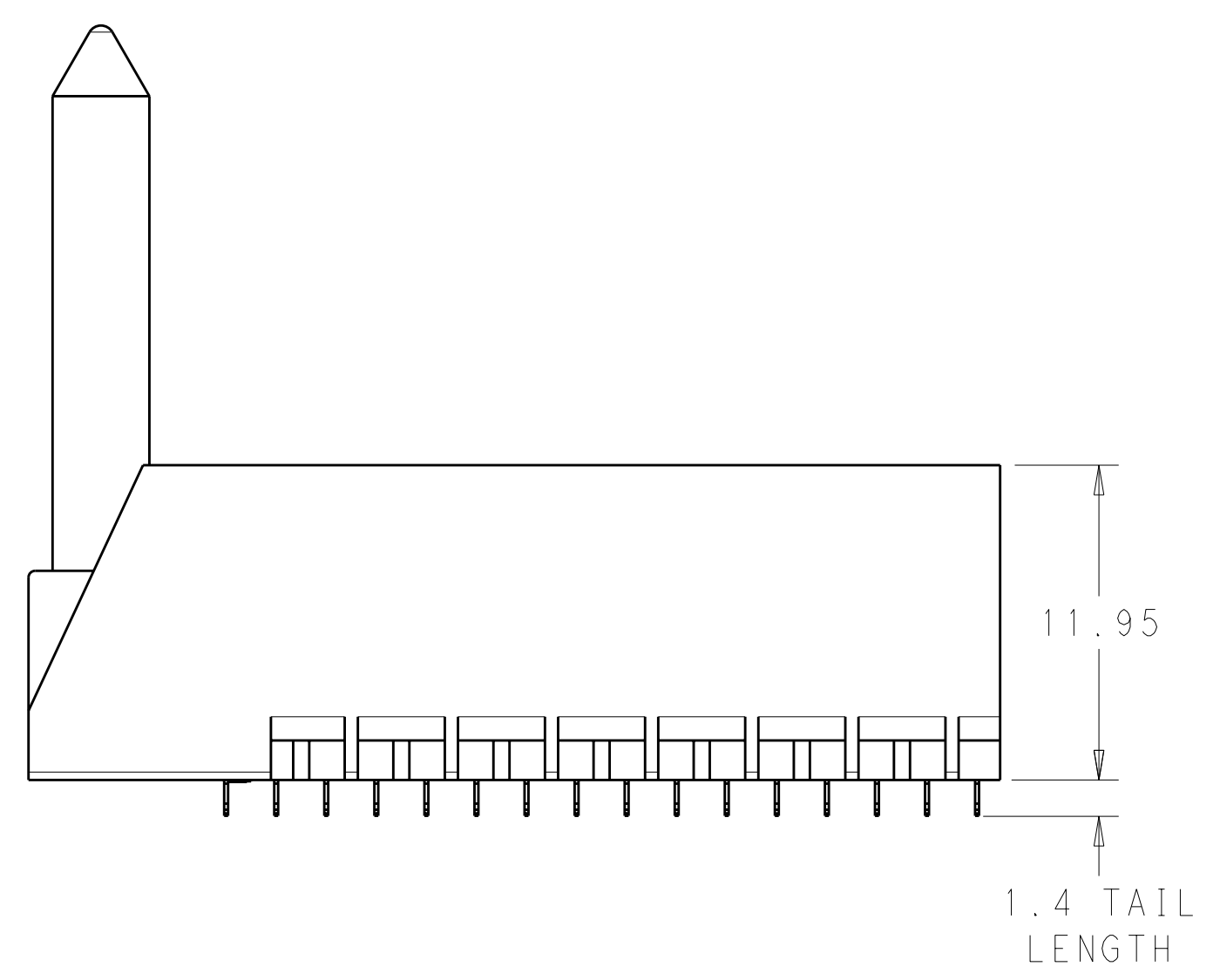
LOC	DIST	REV	DATE	BY	APPD
AD	00	B	03JAN2012	KH	DY
		REVISIONS			
		DESCRIPTION	DATE	DWN	APPD
		B	REVISD PER ECO-11-025276		



- 1 MATERIAL:
HOUSING: LCP, GLASS FILLED, UL94V-0.
TERMINALS: HIGH PERFORMANCE COPPER ALLOY.
- 2 FINISH:
30µ" MIN GOLD IN CONTACT AREA. SELECTIVE TIN ON PCB TAILS, NICKEL OVERALL.
- 3 FINISH:
30µ" MIN GOLD IN CONTACT AREA. SELECTIVE TIN-LEAD ON PCB TAILS, NICKEL OVERALL.
- 4. SCREWS PACKAGED IN END OF PACKAGING TUBE.
- 5 FOR GROUNDED GUIDE PIN USE $\varnothing 3.56 \pm 0.08$ PTH, $\varnothing 3.66$ DRILL, AND $\varnothing 6.5$ PAD.
- 6. KEYING PIN SHOWN IN POSITION A, SEE KEYING CHART ON SHEET 2 FOR OTHER POSITIONS.



LEFT GUIDED BACKPLANE HOLE PATTERN (CONNECTOR SIDE)

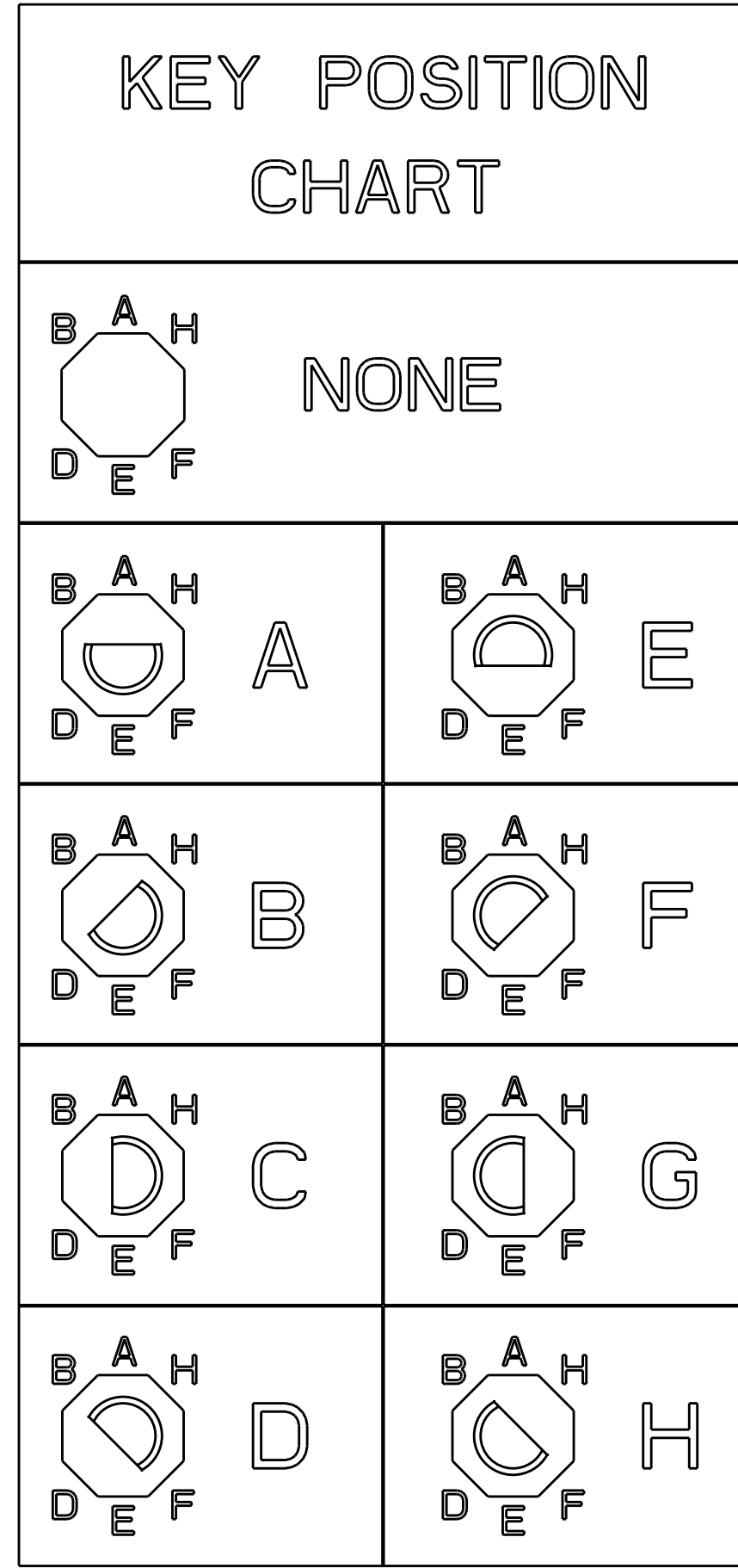


THIS DRAWING IS A CONTROLLED DOCUMENT.		DWN J. K. SHOBER 02FEB2011	TE Connectivity
DIMENSIONS: mm		CHK J. EARY 02FEB2011	
TOLERANCES UNLESS OTHERWISE SPECIFIED:		APVD J. EARY 02FEB2011	NAME
0 PLC ±	1 PLC ±0.25	PRODUCT SPEC	IMPACT, 5 PAIR, 16 COLUMN, HEADER
2 PLC ±0.13	3 PLC ±	APPLICATION SPEC	LEFT GUIDED, OPEN END WALL
4 PLC ±	ANGLES ±	WEIGHT	SIGNAL MODULE, 0.39 PTH
FINISH SEE TABLE		CUSTOMER DRAWING	SIZE CAGE CODE DRAWING NO RESTRICTED TO
		SCALE 4:1 SHEET 1 OF 2 REV B	A100779C=2007857

LOC		DIST		REVISIONS			
AD	00	P	LTB	DESCRIPTION	DATE	DWN	APVD
		-	-	SEE SHEET 1	-	-	-

3	H	5.5	8-2007857-6
3	H	4.9	8-2007857-5
3	H	4.5	8-2007857-4
2	H	5.5	8-2007857-3
2	H	4.9	8-2007857-2
2	H	4.5	8-2007857-1
3	G	5.5	7-2007857-6
3	G	4.9	7-2007857-5
3	G	4.5	7-2007857-4
2	G	5.5	7-2007857-3
2	G	4.9	7-2007857-2
2	G	4.5	7-2007857-1
3	F	5.5	6-2007857-6
3	F	4.9	6-2007857-5
3	F	4.5	6-2007857-4
2	F	5.5	6-2007857-3
2	F	4.9	6-2007857-2
2	F	4.5	6-2007857-1
3	E	5.5	5-2007857-6
3	E	4.9	5-2007857-5
3	E	4.5	5-2007857-4
2	E	5.5	5-2007857-3
2	E	4.9	5-2007857-2
2	E	4.5	5-2007857-1
3	D	5.5	4-2007857-6
3	D	4.9	4-2007857-5
3	D	4.5	4-2007857-4
2	D	5.5	4-2007857-3
2	D	4.9	4-2007857-2
2	D	4.5	4-2007857-1
3	C	5.5	3-2007857-6
3	C	4.9	3-2007857-5
3	C	4.5	3-2007857-4
2	C	5.5	3-2007857-3
2	C	4.9	3-2007857-2
2	C	4.5	3-2007857-1
3	B	5.5	2-2007857-6
3	B	4.9	2-2007857-5
3	B	4.5	2-2007857-4
2	B	5.5	2-2007857-3
2	B	4.9	2-2007857-2
2	B	4.5	2-2007857-1
3	A	5.5	1-2007857-6
3	A	4.9	1-2007857-5
3	A	4.5	1-2007857-4
2	A	5.5	1-2007857-3
2	A	4.9	1-2007857-2
2	A	4.5	1-2007857-1
3	-	5.5	2007857-6
3	-	4.9	2007857-5
3	-	4.5	2007857-4
2	-	5.5	2007857-3
2	-	4.9	2007857-2
2	-	4.5	2007857-1
FINISH	KEY POSITION	DIM M	PART NUMBER

REFER TO WWW.TE.COM FOR PRODUCT AVAILABILITY



THIS DRAWING IS A CONTROLLED DOCUMENT.		DWN J. K. SHOBER 02FEB2011	STE TE Connectivity
DIMENSIONS: mm		CHK J. EARY 02FEB2011	
TOLERANCES UNLESS OTHERWISE SPECIFIED:		APVD J. EARY 02FEB2011	NAME: IMPACT, 5 PAIR, 16 COLUMN, HEADER LEFT GUIDED, OPEN END WALL SIGNAL MODULE, 0.39 PTH
9 PLC ±0.25		PRODUCT SPEC	
3 PLC ±0.13		APPLICATION SPEC	SIZE CAGE CODE DRAWING NO RESTRICTED TO
5 PLC ±		WEIGHT	A100779C=2007857
4 PLC ±		CUSTOMER DRAWING	SCALE 5:1 SHEET 2 OF 2 REV B
ANGLES ±			
FINISH SEE TABLE			