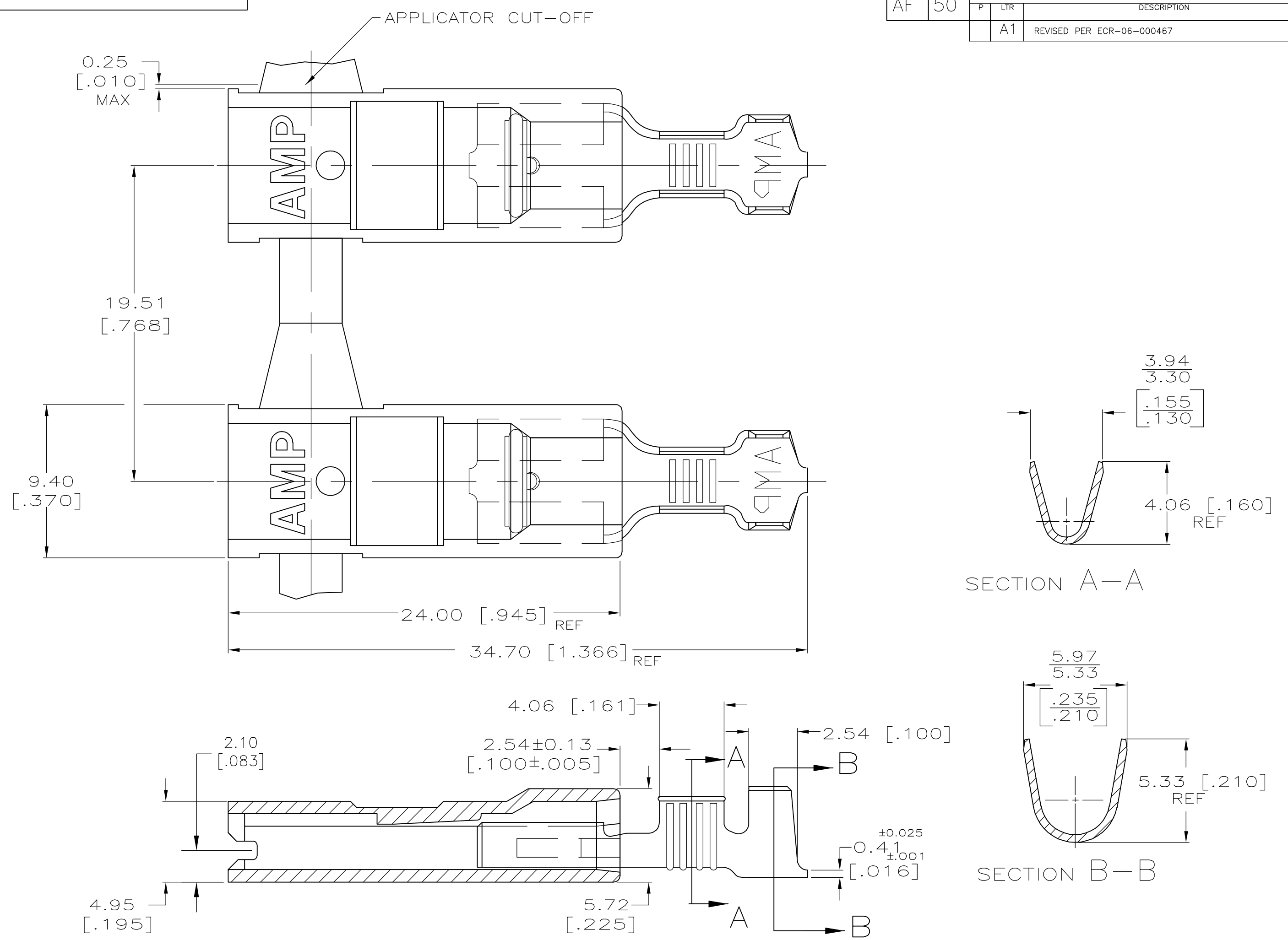


LOC	DIST	REVISIONS					
AF	50	P	LTR	DESCRIPTION	DATE	DWN	APVD
		A1		REVISED PER ECR-06-000467	24MAY06	HMR	GP



- 1 BUDGET FASTON TERMINALS, BASE P/N 63884, ARE USED IN THIS PRODUCT.
- 2 WIRE SIZE 0.8-2.0mm [18-14] AWG
- 3 INSULATION RANGE IS 2.79-4.32 [.110-.170] DIA.
- 4 MATING TAB THK IS 0.813±0.025 [.032±.001].

STANDARD	MATERIAL: 4M BRASS FINISH: 0.002032 [.000080] MIN TIN	MATERIAL: 6/6 VO, NYLON COLOR: NATURAL	521567-2
PACKAGING	TERMINAL	HOUSING	PART NO.
THIS DRAWING IS A CONTROLLED DOCUMENT.		DWN JR RUTH 15AUG02	Tyco Electronics Corporation Harrisburg, PA 17105-3608
DIMENSIONS: mm [INCHES]		CHK MS FEHER 15AUG02	
TOLERANCES UNLESS OTHERWISE SPECIFIED:		APVD -	NAME
0 PLC ± - 1 PLC ± - 2 PLC ± - 3 PLC ± 0.25 [.010] 4 PLC ± - ANGLES ± -		PRODUCT SPEC 108-1285	ASSEMBLY, ULTRA-POD, RECEPTACLE, 6.35 [.250] SERIES
MATERIAL SEE TABLE		APPLICATION SPEC 114-2124	SIZE A2
FINISH SEE TABLE		WEIGHT -	CAGE CODE 00779
		CUSTOMER DRAWING	DRAWING NO G-521567
		RESTRICTED TO -	SCALE 5:1
		SHEET 1 of 1	REV A1