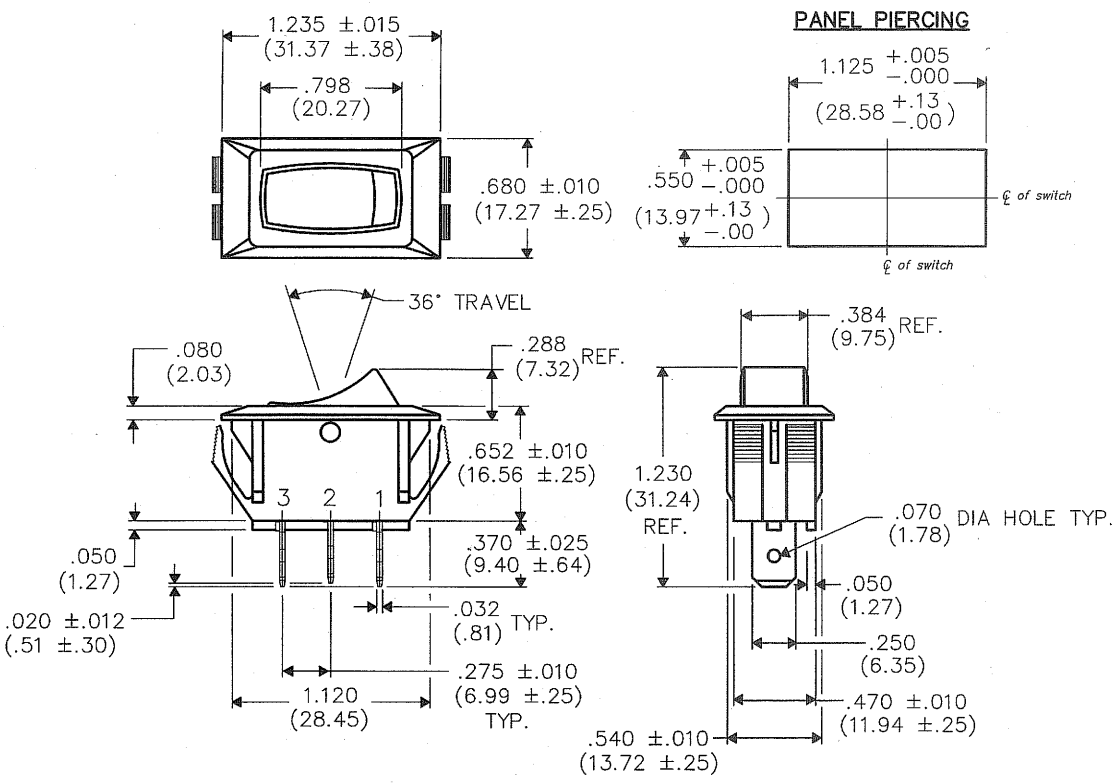


E  
 D  
 C  
 B  
 A



**MATERIAL:**

ROCKER KNOB & HOUSING—  
 High Temp. Nylon, Color— Black

MOVING CONTACT & TERMINALS—  
 Copper Alloy/Micro—Finish

**RATING:** UL/CSA/VDE

16A. 125V 12A. 250VAC  
 3/4 H.P. 125-250VAC  
 10A. 14VT 12(6)A. 250V ~ T85°

1	2	3	4	5	6	7	8	9	10
---	---	---	---	---	---	---	---	---	----

B-FORMAT 2002 <b>REVISIONS</b> RELEASED: DGW 2-23-2012 FEB 23 2012	0	
-----------------------------------------------------------------------------	---	--

PDF Made	<b>CW INDUSTRIES</b> Southampton, Pa. 18966	Title: <b>ROCKER SWITCH</b>
	<small>TOLERANCES UNLESS OTHERWISE SPECIFIED</small>	
	2 Place Decimal ±.010 3 Place Decimal ±.005 Angles ..... ±1°	METRIC 1 Place Dec. ±.25mm 2 Place Dec. ±.13mm
	Made for: CW IND. Drawn by: DGW 2-23-2012 Checked by: <i>G. Guld 2-24-12</i> Approval: <i>G. Guld 2-24-12</i>	Division: <b>SWITCH</b> Dwg. No. <b>GRSH-2012-2600</b>

MASTER