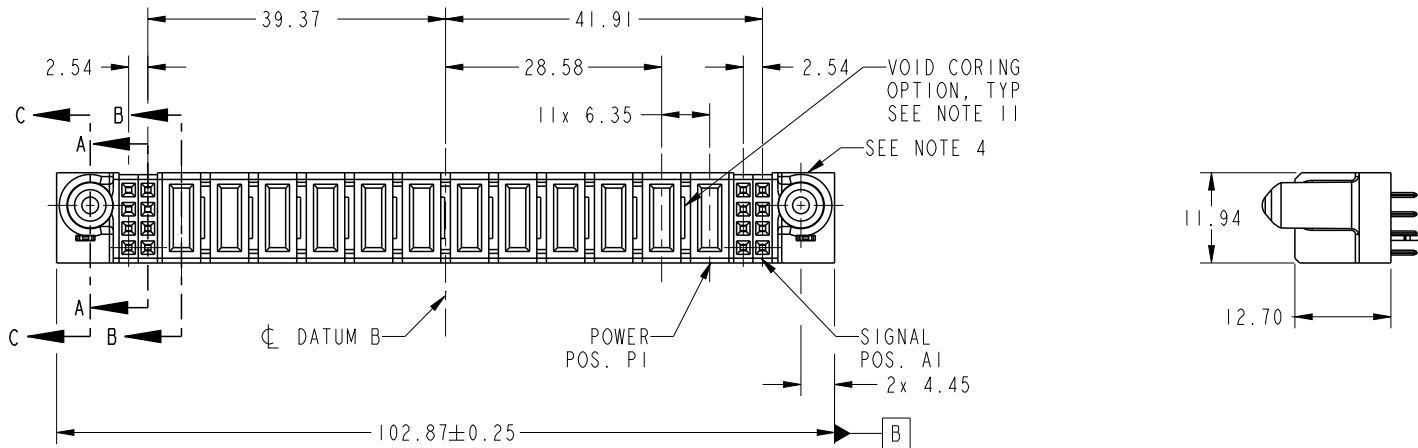


PRODUCT NO.	ROWS	SIG														POWER														SIG	
		E2	4	3	P12	P11	P10	P9	P8	P7	P6	P5	P4	P3	P2	P1	2	1	E1												
51940-543-- NOTE: 3	D C B A																														

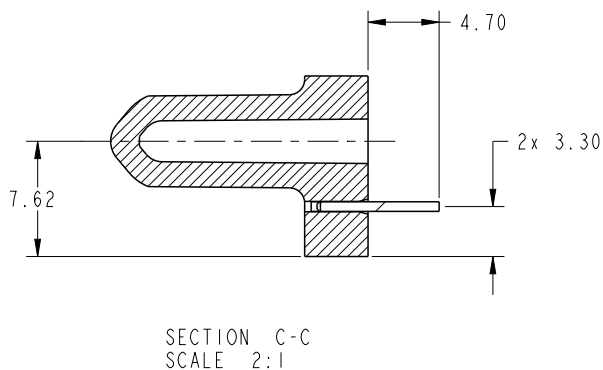
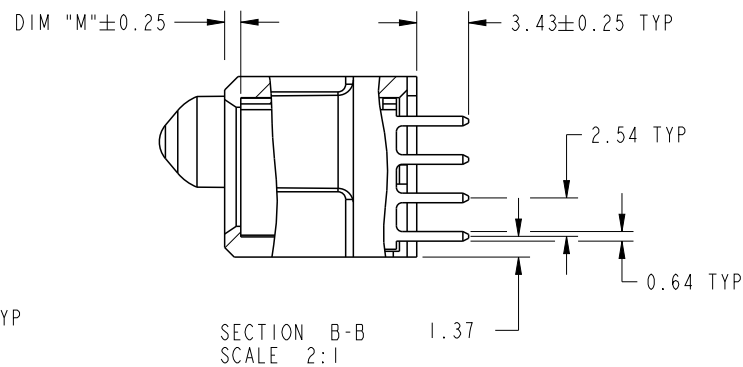
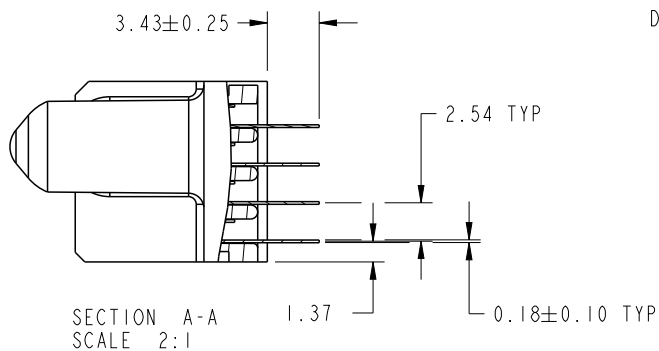


CODE	DIM "M" MATING LENGTH	CONTACT TYPE
E	[N/A]	SIGNAL
PA	[1.07]	POWER
HA	[N/A]	HOLD-DOWN

spec ref	*	dr	Luo Weller	2012/12/05	projection	MM	size	A4	scale	1:1		
tolerance std	TOLERANCES UNLESS OTHERWISE SPECIFIED	eng	Luo Weller	2014/07/21			ecn no	-	rel level		Released	
SEE NOTE		chr	-	-			product family	PwrBlade				
surface	linear	appr	Pei-Ming Zheng	2014/07/21	www.fci.com	title	8S+12P+8S		dwg no	51940-543	rev	A
	angular					VERTICAL SOLDER RECEPT	cat. no.	*	Product - Customer Drw	sheet 1 of 4		

PRODUCT NUMBER

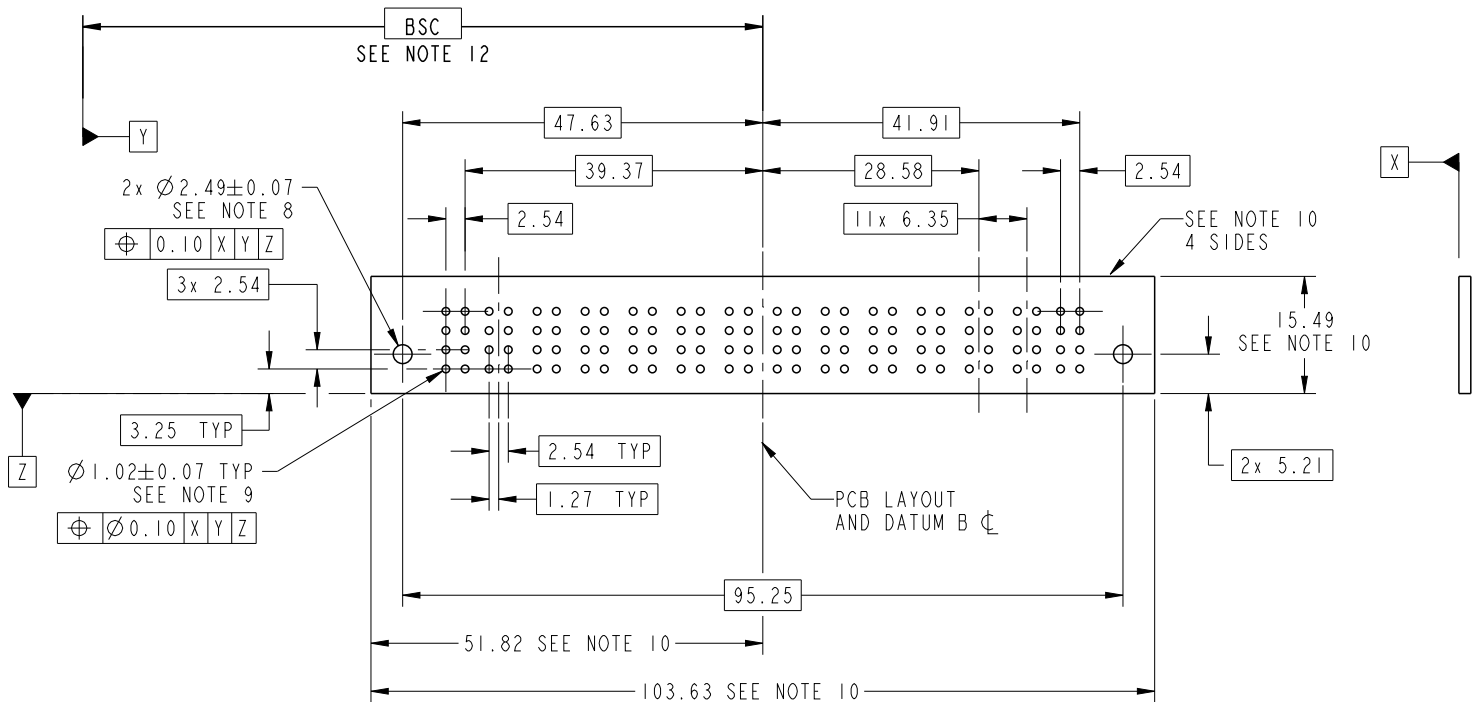
51940-543__
NOTE: 3



dr	Luo Weller	2012/12/05	projection 	MM 	size	A4	scale	1:1
eng	Luo Weller	2014/07/21			ecn no	-		
chr	-	-			rel level	Released		
appr	Pei-Ming Zheng	2014/07/21	product family	PwrBlade	rev	A		
	title	8S+12P+8S VERTICAL SOLDER RECEPT		dwg no	51940-543			
www.fci.com	cat. no.	*	Product - Customer Drw		sheet 2 of 4			

PRODUCT NUMBER

51940-543__
NOTE: 3



RECOMMENDED PCB LAYOUT

dr	Luo Weller	2012/12/05	projection 	MM 	size	A4	scale	1:1	
eng	Luo Weller	2014/07/21			ecn no	-			
chr	-	-			rel level	Released			
appr	Pei-Ming Zheng	2014/07/21	product family	PwrBlade					
		title	8S+12P+8S		dwg no	51940-543		rev	A
www.fci.com		cat. no.	*	Product - Customer Drw			sheet 3 of 4		

PRODUCT NUMBER

51940-543__
NOTE: 3

NOTES:

1. DIMENSIONS AND TOLERANCES ARE IN ACCORDANCE WITH ASME Y14.5M, 1994 UNLESS OTHERWISE SPECIFIED.

CONNECTOR NOTES:

- ② HOUSING MATERIAL: UL 94 V-0 GLASS FILLED HIGH-TEMP THERMOPLASTIC
POWER CONTACT MATERIAL: COPPER ALLOY
SIGNAL PIN MATERIAL: COPPER ALLOY
- 3. SEE ITEM 5 & 6 IN PRINT 10064183 FOR PLATING SPEC OF 51940-543 AND 51940-543LF RESPECTIVELY.
- ④ MANUFACTURER'S NAME, DATE CODE AND OPTIONAL P/N TO APPEAR ON THIS SURFACE. THE MARK CAN BE OMITTED IF THERE IS NOT ENOUGH SPACE ON THIS SURFACE.
- 5. PRODUCT SPECIFICATION GS-12-149.
APPLICATION SPECIFICATION BUS-20-067.
- 6. PACKAGED IN TRAYS.
- PCB NOTES:
- 7. ALL HOLE DIAMETERS ARE FINISHED HOLE SIZE.
- ⑧ MOUNTING HOLES, WHERE APPLICABLE, ARE UNPLATED.
- ⑨ $\varnothing 1.151 \pm 0.025$ DRILLED HOLES PLATED WITH 0.008 MIN SnPb OR Sn OVER 0.03 TO 0.08 Cu PLATING TO ACHIEVE $\varnothing 1.02 \pm 0.07$ HOLE.
- ⑩ CONNECTOR KEEP-OUT ZONE.
- 11. THE VOID CORING IN BETWEEN POWER MODULES, SIGNAL MODULES AND END MODULES ARE OPTIONAL AND THE SHAPE MAY BE DIFFERENT FOR OPTIMIZE THE MOLDING PROCESS. THE VOID CORING WILL NOT EFFECT TO PRODUCT FUNCTION.
- ⑫ DATUM AND BASIC DIMENSIONS ARE ESTABLISHED BY CUSTOMER.

dr	Luo Weller	2012/12/05	projection 	MM 	size	A4	scale	1:1	
eng	Luo Weller	2014/07/21			ecn no	-			
chr	-	-							
appr	Pei-Ming Zheng	2014/07/21	product family	PwrBlade	rel level	Released			
	title	8S+12P+8S			dwg no	51940-543		rev	A
www.fci.com	cat. no.	*	Product - Customer Drw			sheet 4 of 4			