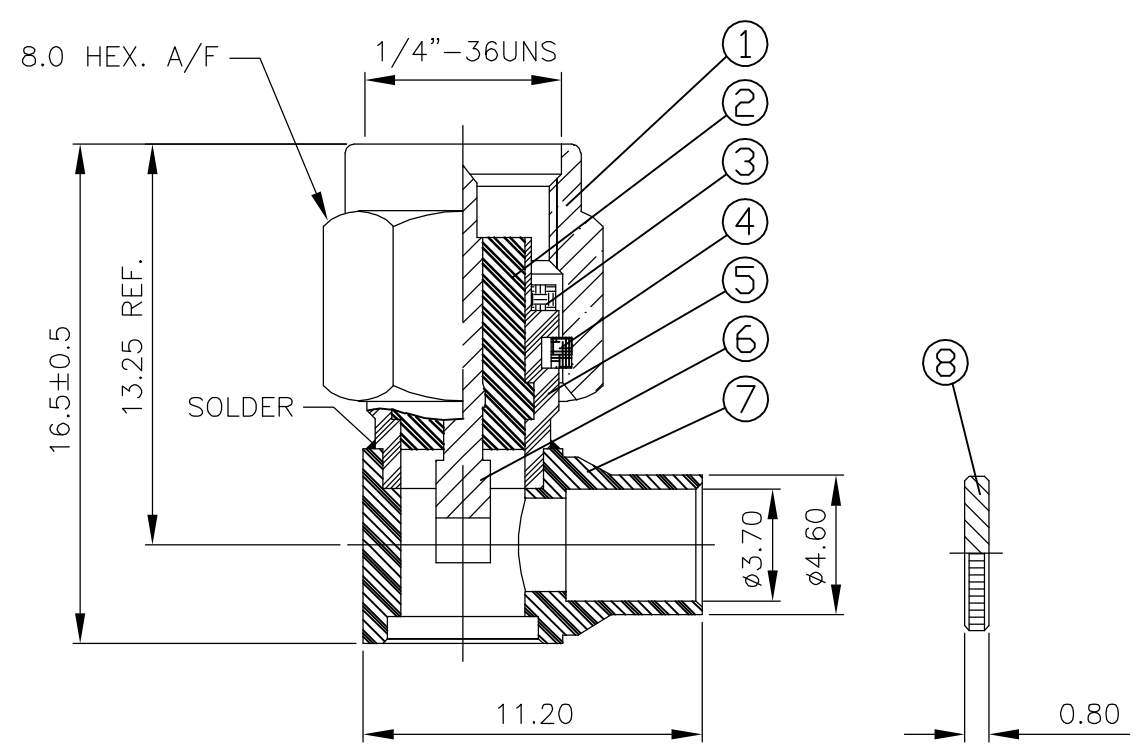
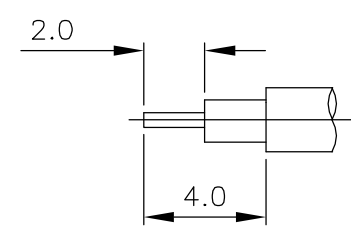


THIS DRAWING IS UNPUBLISHED. RELEASED FOR PUBLICATION APRIL, 2004.  
 © COPYRIGHT 2004 BY TYCO ELECTRONICS CORPORATION. ALL RIGHTS RESERVED.

LOC	DIST	REVISIONS					
E	B	P	LTR	DESCRIPTION	DATE	DWN	APVD
		A		EBD0-0035-03	09FEB04	RS	FWK

- NOTES:
- ① SINGLE PACK IN ACCORDANCE WITH SPEC 107-3275
  - ② 100 TRAY PACK IN ACCORDANCE WITH SPEC 107-3275
  - ③ 0.08µm Au PLATING OVER 1.27µm Ni PLATING
  - ④ 0.08µm Au PLATING OVER 1.27µm Ni PLATING OVER 0.76µm Cu PLATING
  - ⑤ 0.76µm Au PLATING OVER 1.27µm Ni PLATING OVER 0.76µm Cu PLATING
  - ⑥ PASSIVATED (GOLD PLATED CABLE ENTRY)
  - 7 FOR TECHNICAL DATA REFER TO YOUR LOCAL TYCO ELECTRONICS SALES OFFICE
  - 8 ALL DIMENSIONS ARE NOMINAL FOR REFERENCE ONLY UNLESS OTHERWISE STATED

RECOMMENDED  
CABLE STRIPPING DIM'S



		1	1	-	-	-	-	BRASS	④	CAP	8
		-	-	1	1	-	-	STAINLESS STEEL	⑥	CAP	8
		-	-	-	-	1	1	STAINLESS STEEL	③	CAP	8
		1	1	-	-	-	-	BRASS	④	CHASSIS	7
		-	-	1	1	-	-	STAINLESS STEEL	⑥	CHASSIS	7
		-	-	-	-	1	1	STAINLESS STEEL	③	CHASSIS	7
		1	1	1	1	1	1	BRASS	⑤	CENTER CONTACT	6
		1	1	-	-	-	-	BRASS	④	BODY	5
		-	-	1	1	-	-	STAINLESS STEEL	⑥	BODY	5
		-	-	-	-	1	1	STAINLESS STEEL	③	BODY	5
		1	1	1	1	1	1	STAINLESS STEEL		CIRCLIP	4
		1	1	1	1	1	1	SILICON		GASKET	3
		1	1	1	1	1	1	PTFE		INSULATOR	2
		1	1	-	-	-	-	BRASS	④	SHELL	1
		-	-	1	1	-	-	STAINLESS STEEL	⑥	SHELL	1
		-	-	-	-	1	1	STAINLESS STEEL	③	SHELL	1
		3--1	3--0	2--1	2--0	1--1	1--0	MATERIAL		DESCRIPTION	ITEM
		②	①	②	①	②	①				

THIS DRAWING IS A CONTROLLED DOCUMENT.		DWN R.SMITH 09FEB04	Tyco Electronics Corporation Bideford, UK, EX39 4HE			
DIMENSIONS: mm		CHK S.PARLOW 09FEB04	NAME F.WHEELER-KING			
TOLERANCES UNLESS OTHERWISE SPECIFIED:		APVD 09FEB04	PRODUCT SPEC 108-3460			
0 PLC ± - 1 PLC ± - 2 PLC ± - 3 PLC ± - 4 PLC ± - ANGLS ± - FINISH -		APPLICATION SPEC 411-3276		DRAWING NO A3 00779 C=1478905		
MATERIAL SEE TABLE		WEIGHT -		RESTRICTED TO -		
CUSTOMER DRAWING			SCALE 1:1	SHEET 1 OF 1	REV A	