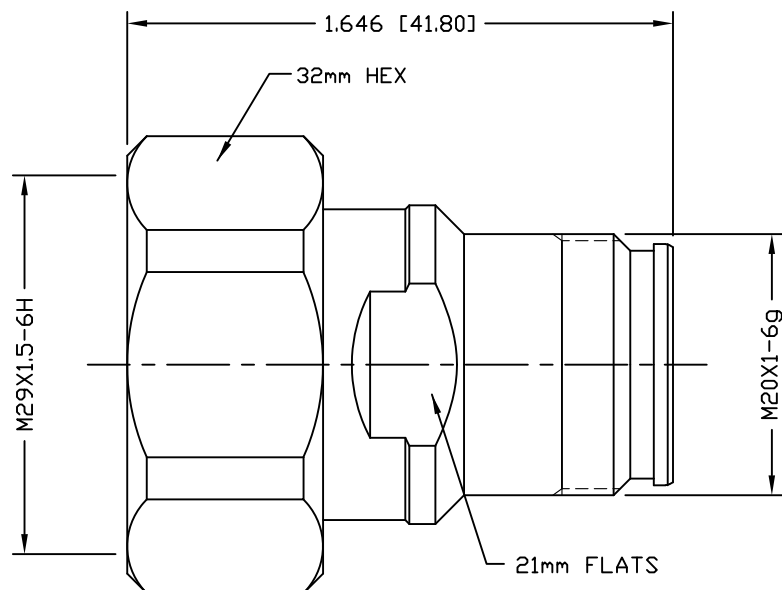


PART NO.

**RFD-1687-4**

REV	DESCRIPTION	DWN	DATE	APPROVED
A	UPDATED DWG.	CZS	03/18/18	JDMc

**SPECIFICATIONS:**

IMPEDANCE: 50 Ohms

FREQUENCY RANGE: 0-6 GHz

MAX. PIM: -160dBc MAX. (1900 MHz)

VSWR: 0 TO 3 GHz &lt;1.1:1

VSWR: 3 TO 4 GHz &lt;1.15:1

VSWR: 4 TO 6 GHz &lt;1.25:1

INSERTION LOSS: 0.05 dB MAX. @ 3.0 GHz

INSULATION RESISTANCE: 5K MOhms

WORKING VOLTAGE: 1200 vrms MAX.

MATING CYCLES: 500

TEMPERATURE RANGE: -55°C TO 85°C

CUSTOMER  
OUTLINE DRAWINGALL DIMENSIONS  
ARE REFERENCE ONLYUNLESS OTHERWISE SPECIFIED:  
DIMENSIONS ARE IN INCHES  
AND [MILLIMETERS]DRAWN  
C. ZUNIGA 03/18/18

CHECKED

ORJ DRAWN  
C. ZUNIGA 05/04/16**RoHS  
COMPLIANT**PROPRIETARY AND CONFIDENTIAL  
THIS DRAWING CONTAINS  
INFORMATION PROPRIETARY TO  
RF INDUSTRIES, ANY  
UNAUTHORIZED USE OF THIS  
DRAWING IS EXPRESSLY  
PROHIBITED WITHOUT WRITTEN  
PERMISSION FROM RF  
INDUSTRIES. ANY VIOLATION IS  
PUNISHABLE UNDER U.S.  
COPYRIGHT LAWS.**RFconnectors**  
DIVISION OF RF INDUSTRIES, LTD.7610 MIRAMAR RD.  
SAN DIEGO, CA 92126  
(858) 549-6340  
(858) 549-6345 FAX**7/16 DIN PLUG TO 4.3/10 JACK  
ADAPTER**

SIZE	CABLE GROUP	DWG NO.	REV
A	N/A	<b>RFD-1687-4</b>	A
SCALE:	ENGINEERING ID:	SHEET 1 OF 1	
NTS	000000		

#	DESCRIPTION	QTY	MATERIAL	FINISH
7	GROUND RING	1	Be.Cu.	WHITE BRONZE
6	GASKET	1	RUBBER	---
5	SHELL	1	BRASS	WHITE BRONZE
4	RETAINING RING	1	Be.Cu.	WHITE BRONZE
3	CONTACT	1	Be.Cu.	SILVER
2	INSULATOR	1	PTFE	---
1	BODY	1	BRASS	WHITE BRONZE