

2-1971800-3 ✓ ACTIVE



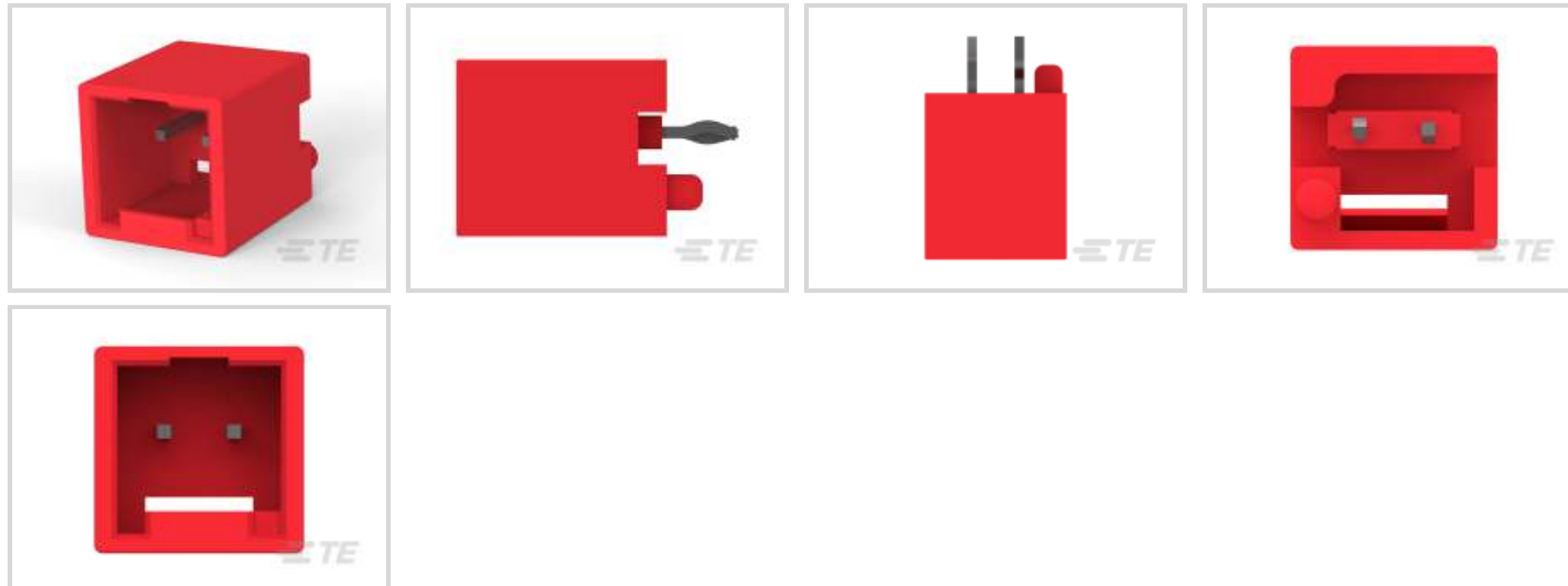
GRACE INERTIA 2.5

TE Internal #: 2-1971800-3

PCB Mount Header, Vertical, Wire-to-Board, 2 Position, 2.5 mm [.098 in] Centerline, Fully Shrouded, Tin, Through Hole - Solder, GRACE INERTIA 2.5

[View on TE.com >](#)

Connectors > PCB Connectors > PCB Headers & Receptacles > Glow Wire Sig GRACE INERTIA Header



Connector System: **Wire-to-Board**

Number of Positions: **2**

Number of Rows: **1**

Centerline (Pitch): **2.5 mm [.098 in]**

PCB Mount Orientation: **Vertical**

[All Glow Wire Sig GRACE INERTIA Header \(39\)](#)

Features

Product Type Features

| | |
|-----------------------------------|-----------------------|
| Connector System | Wire-to-Board |
| Header Type | Fully Shrouded |
| Sealable | No |
| Connector & Contact Terminates To | Printed Circuit Board |
| PCB Connector Assembly Type | PCB Mount Header |

Configuration Features

| | |
|-----------------------|----------|
| Number of Positions | 2 |
| Number of Rows | 1 |
| PCB Mount Orientation | Vertical |

Electrical Characteristics

| | |
|-------------------|--------|
| Operating Voltage | 50 VAC |
|-------------------|--------|

Body Features



| | |
|-------------------------|---|
| Connector & Keying Code | C |
|-------------------------|---|

| | |
|-----------------------|-----|
| Primary Product Color | Red |
|-----------------------|-----|

Contact Features

| | |
|------------------------------|---------------|
| Mating Square Post Dimension | .5 mm[.02 in] |
|------------------------------|---------------|

| | |
|---|---------------------------|
| PCB Contact Termination Area Plating Material Thickness | 1 μ m[39.37 μ in] |
|---|---------------------------|

| | |
|----------------|--------|
| Contact Layout | Inline |
|----------------|--------|

| | |
|------------------|---------------|
| Mating Tab Width | .5 mm[.02 in] |
|------------------|---------------|

| | |
|---|---------------------------|
| Contact Underplating Material Thickness | 1.27 μ m[50 μ in] |
|---|---------------------------|

| | |
|--|---------------------------|
| Contact Mating Area Plating Material Thickness | 1 μ m[39.37 μ in] |
|--|---------------------------|

| | |
|--|-------|
| PCB Contact Termination Area Plating Material Finish | Matte |
|--|-------|

| | |
|----------------------|--------|
| Contact Shape & Form | Square |
|----------------------|--------|

| | |
|---|-------|
| Contact Mating Area Plating Material Finish | Matte |
|---|-------|

| | |
|-------------------------------|--------|
| Contact Underplating Material | Nickel |
|-------------------------------|--------|

| | |
|---|-----|
| PCB Contact Termination Area Plating Material | Tin |
|---|-----|

| | |
|-----------------------|-------|
| Contact Base Material | Brass |
|-----------------------|-------|

| | |
|--------------------------------------|-----|
| Contact Mating Area Plating Material | Tin |
|--------------------------------------|-----|

| | |
|--------------|-----|
| Contact Type | Tab |
|--------------|-----|

| | |
|------------------------------|-----|
| Contact Current Rating (Max) | 3 A |
|------------------------------|-----|

Termination Features

| | |
|---|-----------------|
| Rectangular Termination Post & Tail Thickness | .46 mm[.018 in] |
|---|-----------------|

| | |
|---|-----------------|
| Rectangular Termination Post & Tail Width | .46 mm[.018 in] |
|---|-----------------|

| | |
|--------------------------------|---------------|
| Termination Post & Tail Length | 3 mm[.118 in] |
|--------------------------------|---------------|

| | |
|---|-----------------------|
| Termination Method to Printed Circuit Board | Through Hole - Solder |
|---|-----------------------|

Mechanical Attachment

| | |
|--------------------------|----------------|
| PCB Mount Alignment Type | Locating Posts |
|--------------------------|----------------|

| | |
|-----------------------|-------|
| Mating Alignment Type | Keyed |
|-----------------------|-------|

| | |
|------------------|------|
| Mating Retention | With |
|------------------|------|

| | |
|--------------------------|--------|
| PCB Mount Retention Type | Kinked |
|--------------------------|--------|

| | |
|-----------------------|-------|
| Mating Retention Type | Latch |
|-----------------------|-------|

| | |
|-------------------------|-------------|
| Connector Mounting Type | Board Mount |
|-------------------------|-------------|

| | |
|------------------|------|
| Mating Alignment | With |
|------------------|------|

| | |
|---------------------|------|
| PCB Mount Alignment | With |
|---------------------|------|

| | |
|---------------------|------|
| PCB Mount Retention | With |
|---------------------|------|



Housing Features

| | |
|--------------------|------------------|
| Housing Material | Nylon |
| Centerline (Pitch) | 2.5 mm [.098 in] |

Dimensions

| | |
|-----------------------------|------------------|
| Connector Length | 7.5 mm [.29 in] |
| Connector Height | 8.8 mm [.34 in] |
| Connector Width | 7.38 mm [.29 in] |
| PCB Thickness (Recommended) | 1.6 mm [.063 in] |

Usage Conditions

| | |
|-----------------------------|-----------------------------|
| Operating Temperature Range | -30 – 105 °C [-22 – 221 °F] |
|-----------------------------|-----------------------------|

Operation/Application

| | |
|---------------------|--------|
| Circuit Application | Signal |
|---------------------|--------|

Industry Standards

| | |
|------------------------|-----------|
| Glow Wire Rating | Glow Wire |
| Agency/Standard | UL |
| Approved Standards | UL E28476 |
| UL Flammability Rating | UL 94V-0 |

Packaging Features

| | |
|--------------------|----------|
| Packaging Quantity | 1600 |
| Packaging Type | Bag, Box |

Product Compliance

[For compliance documentation, visit the product page on TE.com>](#)

| | |
|---|--|
| EU RoHS Directive 2011/65/EU | Compliant |
| EU ELV Directive 2000/53/EC | Compliant |
| China RoHS 2 Directive MIIT Order No 32, 2016 | No Restricted Materials Above Threshold |
| EU REACH Regulation (EC) No. 1907/2006 | Current ECHA Candidate List: JUNE 2023 (235) Candidate List Declared Against: JAN 2023 (233) Does not contain REACH SVHC |
| Halogen Content | Not Low Halogen - contains Br or Cl > 900 ppm. |
| Solder Process Capability | Not reviewed for solder process capability |



Product Compliance Disclaimer

This information is provided based on reasonable inquiry of our suppliers and represents our current actual knowledge based on the information they provided. This information is subject to change. The part numbers that TE has identified as EU RoHS compliant have a maximum concentration of 0.1% by weight in homogenous materials for lead, hexavalent chromium, mercury, PBB, PBDE, DBP, BBP, DEHP, DIBP, and 0.01% for cadmium, or qualify for an exemption to these limits as defined in the Annexes of Directive 2011/65/EU (RoHS2). Finished electrical and electronic equipment products will be CE marked as required by Directive 2011/65/EU. Components may not be CE marked. Additionally, the part numbers that TE has identified as EU ELV compliant have a maximum concentration of 0.1% by weight in homogenous materials for lead, hexavalent chromium, and mercury, and 0.01% for cadmium, or qualify for an exemption to these limits as defined in the Annexes of Directive 2000/53/EC (ELV). Regarding the REACH Regulation, the information TE provides on SVHC in articles for this part number is based on the latest European Chemicals Agency (ECHA) 'Guidance on requirements for substances in articles' posted at this URL: <https://echa.europa.eu/guidance-documents/guidance-on-reach>

Compatible Parts



TE Part # CAT-G7534A-H342A
Glow Wire Sig GRACE INERTIA Header



TE Part # CAT-G7534A-C1701
STD Temp Sig GRACE INERTIA Cap



TE Part # 1903391-1
GIC 2.5 W CAP HSG 2P NATURAL



TE Part # 1-1903391-2
GIC 2.5 W CAP HSG 2P RED

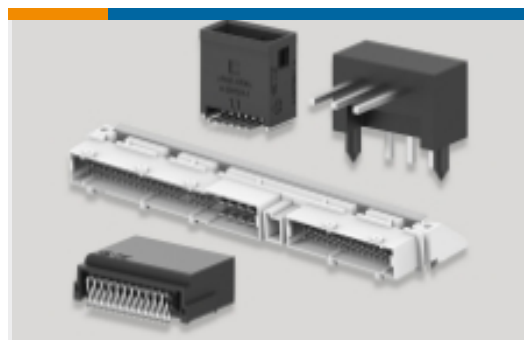


TE Part # 7-1971798-1
NEW GI CONN2.5 HDR ASMBLY 7P
NC D1.0

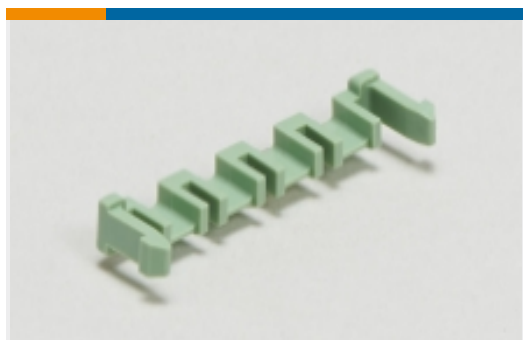
Also in the Series | GRACE INERTIA 2.5



Connector Contacts(2)



PCB Headers & Receptacles(138)



PCB Latches, Locks & Retainers(5)



Rectangular Connector Housings(49)



Rectangular Connector Locking(2)



Rectangular Power Connectors(35)

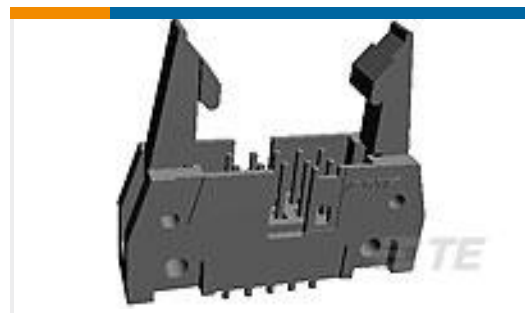


Wire-to-Board Connector Assemblies & Housings(46)

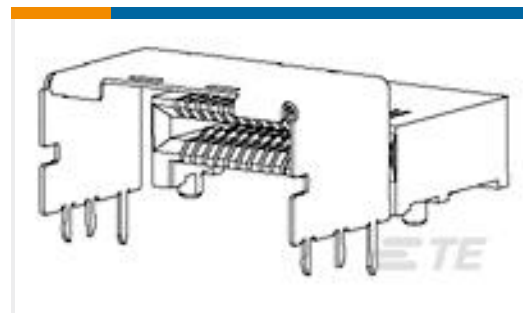


Wire-to-Board Connector Contacts(4)

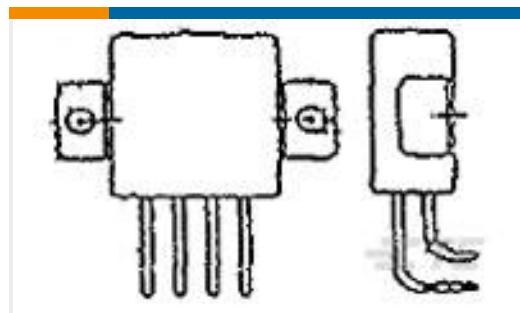
Customers Also Bought



TE Part #5499922-4
A/L UNIV HDR 20P VERT LG LAT



TE Part #1888019-4
Shielded Right Angle Receptacl



TE Part #3-1617758-7
FCB-205-0127M=M83536/1-027M



TE Part #4-794630-2
12P MICRO MNL ASSY,VRT,HDR,LF



TE Part #1-1617150-0
JMGSCD-26MW = M39016/42-052M



TE Part #535541-3
05 MODIV VRT SR CE 100/115



TE Part #1-1625892-2
3W SM M/OX 5% 12K



TE Part #2118720-2
STD SHIELD FRAME, CRS-32.00X32.00X6.00MM



TE Part #1-1721150-3
ORWH-SH-112D1F,000



TE Part #3-1123723-2
3.96 EP HDR ASSY 2P(BLUE)

Documents

Product Drawings

[NEW GI CONN2.5 HDR ASMBLY 2P RED D1.5](#)

English

[NEW GI CONN2.5 HDR ASMBLY 2P RED D1.5](#)

English

CAD Files

[3D PDF](#)

[3D](#)



Customer View Model

[ENG_CVM_CVM_2-1971800-3_E_c-2-1971800-3-e.2d_dxf.zip](#)

English

Customer View Model

[ENG_CVM_CVM_2-1971800-3_E_c-2-1971800-3-e.3d_igs.zip](#)

English

Customer View Model

[ENG_CVM_CVM_2-1971800-3_E_c-2-1971800-3-e.3d_stp.zip](#)

English

By downloading the CAD file I accept and agree to the [Terms and Conditions](#) of use.

Datasheets & Catalog Pages

[5-1773465-3-GI2.5Flyer](#)

English

[7-1773465-8-GI2.5-ChineseFlyer](#)

Product Specifications

[Application Specification](#)

English