

## Technical Data

### QUARTZ CRYSTAL SPECIFICATION

Ref. No. \_\_\_\_\_  
 Date 5-June-00  
 Page 1 of 1

SaRonix  
 PART NO. : SRX6559 REV. : A  
 SPEC NO. : \_\_\_\_\_

CUSTOMER: \_\_\_\_\_  
 PART NO. : \_\_\_\_\_  
 DWG. or SPEC NO. : \_\_\_\_\_ REV. \_\_\_\_\_

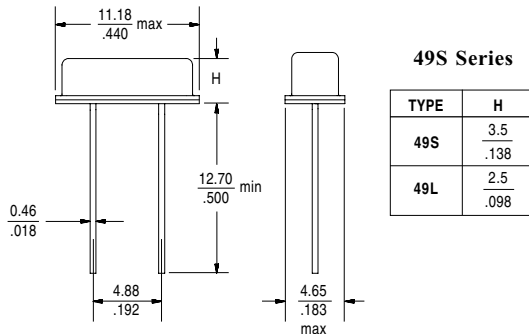
#### ELECTRICAL:

- 1.0 Operating Temperature Range -50 °C to +85 °C.  
 2.0 Frequency Temperature Stability = ± 50 ppm over -50 °C to +85 °C.

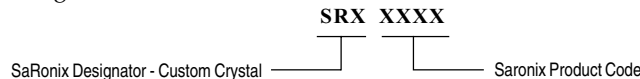
3.0 Specifications at 25°C ±2°C:	Value	Units
3.1 Frequency	4.000000	MHz
3.2 Frequency Calibration Tolerance	30	ppm
3.3 Load Capacitance	20	pF
3.4 Effective Series Resistance	90	Ohms, Max.
3.5 Drive Level - correlation operating maximum	400	μW
		μW
	2000	μW
3.6 Shunt Capacitance	7	pF, Max.
3.7 Oscillation Mode	Fundamental	
3.8		
3.9		
4.0 Test Circuit	Saunders 150C	

#### MECHANICAL:

- 5.0 Package Type:  49S  49L  
 5.1 Package Details



- 6.0 Standard Marking Formats



- 7.0 Notes

AA-05Jun00

TD-101 REV H