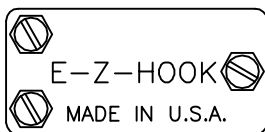
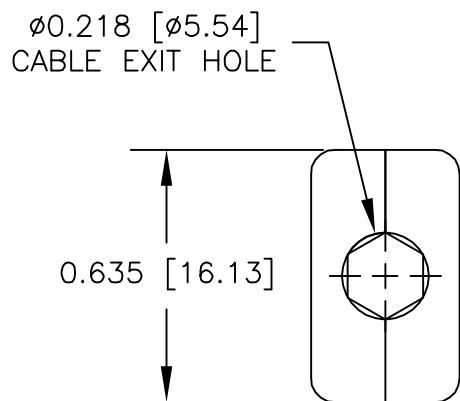
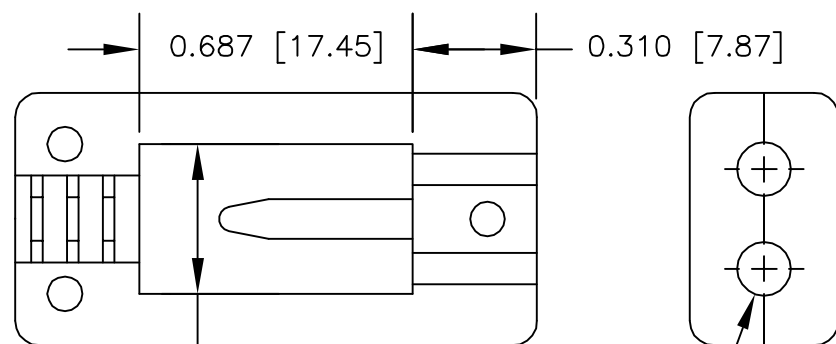
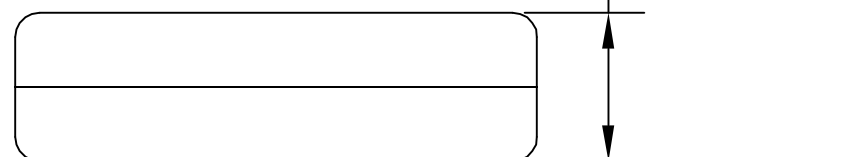
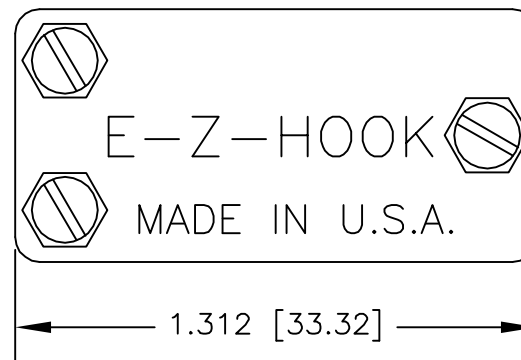


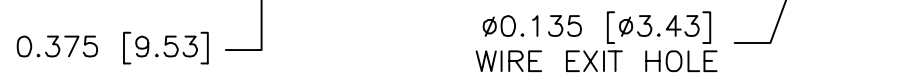
NOTES: UNLESS OTHERWISE SPECIFIED

- CONSTRUCTION:  
HOUSING: MOLDED NYLON. AVAILABLE IN BLACK.
- PERFORMANCE:  
MAXIMUM CURRENT: XX  
MAXIMUM VOLTAGE: XX  
MAXIMUM TEMPERATURE: XX
- FEATURES:  
BUILT IN STRAIN RELIEF.

| REVISIONS |             | DATE | APPROVED |
|-----------|-------------|------|----------|
| LTR       | DESCRIPTION |      |          |



ACTUAL SIZE



|             |         |   |              |                |  |      |
|-------------|---------|---|--------------|----------------|--|------|
|             |         | UNLESS OTHERWISE SPECIFIED<br>DIMENSIONS ARE IN INCHES<br>TOLERANCES ARE:<br>FRACTIONS DECIMALS ANGLES<br>± .XX ± ±<br>.XXX ± | CONTRACT NO. |                | <b>E-Z-HOOK</b> DIVISION OF TEKTEST INC.<br>ARCADIA, CA 91006 U.S.A. |      |
|             |         |   | APPROVALS    | DATE           |  |      |
|             |         | MATERIAL<br>SEE NOTE.   | DRAWN        | R.L. 10/10     | DESCRIPTION<br>IN-LINE Y BLOCK FOR<br>STANDARD SIZE CABLES           |      |
|             |         |   | APPROVED BY  |                |  |      |
|             |         | FINISH<br>SEE NOTE.   | SIZE         | CODE IDENT NO. | DRAWING NO.  | REV. |
| NEXT ASSY   | USED ON |   |              | <b>A 08505</b> | Y1000-2  |      |
| APPLICATION |         | DO NOT SCALE DRAWING  | SCALE        | 2:1            | SHEET 1 OF 1   |      |

THE INFORMATION CONTAINED IN THIS DOCUMENT IS PROPRIETARY TO E-Z-HOOK. THE INFORMATION IS NOT TO BE REPRODUCED WITHOUT PRIOR WRITTEN PERMISSION OF E-Z-HOOK, DIV. OF TEKTEST INC. MAXIMUM TESTED RATINGS IN A HANDS-FREE CONTROLLED ENVIRONMENT. MAXIMUM RATINGS ARE NOT TO BE USED CONCURRENTLY.