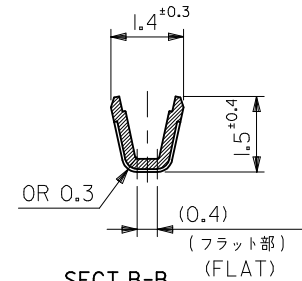
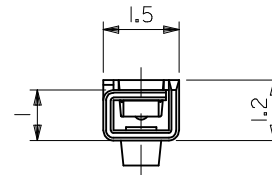
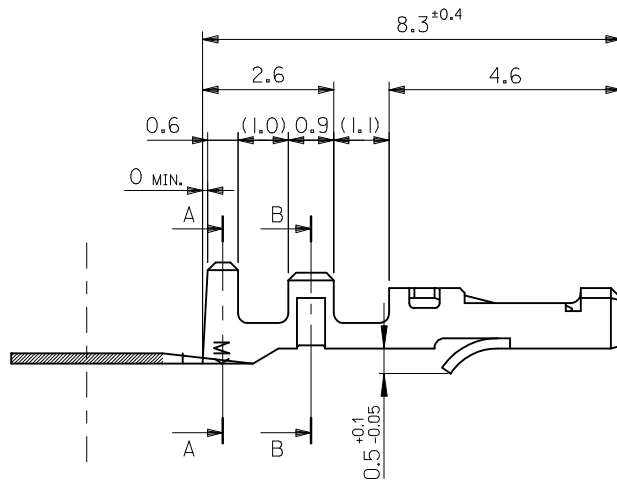


SECT.A-A



SECT.B-B



注記
NOTES

- 適合ハウジング : 51005
APPLICABLE HOUSING : 51005
- 嵌合相手 : 50012
MATE WITH : 50012
- ELV 及び RoHS適合品
ELV AND RoHS COMPLIANT.

50013-8100	バラ状 LOOSE
50013-8000	連鎖状 CHAIN
MATERIAL NO.	端子形状 FORM

50013-8*00
MODEL NO.

材料 MATERIAL	リン青銅 錫メッキ (t=0.2) PHOS. BRO. PRE-TINNED (t=0.2)
仕上げ FINISH	— # —
適用電線範囲 WIRE RANGE	AWG#24 ~ #28
被覆外径 INS. RANGE	φ0.9 ~ φ1.15

REVISED EC NO: J2010-0035 DRWN: TAKAGAWA01 2009/07/06 CHKD: MATSUMOTO 2009/07/06 APPR: NUKITA 2009/07/06	GENERAL TOLERANCES (UNLESS SPECIFIED)	DIMENSION STYLE MM ONLY	SCALE 10:1	DESIGN UNITS METRIC	THIRD ANGLE PROJECTION
	10 UNDER ±0.2	DRAWN BY T. YASUI	DATE '95/08/21	TITLE 2.0 WIRE TO WIRE CONN. CRIMP REC.	
	10 OVER 30 UNDER ±0.25	CHECKED BY H. HIRAMOTO	DATE '95/08/22	MOLEX INCORPORATED	
	30 OVER ±0.3	APPROVED BY M. FUKUSHIMA	DATE '95/08/22	DOCUMENT NO. SD-50013-001	SHEET NO. 1 OF 1
ANGULAR ±3 °	DRAFT WHERE APPLICABLE MUST REMAIN WITHIN DIMENSIONS		SEE TABLE		

SIZE A3	THIS DRAWING CONTAINS INFORMATION THAT IS PROPRIETARY TO MOLEX INCORPORATED AND SHOULD NOT BE USED WITHOUT WRITTEN PERMISSION				
------------	--	--	--	--	--