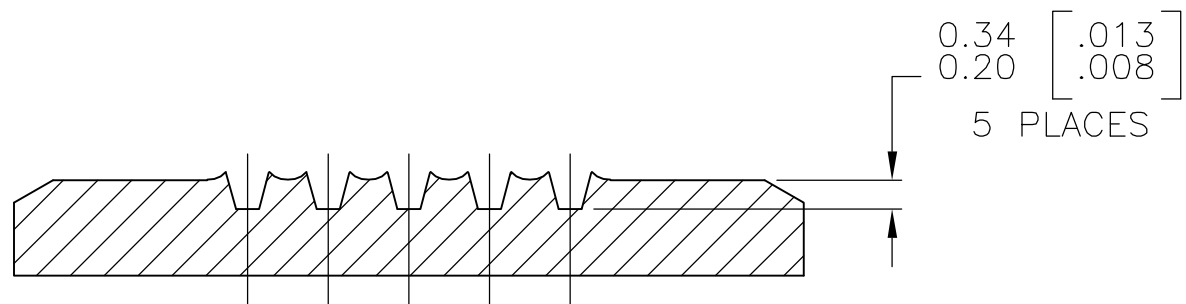
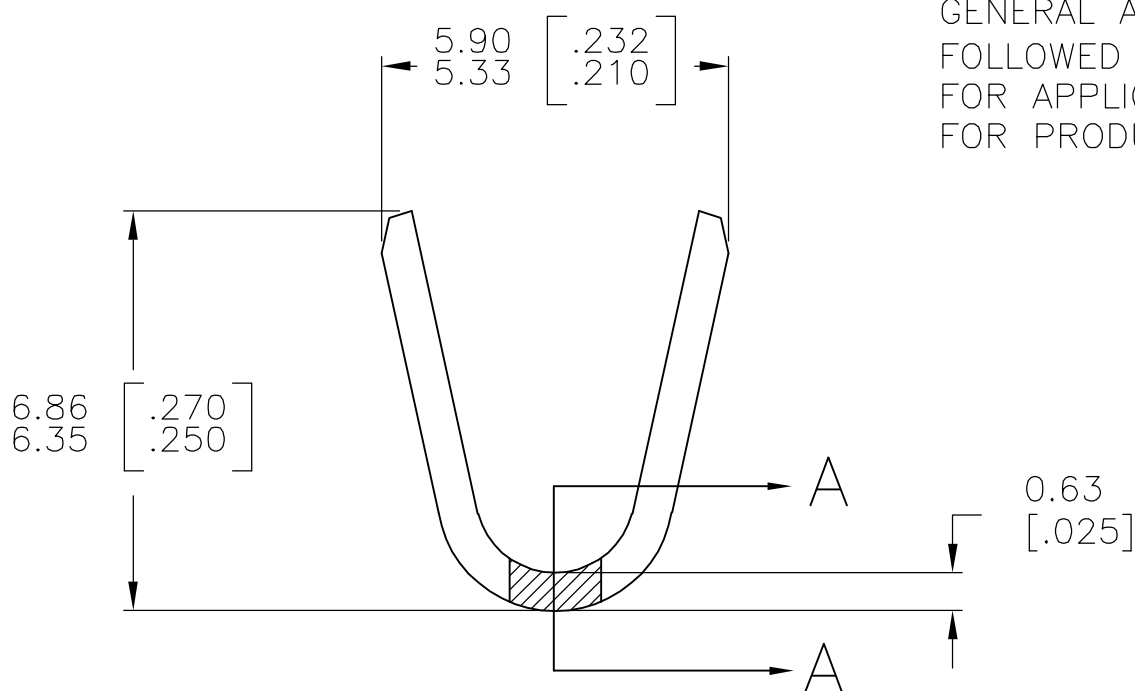
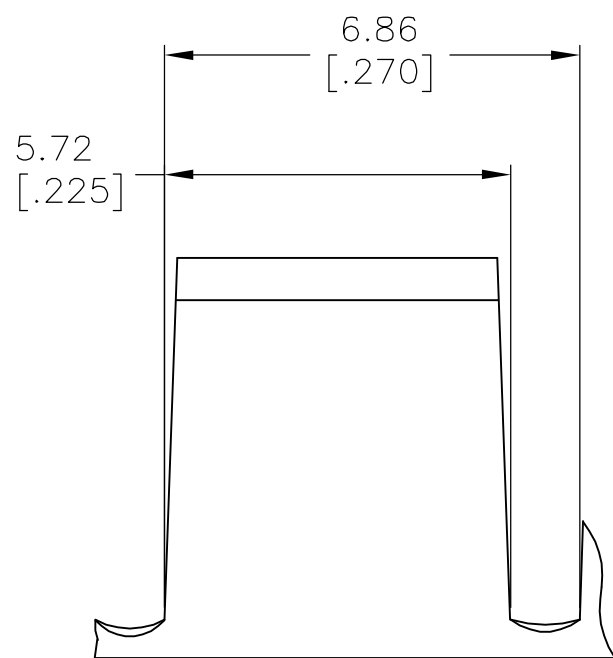
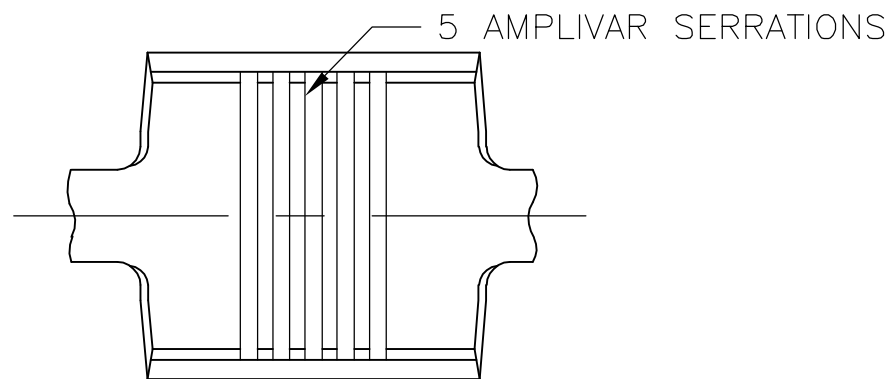


THIS DRAWING IS UNPUBLISHED. RELEASED FOR PUBLICATION
 © COPYRIGHT BY TYCO ELECTRONICS CORPORATION. ALL RIGHTS RESERVED.

LOC	DIST	REVISIONS				
P	LTR	DESCRIPTION	DATE	DWN	APVD	
AF	50	E1	ECR-06-023927(REDRAWN IN AUTOCAD)	07JUL06	HMR	GP



SECTION A-A
SCALE 20:1

- CONTINUOUS STRIP ON REELS.
- DIMENSIONS IN BRACKETS ARE IN INCHES.
- FOR ADDITIONAL INFORMATION, SEE APPLICATION SPEC. 114-2009.
- WIRE RANGE: 7000-13000 CMA.
- CRIMP WIDTH: .180 F TYPE (AMPLIVAR THRU)
 CRIMP HEIGHT $(\pm .002) = (\text{TOTAL CMA} + 23,000) / 312,500$
 GENERAL APPLICATION GUIDELINES MUST BE FOLLOWED AS SPECIFIED IN CATALOG #82221
 FOR APPLICATOR INFORMATION CALL: 1-800-722-1111
 FOR PRODUCT INFORMATION CALL: 1-800-522-6752

41904
PART NO

THIS DRAWING IS A CONTROLLED DOCUMENT.		DWN RAGHAVENDRA 07JUL06	Tyco Electronics Corporation Harrisburg, PA 17105-3608	
DIMENSIONS: mm [INCHES]		CHK G.D.PORTA	NAME	
TOLERANCES UNLESS OTHERWISE SPECIFIED:		APVD G.D.PORTA	PRODUCT SPEC	
0 PLC ± - 1 PLC ± - 2 PLC ± - 3 PLC ± 0.38 [.015] 4 PLC ± - ANGLES ± 1' 0"		APPLICATION SPEC		SPLICE, AMPLIVAR
MATERIAL BRASS	FINISH TIN PLATE	WEIGHT -	SIZE A3	CAGE CODE 00779
		DRAWING NO C-41904		RESTRICTED TO -
CUSTOMER DRAWING			SCALE 8:1	SHEET 1 OF 1
			REV E1	