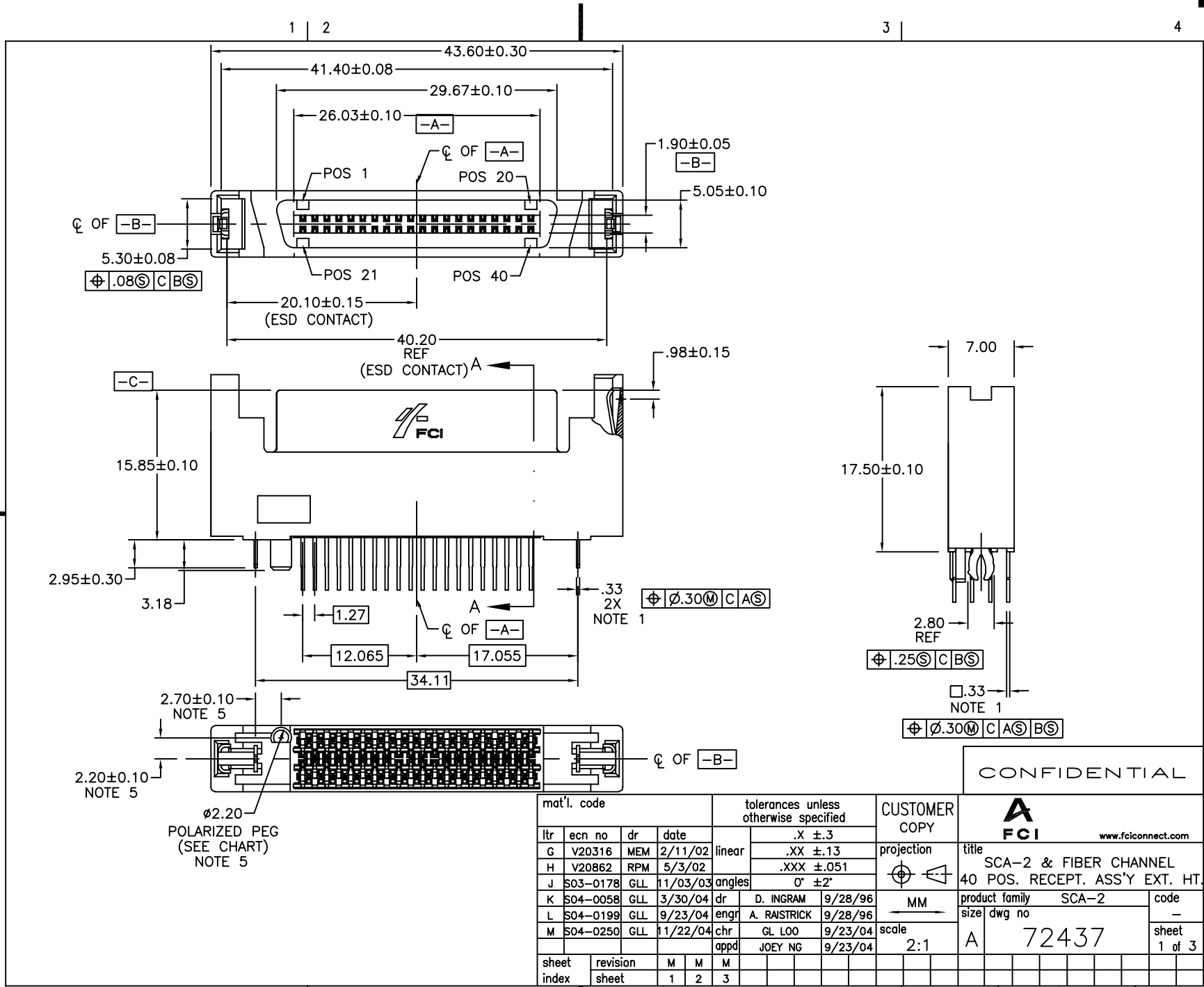


Tous droits strictement reserves. Reproduction ou communication a des tiers interdite sous quelque forme que ce soit sans autorisation ecrite du proprietaire. Propriete de c FCI. Droits de reproduction FCI.

All rights strictly reserved. Reproduction or issue to third parties in any form whatever is not permitted without written authority from the proprietor. Property of FCI. Copyright FCI.



2.70 ± 0.10
NOTE 5

2.20 ± 0.10
NOTE 5

ø2.20
POLARIZED PEG
(SEE CHART)
NOTE 5

mat'l. code		tolerances unless otherwise specified		CUSTOMER COPY	
ltr	ecn no	dr	date	linear	projection
G	V20316	MEM	2/11/02	.X ±.3	MM
H	V20862	RPM	5/3/02	.XX ±.13	2:1
J	S03-0178	GLL	11/03/03	.XXX ±.051	
K	S04-0058	GLL	3/30/04	0° ±2'	
L	S04-0199	GLL	9/23/04		
M	S04-0250	GLL	11/22/04		
				appd	
				JOEY NG	
sheet index	revision sheet	M	M	M	
		1	2	3	

CONFIDENTIAL

FCI www.fciconnect.com

title
SCA-2 & FIBER CHANNEL
40 POS. RECEPT. ASS'Y EXT. HT.

product family SCA-2 code
size dwg no A 72437 sheet
1 of 3

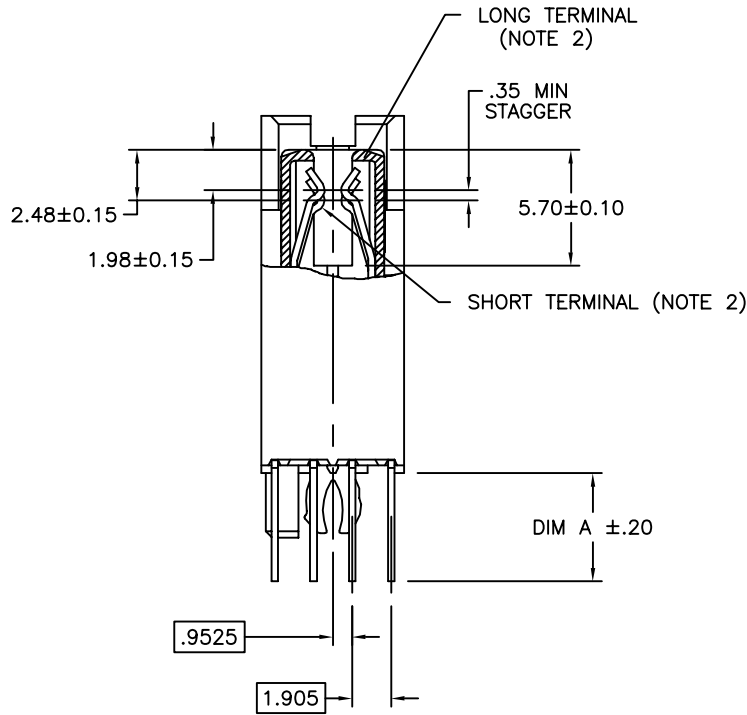
cage code
22526

ACAD

Tous droits strictement reserves. Reproduction ou communication a des tiers interdite sous quelque forme que ce soit sans autorisation ecrite du proprietaire. Propriete de c FCI. Droits de reproduction FCI.



All rights strictly reserved. Reproduction or issue to third parties in any form whatever is not permitted without written authority from the proprietor. Property of FCI. Copyright FCI.



SECTION A-A

CONFIDENTIAL

mat'l. code		tolerances unless otherwise specified		CUSTOMER COPY		 www.fciconnect.com				
ltr	ecn no	dr	date	linear	.X ±.3	projection				
M					.XX ±.13					
					.XXX ±.051					
				angles	0° ±2'	 MM	title SCA-2 & FIBER CHANNEL 40 POS. RECEPT. ASS'Y EXT. HT.			
			dr	D. INGRAM	9/28/96			product family SCA-2	code -	
			engr	A. RAISTRICK	9/28/96					size dwg no A 72437
			chr	GL L00	9/23/04			scale 3:1		
			appd	JOEY NG	9/23/04					
sheet index	revision sheet									

cage code
22526

ACAD

PDM: Rev:M

STATUS:Released

Printed: Mar 14, 2007

Tous droits strictement reserves. Reproduction ou communication a des tiers interdite sous quelque forme que ce soit sans autorisation ecrite du proprietaire. Propriete de c FCI. Droits de reproduction FCI.

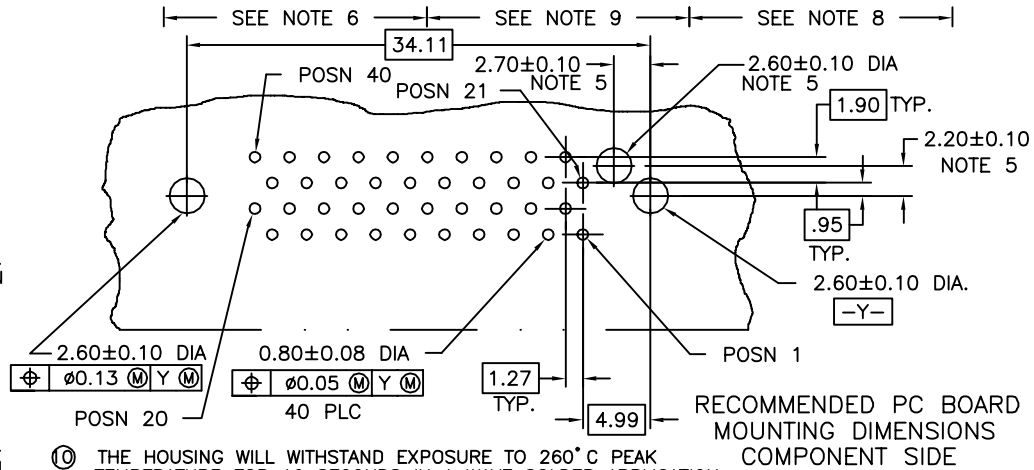
FCI

All rights strictly reserved. Reproduction or issue to third parties in any form whatever is not permitted without written authority from the proprietor. Property of FCI. Copyright FCI.

PRODUCT NO.	DIM A	POLARIZATION PEG	PLATING	RECOMMENDED P.C. BOARD THICKNESS	PRODUCT NO.	PLATING	PRODUCT NO.	PLATING	PRODUCT NO.	PLATING	
72437-001	2.79	YES	NOTE 4	1.57mm (0.062")	72437-101	NOTE 6	72437-001LF	NOTE 9	72437-201LF	NOTE 8	
-001S					-101S		-002LF		-202LF		
-002					-102		-003LF		-203LF		
-002S	-102S	-004LF			-204LF						
-003	3.18	YES			2.36mm (0.093")		-103		72437-005LF		72437-205LF
-003S					-103S		-006LF		-206LF		
-004				3.18	NO		3.18mm (0.125")		-104		-007LF
-004S	-104S										
-005	4.06	YES					-105				
-005S			-105S								
-006			4.06	NO	-106						
-006S	-106S										
-007	4.60	YES			-107						
72437-007S			72437-107S								

NOTES :

- ① TRUE POSITION NOTES APPLY AT TERMINAL TIP.
- ② CONTACTS IN POSITIONS 1 THRU 20,24,25,27,28, 30, 31, 33, AND 34 ARE SHORT TERMINALS. CONTACTS IN POSITIONS 21, 22, 23, 26, 29, 32, AND 35 THRU 40 ARE LONG TERMINALS.
- ③ RAW MATERIALS:
HOUSING: HTN, UL94V-0, COLOR: BLACK
CONTACTS: PHOSPHOR-BRONZE
- ④ CONTACT PLATING: 30u" (0.76um) MIN. GXT PLATING OVER 50u" (1.27um) NICKLE MIN. UNDERPLATE IN CONTACT AREA. 100u" (2.54um) MIN TIN-LEAD PLATING OVER 50u" (1.27um) MIN NICKEL UNDERPLATE IN P.C. BOARD LEG AREA. 50u"(1.27um) MIN. NICKLE UNDERPLATE OVER REMAINING AREA.
- ⑤ DIMENSIONS DO NOT APPLY TO CONNECTOR STYLES WITHOUT POLARIZATION PEG. (SEE CHART)
- ⑥ CONTACT PLATING: 30u" (0.76um). MIN. GOLD PLATING OVER 50u" (1.27um) NICKLE MIN. UNDERPLATE IN CONTACT AREA. 100u" (2.54um) MIN TIN-LEAD PLATING OVER 50u" (1.27um) MIN NICKEL UNDERPLATE IN P.C. BOARD LEG AREA. 50u" (1.27um) MIN. NICKLE UNDERPLATE OVER REMAINING AREA.
- ⑦ PART NUMBERS WITH AN "S" SUFFIX ARE MANUFACTURED WITH A BRIGHT TIN-LEAD FINISH ON THE TERMINAL TAIL SECTION. PART NUMBERS WITHOUT AN END SUFFIX ARE MANUFACTURED WITH MATTE TIN-LEAD FINISH OR MATTE TIN FINISH.
- ⑧ CONTACT PLATING: 30u" (0.76um) GOLD PLATING OVER 50u" (1.27um) NICKLE UNDERPLATE IN CONTACT AREA. 100u" (2.54um) - 100u"(5.08um) TIN PLATING OVER 50u" (1.27um) - 100u" (2.54um) NICKEL UNDERPLATE IN P.C. BOARD LEG AREA. 50u" (1.27um) NICKEL UNDERPLATE OVER REMAINING AREA.
- ⑨ CONTACT PLATING: 30u" (0.76um) GXT PLATING OVER 50u" (1.27um) NICKLE UNDERPLATE IN CONTACT AREA. 100u" (2.54um) - 200u"(5.08um) TIN PLATING OVER 50u" (1.27um) - 100u" (2.54um) NICKEL UNDERPLATE IN P.C. BOARD LEG AREA. 50u" (1.27um) NICKEL UNDERPLATE OVER REMAINING AREA.



- ⑩ THE HOUSING WILL WITHSTAND EXPOSURE TO 260° C PEAK TEMPERATURE FOR 10 SECONDS IN A WAVE SOLDER APPLICATION WITH A 1.57MM MINIMUM THICK CIRCUIT BOARD.
- ⑪ THIS PRODUCT MEETS EUROPEAN UNION DIRECTIVES AND OTHER COUNTRY REGULATIONS AS DESCRIBED IN GS-22-008.
- 12 PART NUMBERS ENDING IN "LF" MEANS FOR NOTE 11 LEAD FREE IDENTIFICATION. P/N XXXXX-2XXLF IS EQUIVALENT TO PREVIOUS P/N XXXXX-2XX

CONFIDENTIAL

mat'l. code		tolerances unless otherwise specified		CUSTOMER COPY		 www.fciconnect.com	
ltr	ecn no	dr	date	linear	.X ±.3	projection	title
M					.XX ±.13		
				angles	.XXX ±.051	product family	code
				dr	0' ±2'		
				engr	D. INGRAM 9/28/96	size	dwg no
				chr	A. RAISTRICK 9/28/96		
				appd	GL L00 9/23/04	scale	sheet
					JOEY NG 9/23/04		
sheet index	revision sheet						

cage code 22526

ACAD