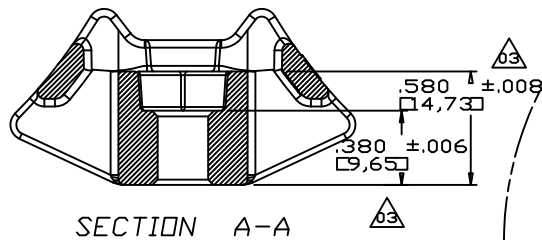
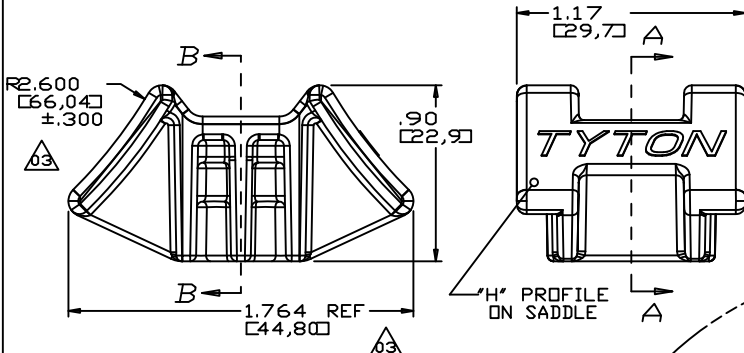
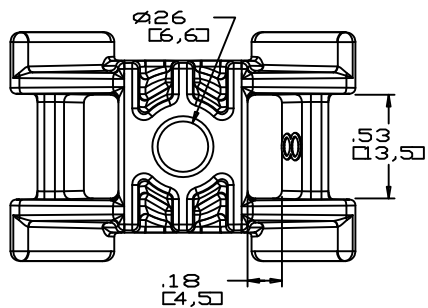


SECTION C-C

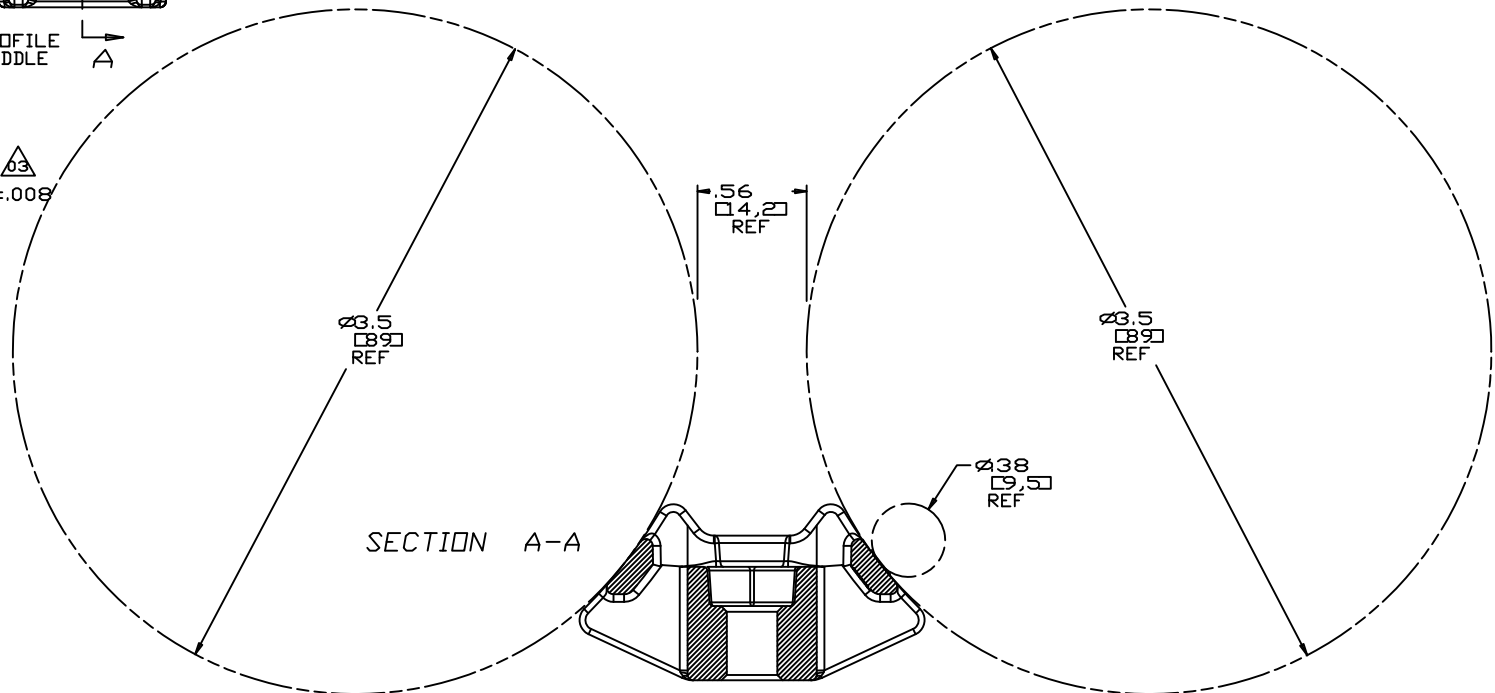


SECTION A-A



FEATURES:

- PROVIDES DUAL BUNDLING/PARALLEL SPACING - SEE SECTION A-A
- "H" PROFILE ON SADDLE PROVIDES FOR TIGHT CIRCUMFERENTIAL LOOP ON LARGE AND SMALL BUNDLES
- HEX FEATURE CAPTURES BOLT OR NUT REQUIRING TOOL ACCESS FROM BACK SIDE ONLY
- MOUNTING HOLE DIAMETER AND HEX RETAINER WORKS WITH 6mm & 1/4" NUTS AND BOLTS
- RUGGED HEAVY DUTY DESIGN & MATERIAL
- 250 lb ASSEMBLY STRENGTH IN ANY DIRECTION
- WITHSTANDS 115 in-lb OF TORQUE APPLIED TO FASTENER
- FASTEN MOUNT WITH BOLT, SCREW, RIVET, SPIKE, ETC...
- ACCEPTS MOST STANDARD CABLE TIES UP TO 1/2" WIDE
- ALSO CHAINING OF MULTIPLE BUNDLES ON A SINGLE MOUNT IS AVAILABLE IF T250 WITH BUCKLE/MOUNT FEATURE IS USED



SECTION A-A

INVENTORS

HellermannTyton

ALL PROPRIETARY RIGHTS IN THE SUBJECT MATTER SHOWN ON THIS DRAWING ARE EXCLUSIVE PROPERTY OF HELLERMANNTYTON

name	date	city, state
GERRY GEIGER	1/2/98	JACKSON WI

REVISION

level	by	date	ECN#	part level
04	GCG	7-23-19	015312	B

DIMENSIONS

XXXX = ±0.001/[0.025]
.XXX = ±0.010/[.25]
.XX = ±0.02/[1.5]
.X = ±0.1/[2.5]
∠ = ±0.5
unless otherwise specified
units Inches/[mm]

PART

number	S2HM25	phase	PRODUCTION
name	2-WAY SADDLE MOUNT FOR 6MM & 1/4" BOLTS WITH HEXAGONAL RETENTION		
material	PA66HIRSUV		

DRAWING

FORMAT	version	CAD	PRO-E	scale
J		PRO-E		1/1
computer file number	previous number			
drawn	G GEIGER	checked	approved	
date	2/16/00	checked	approved	
type	CUSTOMER		sheet	1 of 1
number	MT2025011CST			