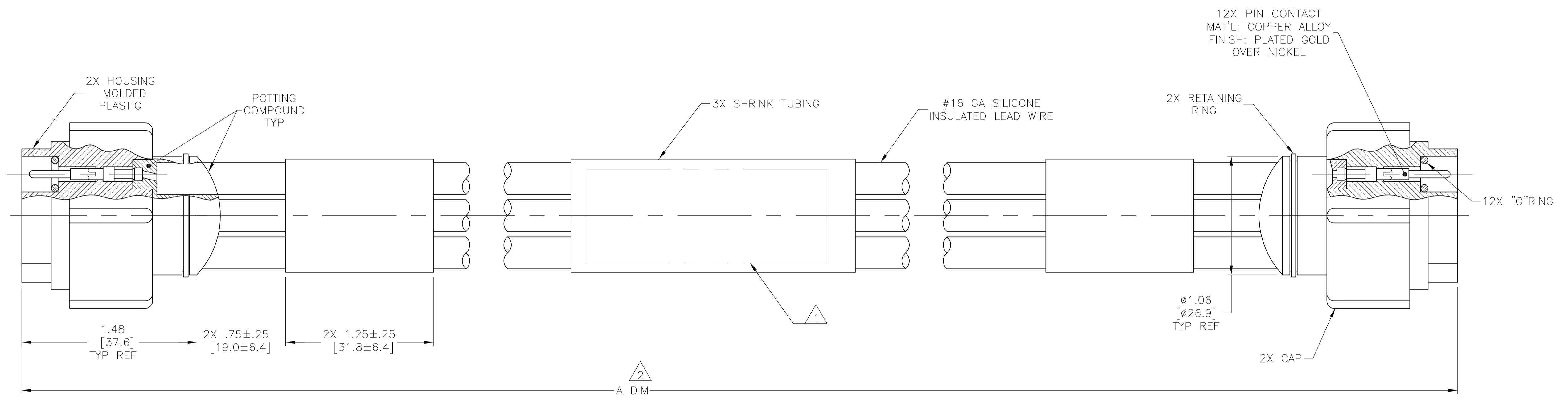
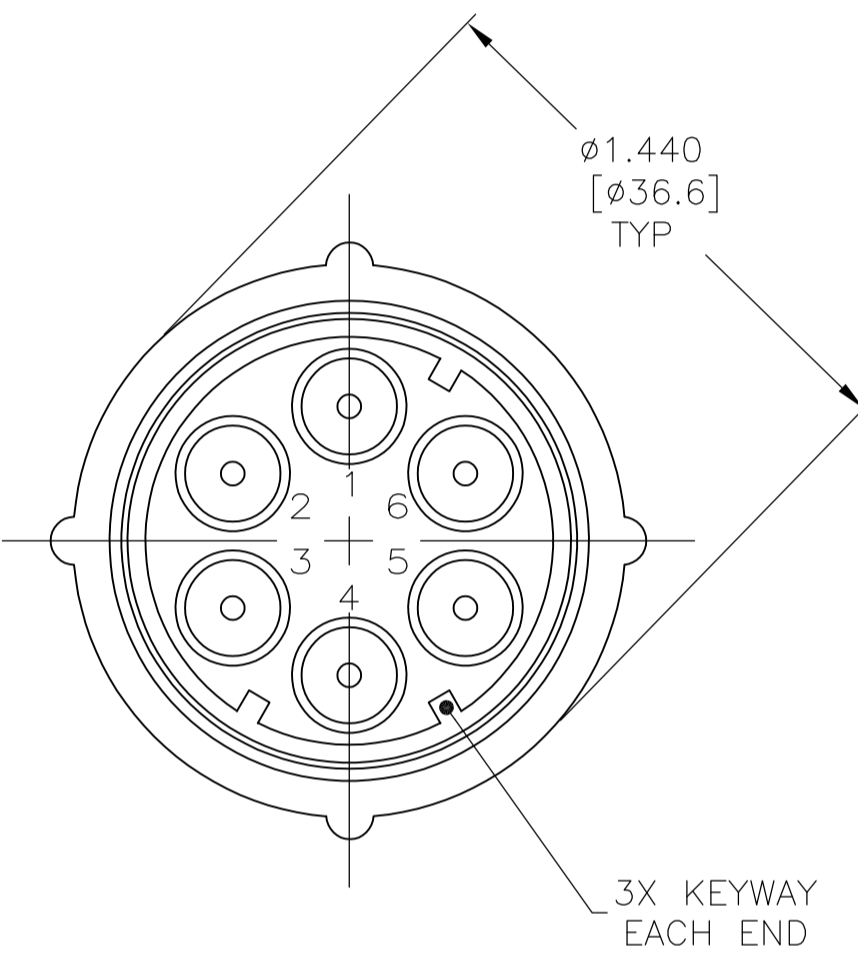


LOC		DIST		REVISIONS			
P	LTR	DESCRIPTION	DATE	DMN	APVD		
E		ECO-13-006256	16APR13	KG	DE		



P1		P2
1	BROWN	1
2	WHITE WITH YELLOW STRIPE <sup>3</sup>	2
3	GREEN	3
4	RED	4
5	BLACK	5
6	WHITE	6

- <sup>1</sup> MARKED PER MIL-STD-130
- <sup>2</sup> TOLERANCE: UP TO 24.00[609.6]=±12.00[±3.0], 24.00[609.6] & UP = ±1%
- <sup>3</sup> YELLOW WIRE IS WHITE WITH YELLOW STRIPE.

SCHEMATIC

26.00 [660.4]	864954-4
158.0 [4013.2]	864954-3
20.00 [508.0]	864954-2
21.00 [533.4]	864954-1
DIM A <sup>2</sup>	PART NO.

THIS DRAWING IS A CONTROLLED DOCUMENT. DIMENSIONING AND TOLERANCING PER ASME Y14.5M (ISO STANDARDS)		DIN C.C.THOMAS 9/14/98	TE Connectivity	
DIMENSIONS: INCHES [mm]		CHK D.FARY 9/17/98	APVD D.FARY 9/17/98	
TOLERANCES UNLESS OTHERWISE SPECIFIED:		NAME PLUG CABLE ASSY, DBL. END, 6 POSN., LGH		
0 PLC ± -	1 PLC ± -	PRODUCT SPEC		
2 PLC ± .02 [0.5]	3 PLC ± .005 [0.13]	APPLICATION SPEC		
4 PLC ± -	ANGLES ± -	SIZE A1	CAGE CODE 00779	DRAWING NO. 864954
MATERIAL SEE CALLOUTS	FINISH SEE CALLOUTS	WEIGHT -	RESTRICTED TO	
CUSTOMER DRAWING		SCALE 2:1	SHEET 1 OF 1	REV E