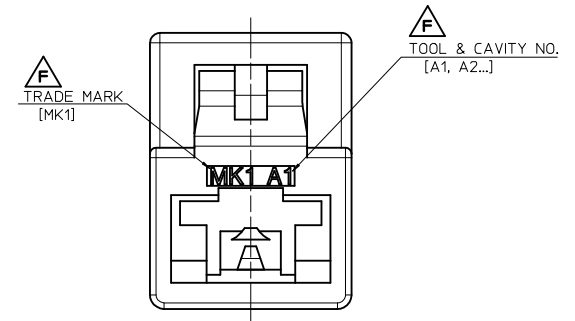
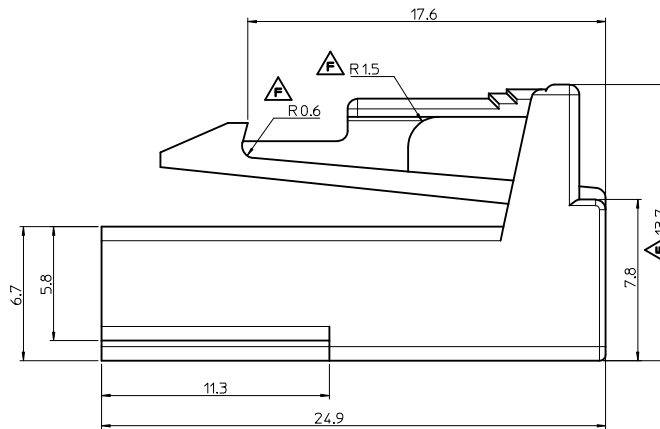
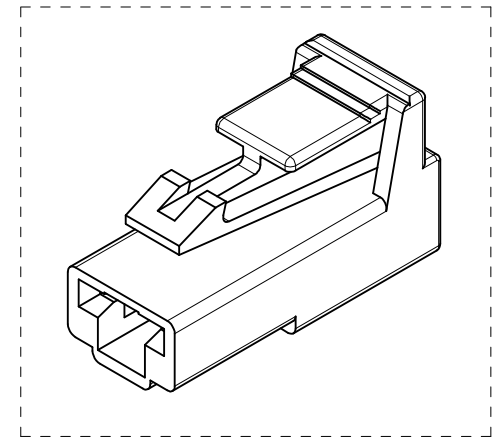


NOTES.

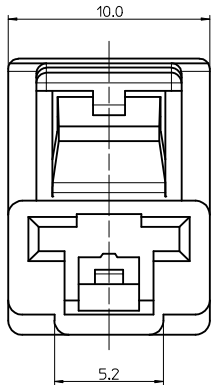
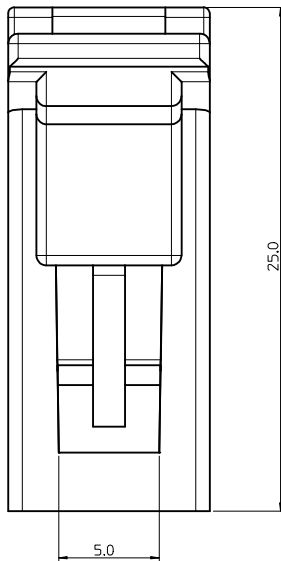
1. MATERIALS: SEE TABLE
2. PRODUCT SPECIFICATION: PS-35955-001
3. PACKAGING SPECIFICATION: PK-35955-001
4. MATES WITH
 - MALE HOUSING : 35955-0150, 35955-0151
5. APPLICABLE CRIMPING TERMINAL : 35725-36*0, 35725-37*0, 35725-38*0
6. MOLEX LOGO & CAVITY NUMBER SHALL BE LOCATED AS SHOWN.

<TABLE>

PART NO.	MATERIAL NO.	MATERIALS	COLOR
35955-0160	359550160	PC/PET, UL94V-0, 0% GLASS FILL	NATURAL
35955-0161	359550161	PC/PET, UL94V-0, 0% GLASS FILL	BLACK



REVISED EC NO: KOR2015-0001 DRWN:SKCHO 2014/07/29 CHKD:SHCHU 2014/07/29 APPR:YSKIM02 2014/09/01	DESCRIPTION REV	QUALITY SYMBOLS	GENERAL TOLERANCES (UNLESS SPECIFIED)	DIMENSION STYLE	SCALE	DESIGN UNITS	THIRD ANGLE PROJECTION																																		
		$\nabla=0$ $\sphericalcap=0$	<table border="1"> <thead> <tr> <th></th> <th>mm</th> <th>INCH</th> </tr> </thead> <tbody> <tr> <td>4 PLACES</td> <td>± ---</td> <td>± ---</td> </tr> <tr> <td>3 PLACES</td> <td>± ---</td> <td>± ---</td> </tr> <tr> <td>2 PLACES</td> <td>± 0.30</td> <td>± ---</td> </tr> <tr> <td>1 PLACE</td> <td>± 0.30</td> <td>± ---</td> </tr> <tr> <td>0 PLACE</td> <td>± ---</td> <td>± ---</td> </tr> </tbody> </table>		mm	INCH	4 PLACES	± ---	± ---	3 PLACES	± ---	± ---	2 PLACES	± 0.30	± ---	1 PLACE	± 0.30	± ---	0 PLACE	± ---	± ---	MM ONLY	4/1	METRIC																	
			mm	INCH																																					
		4 PLACES	± ---	± ---																																					
3 PLACES	± ---	± ---																																							
2 PLACES	± 0.30	± ---																																							
1 PLACE	± 0.30	± ---																																							
0 PLACE	± ---	± ---																																							
<table border="1"> <thead> <tr> <th></th> <th>mm</th> <th>INCH</th> </tr> </thead> <tbody> <tr> <td>4 PLACES</td> <td>± ---</td> <td>± ---</td> </tr> <tr> <td>3 PLACES</td> <td>± ---</td> <td>± ---</td> </tr> <tr> <td>2 PLACES</td> <td>± 0.30</td> <td>± ---</td> </tr> <tr> <td>1 PLACE</td> <td>± 0.30</td> <td>± ---</td> </tr> <tr> <td>0 PLACE</td> <td>± ---</td> <td>± ---</td> </tr> </tbody> </table>		mm	INCH	4 PLACES	± ---	± ---	3 PLACES	± ---	± ---	2 PLACES	± 0.30	± ---	1 PLACE	± 0.30	± ---	0 PLACE	± ---	± ---	<table border="1"> <thead> <tr> <th>DRAWN BY</th> <th>DATE</th> <th>TITLE</th> </tr> </thead> <tbody> <tr> <td>JS.KANG</td> <td>1999/08/16</td> <td rowspan="4">.250 WTW CONN. PLUG HOUSING -1P</td> </tr> <tr> <td>CHECKED BY</td> <td>DATE</td> </tr> <tr> <td>BK.CHOI</td> <td>1999/08/16</td> </tr> <tr> <td>APPROVED BY</td> <td>DATE</td> </tr> <tr> <td>CW.LEE</td> <td>1999/08/16</td> <td></td> </tr> </tbody> </table>	DRAWN BY	DATE	TITLE	JS.KANG	1999/08/16	.250 WTW CONN. PLUG HOUSING -1P	CHECKED BY	DATE	BK.CHOI	1999/08/16	APPROVED BY	DATE	CW.LEE	1999/08/16		<table border="1"> <thead> <tr> <th>MATERIAL NO.</th> <th>DOCUMENT NO.</th> <th>SHEET NO.</th> </tr> </thead> <tbody> <tr> <td>SEE TABLE</td> <td>SD-35955-001</td> <td>1 OF 1</td> </tr> </tbody> </table>	MATERIAL NO.	DOCUMENT NO.	SHEET NO.	SEE TABLE	SD-35955-001	1 OF 1
	mm	INCH																																							
4 PLACES	± ---	± ---																																							
3 PLACES	± ---	± ---																																							
2 PLACES	± 0.30	± ---																																							
1 PLACE	± 0.30	± ---																																							
0 PLACE	± ---	± ---																																							
DRAWN BY	DATE	TITLE																																							
JS.KANG	1999/08/16	.250 WTW CONN. PLUG HOUSING -1P																																							
CHECKED BY	DATE																																								
BK.CHOI	1999/08/16																																								
APPROVED BY	DATE																																								
CW.LEE	1999/08/16																																								
MATERIAL NO.	DOCUMENT NO.	SHEET NO.																																							
SEE TABLE	SD-35955-001	1 OF 1																																							
DRAFT WHERE APPLICABLE MUST REMAIN WITHIN DIMENSIONS			THIS DRAWING CONTAINS INFORMATION THAT IS PROPRIETARY TO MOLEX INCORPORATED AND SHOULD NOT BE USED WITHOUT WRITTEN PERMISSION																																						

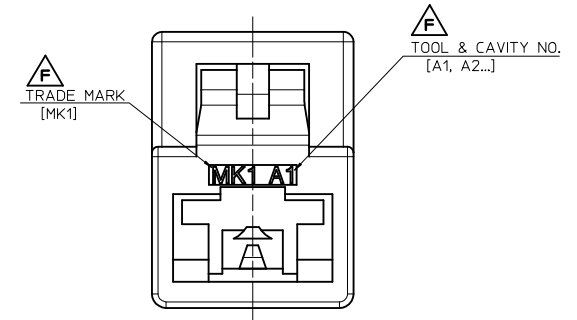
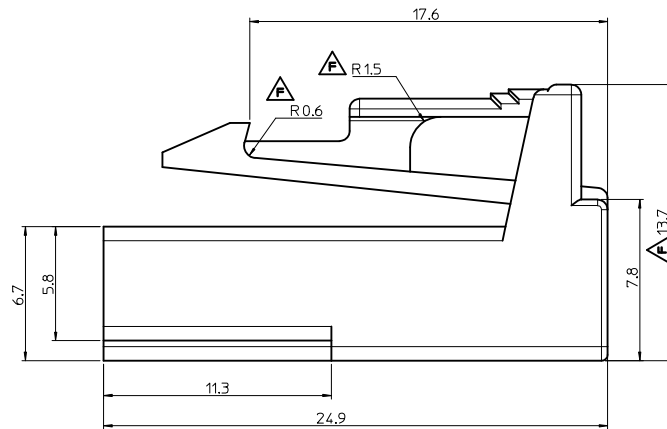
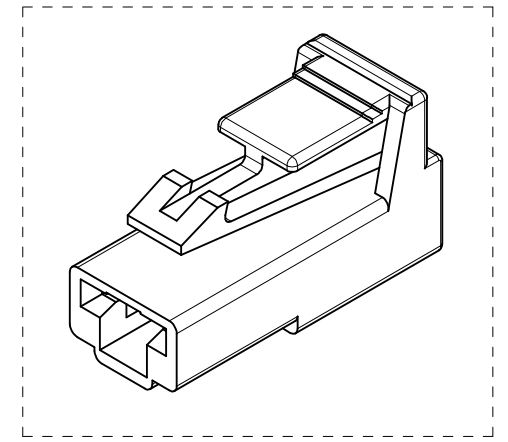


NOTES.

1. MATERIALS: SEE TABLE
2. PRODUCT SPECIFICATION: PS-35955-001
3. PACKAGING SPECIFICATION: PK-35955-001
4. MATES WITH
 - MALE HOUSING : 35955-0150, 35955-0151
5. APPLICABLE CRIMPING TERMINAL : 35725-36*0, 35725-37*0, 35725-38*0
6. MOLEX LOGO & CAVITY NUMBER SHALL BE LOCATED AS SHOWN.

<TABLE>

PART NO.	MATERIAL NO.	MATERIALS	COLOR
35955-0160	359550160	PC/PET, UL94V-0, 0% GLASS FILL	NATURAL
35955-0161	359550161	PC/PET, UL94V-0, 0% GLASS FILL	BLACK



REVISED EC NO: KOR2015-0001 DRWN:SKCHO 2014/07/29 CHKD:SHCHU 2014/07/29 APPR:YSKIM02 2014/09/01	DESCRIPTION REV	QUALITY SYMBOLS	GENERAL TOLERANCES (UNLESS SPECIFIED)	DIMENSION STYLE	SCALE	DESIGN UNITS	THIRD ANGLE PROJECTION																		
		$\nabla=0$ $\sphericalcap=0$	<table border="1"> <thead> <tr> <th></th> <th>mm</th> <th>INCH</th> </tr> </thead> <tbody> <tr> <td>4 PLACES</td> <td>± ---</td> <td>± ---</td> </tr> <tr> <td>3 PLACES</td> <td>± ---</td> <td>± ---</td> </tr> <tr> <td>2 PLACES</td> <td>± 0.30</td> <td>± ---</td> </tr> <tr> <td>1 PLACE</td> <td>± 0.30</td> <td>± ---</td> </tr> <tr> <td>0 PLACE</td> <td>± ---</td> <td>± ---</td> </tr> </tbody> </table>		mm	INCH	4 PLACES	± ---	± ---	3 PLACES	± ---	± ---	2 PLACES	± 0.30	± ---	1 PLACE	± 0.30	± ---	0 PLACE	± ---	± ---	MM ONLY	4/1	METRIC	
			mm	INCH																					
		4 PLACES	± ---	± ---																					
3 PLACES	± ---	± ---																							
2 PLACES	± 0.30	± ---																							
1 PLACE	± 0.30	± ---																							
0 PLACE	± ---	± ---																							
ANGULAR ± 1 ° DRAFT WHERE APPLICABLE MUST REMAIN WITHIN DIMENSIONS	<table border="1"> <thead> <tr> <th>DRAWN BY</th> <th>DATE</th> <th>TITLE</th> </tr> </thead> <tbody> <tr> <td>JS.KANG</td> <td>1999/08/16</td> <td rowspan="4">.250 WTW CONN. PLUG HOUSING -1P</td> </tr> <tr> <td>CHECKED BY</td> <td>DATE</td> </tr> <tr> <td>BK.CHOI</td> <td>1999/08/16</td> </tr> <tr> <td>APPROVED BY</td> <td>DATE</td> </tr> <tr> <td>CW.LEE</td> <td>1999/08/16</td> <td></td> </tr> </tbody> </table>	DRAWN BY	DATE	TITLE	JS.KANG	1999/08/16	.250 WTW CONN. PLUG HOUSING -1P	CHECKED BY	DATE	BK.CHOI	1999/08/16	APPROVED BY	DATE	CW.LEE	1999/08/16		<table border="1"> <tr> <td>MATERIAL NO.</td> <td>DOCUMENT NO.</td> <td>SHEET NO.</td> </tr> <tr> <td>SEE TABLE</td> <td>SD-35955-001</td> <td>1 OF 1</td> </tr> </table>	MATERIAL NO.	DOCUMENT NO.	SHEET NO.	SEE TABLE	SD-35955-001	1 OF 1		
DRAWN BY	DATE	TITLE																							
JS.KANG	1999/08/16	.250 WTW CONN. PLUG HOUSING -1P																							
CHECKED BY	DATE																								
BK.CHOI	1999/08/16																								
APPROVED BY	DATE																								
CW.LEE	1999/08/16																								
MATERIAL NO.	DOCUMENT NO.	SHEET NO.																							
SEE TABLE	SD-35955-001	1 OF 1																							
SIZE A3 THIS DRAWING CONTAINS INFORMATION THAT IS PROPRIETARY TO MOLEX INCORPORATED AND SHOULD NOT BE USED WITHOUT WRITTEN PERMISSION																									