

# High Frequency Ceramic Solutions

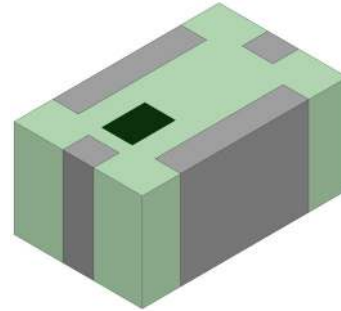
UWB Band Pass Filter, EIA 0805, High Rejection, AEC-Q200 Qualified

P/N 7240BP15B2000E-AEC

Detail Specification: 4/29/2020

Page 1 of 4

General Specifications	
Part Number	7240BP15B2000E-AEC
Frequency (MHz)	6240 - 8240
Impedance (Ohm)	50
Insertion Loss (dB)	1.8 typ. (2.5 max.)
Return Loss (dB)	11 typ. (10 min.)
Group Delay (ns)	0.8 typ. (3.0 max.)
Group Delay Ripple (ns)	0.5 typ. (1.0 max.)
Power Capacity	3W max. (CW)



Frequency (MHz)	Attenuation (dB)	Operating Temperature	Operating Temperature
DC - 5200	38 typ. (35 min.)	Recommended Storage Conditions and Period for unused T&R Product	-40 to +105°C
2400 - 2500	43 typ. (35 min.)		+5 to +35°C
5200 - 5860	19 typ. (15 min.)		45 to 75%RH
9000 - 9500	28 typ. (10 min.)	Reel Quantity	18 months max.
9500 - 18000	32 typ. (30 min.)		4,000

P/N Suffix	Packing Style	Bulk	Suffix = S	eg. 7240BP15B2000S-AEC
		T & R	Suffix = E	eg. 7240BP15B2000E-AEC
Evaluation Board		7240BP15B2000-EB1SMA (2 Female SMA connectors 50Ω)		

For more band-pass filters, go to: <https://www.johansontechnology.com/band-pass-filters>

Mechanical Specifications		
	In	mm
L	0.079 ± 0.006	2.00 ± 0.15
W	0.049 ± 0.004	1.25 ± 0.10
T	0.037 ± 0.004	0.95 ± 0.10
a	0.049 ± 0.006	1.25 ± 0.15
b	0.012 ± 0.006	0.30 ± 0.15
c	0.010 ± 0.006	0.25 ± 0.15
d	0.014 ± 0.006	0.35 ± 0.15

Want the mechanical model or layout file of the above? Send us a message at: <https://www.johansontechnology.com/ask-a-question>

Terminal Configuration			
No.	Function	No.	Function
1	GND	3	GND
2	IN/OUT	4	IN/OUT

If you would like the measured s-parameters, contact us at:

<https://www.johansontechnology.com/ask-a-question>

Johanson Technology, Inc. reserves the right to make design changes without notice.

All sales are subject to Johanson Technology, Inc. terms and conditions.



<https://www.johansontechnology.com>

4001 Calle Tecate • Camarillo, CA 93012 • TEL 805.389.1166 FAX 805.389.1821

Ver. 1.0

2020 Johanson Technology, Inc. All Rights Reserved

# High Frequency Ceramic Solutions

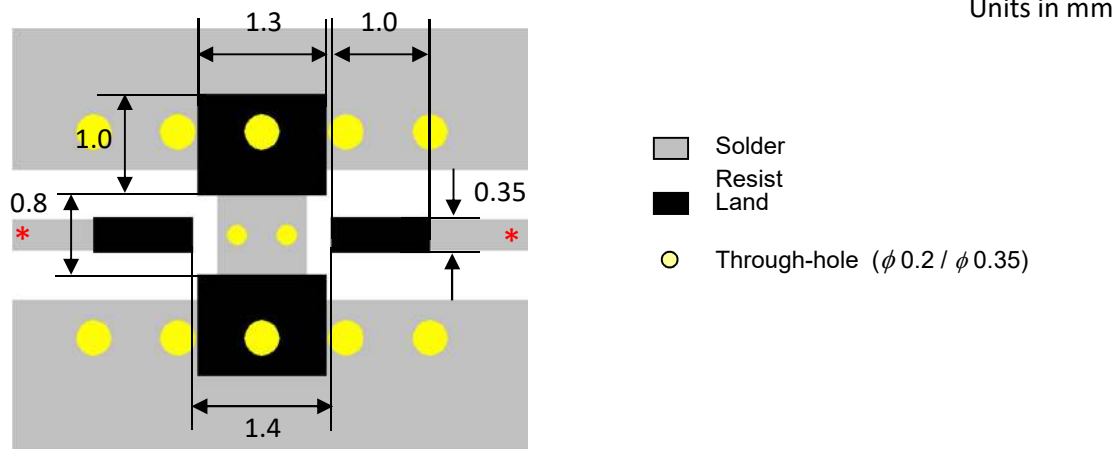
UWB Band Pass Filter, EIA 0805, High Rejection, AEC-Q200 Qualified

P/N 7240BP15B2000E-AEC

Detail Specification: 4/29/2020

Page 2 of 4

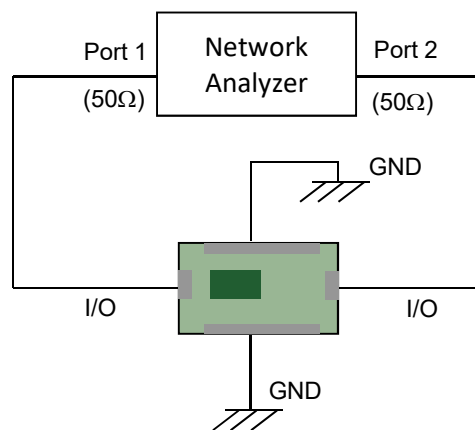
## Mounting Considerations



\* Line width should be designed to match 50  $\Omega$  characteristic impedance, depending on PCB material and thickness.

Want the layout file of the above? Send us a message at: <https://www.johansontechnology.com/ask-a-question>

## Measuring Diagram



Johanson Technology, Inc. reserves the right to make design changes without notice.  
All sales are subject to Johanson Technology, Inc. terms and conditions.



<https://www.johansontechnology.com>

4001 Calle Tecate • Camarillo, CA 93012 • TEL 805.389.1166 FAX 805.389.1821

Ver. 1.0

2020 Johanson Technology, Inc. All Rights Reserved

# High Frequency Ceramic Solutions

UWB Band Pass Filter, EIA 0805, High Rejection, AEC-Q200 Qualified

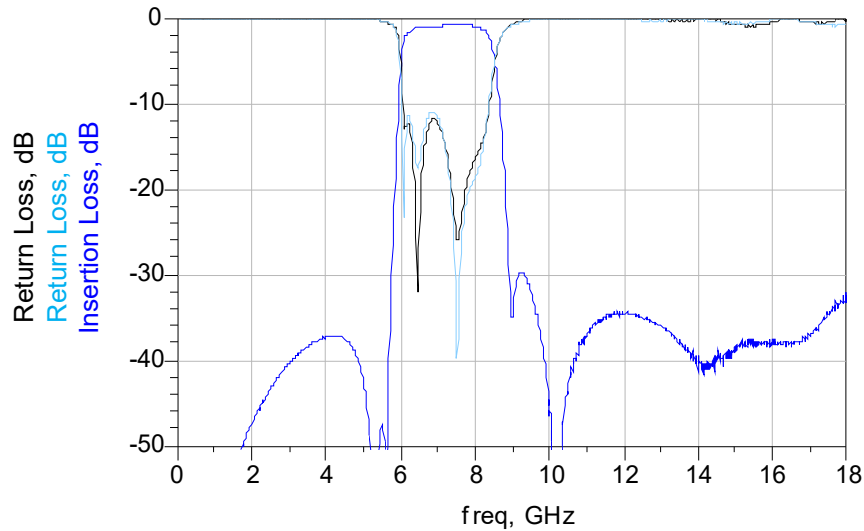
P/N 7240BP15B2000E-AEC

Detail Specification: 4/29/2020

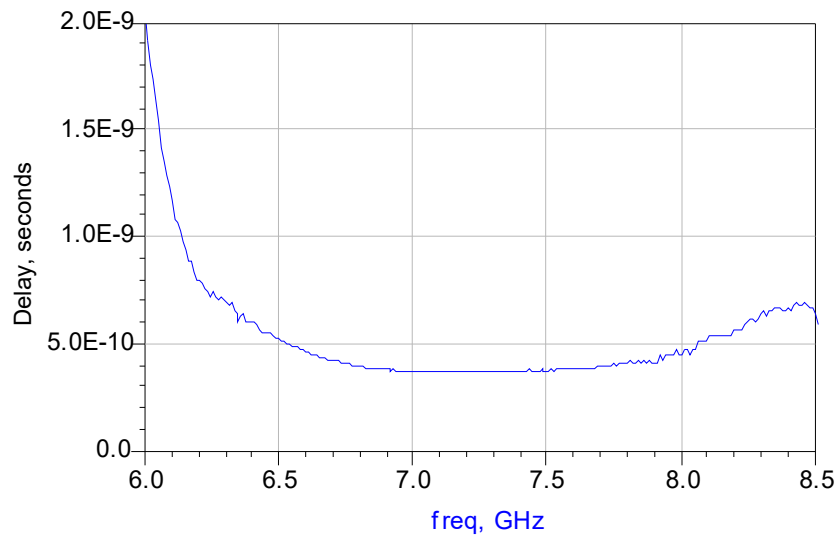
Page 3 of 4

## Typical Electrical Characteristics (T=25°C)

### Insertion Loss, Return Loss, Harmonic Attenuation



### Group Delay



Johanson Technology, Inc. reserves the right to make design changes without notice.  
All sales are subject to Johanson Technology, Inc. terms and conditions.



<https://www.johansontechnology.com>

4001 Calle Tecate • Camarillo, CA 93012 • TEL 805.389.1166 FAX 805.389.1821

Ver. 1.0

2020 Johanson Technology, Inc. All Rights Reserved

# High Frequency Ceramic Solutions

UWB Band Pass Filter, EIA 0805, High Rejection, AEC-Q200 Qualified  
Detail Specification: 4/29/2020

P/N 7240BP15B2000E-AEC  
Page 4 of 4

## More BPF info such as measured s-parameters and ordering details at:

<https://www.johansontechnology.com/band-pass-filters>

## UWB mini embedded Antennas

<https://www.johansontechnology.com/antennas>

## Soldering Information

<https://www.johansontechnology.com/ipcsoldering-profile>

## MSL Info

<https://www.johansontechnology.com/msl-rating>

## Recommended Storage Condition and Max Shelf Life

<https://www.johansontechnology.com/recommended-storage-conditions>

## RoHS Compliance

<https://www.johansontechnology.com/rohs-compliance>

## Layout review services

<https://www.johansontechnology.com/ask-a-question>

## Antenna layout review, tuning, and characterization services

<https://www.johansontechnology.com/ipc-antenna-services>

## Packaging information

<https://www.johansontechnology.com/tape-reel-packaging>

Johanson Technology, Inc. reserves the right to make design changes without notice.  
All sales are subject to Johanson Technology, Inc. terms and conditions.



<https://www.johansontechnology.com>  
4001 Calle Tecate • Camarillo, CA 93012 • TEL 805.389.1166 FAX 805.389.1821  
Ver. 1.0 2020 Johanson Technology, Inc. All Rights Reserved