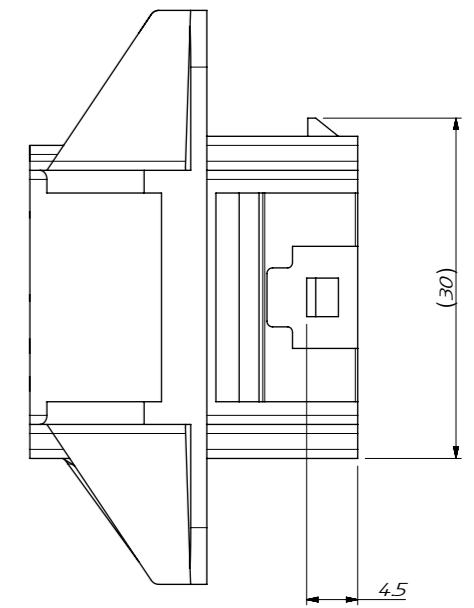
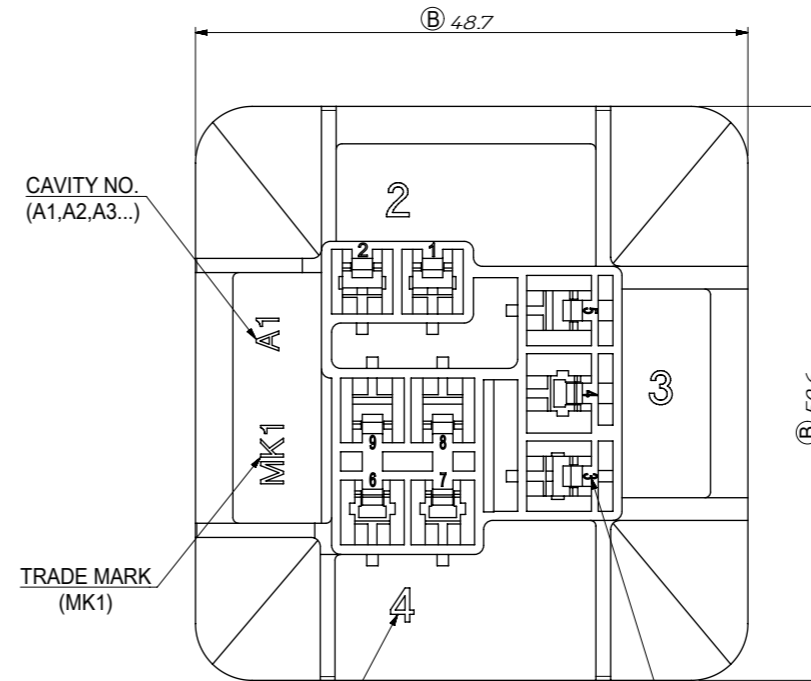
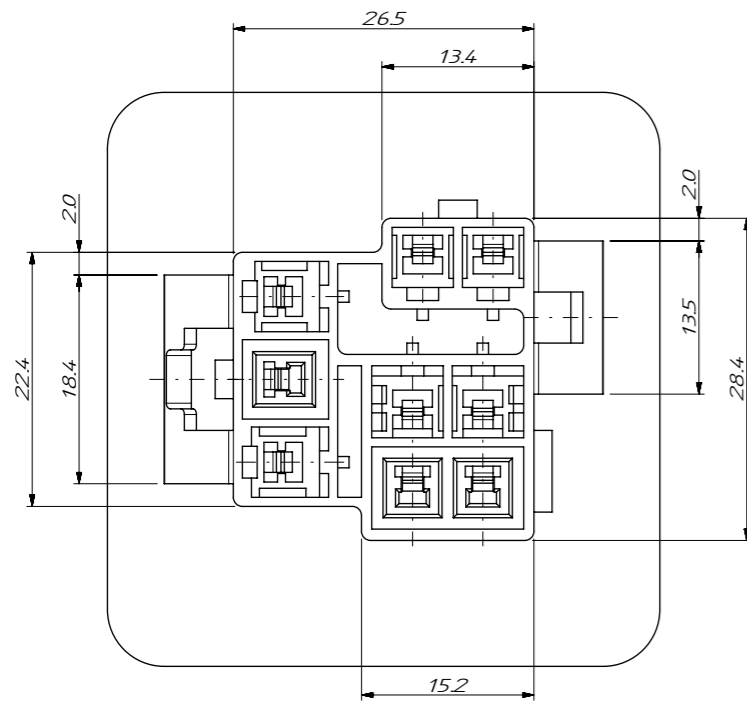


RECOMMENDED PANNEL DIMENSION
 PANNEL(CHASSIS) THICKNESS : 1.5mm
 (GENERAL TOLETANVE : ± 0.1mm)



CAVITY NO.
(A1,A2,A3...)

TRADE MARK
(MK1)

2 3
MATED HSG & TPA
LOCATION MARKS (2,3,4)

4
CIRCUIT NO. (1,2,3...)
FOR APPLICABLE TERMINAL

NOTES.

1. MATERIAL : PET/PC, UL94V-0, UNFILLED G/F, COLOR : NATURAL
 GLOW WIRE CAPABLE HAVING AN IEC GWIT RATING OF 760 DEGREEE C FOR THIS PRODUCT
2. MATED HOUSING : 35151-021**219 (FOR 2CIRCUIT HOUSING)
 35151-031**319 (FOR 3CIRCUIT HOUSING)
 35151-041**419 (FOR 4CIRCUIT HOUSING)
 MATED HOUSING ARE TO BE MATED ACCORDING TO LOCATION MARKS
3. MATED T.P.A. : 35150-029* (2CIRCUIT TPA FOR 2 AND 4CIRCUIT HOUSING)
 35150-039* (3CIRCUITS TPA FOR 3CRICUIT HOUSING)
 MATED TPA ARE TO BE MATED ACCORDING TO LOCATION MARKS.
 (LOCATION MARK 4, 2X2CIRCUIT TPA ARE MATING)
4. APPLICABLE TERMINAL : 35745-0*10 (1,2,3 CIRCUIT)
 35746-0*10 (4,6,7 CIRCUIT)
 35747-0*10 (5,8,9 CIRCUIT)
 APPLICABLE TERMINAL ARE TO BE INSERTED ACCORDING TO CRICUIT NO.
5. CONNECTORS ARE NOT TO BE MATED OR UNMATED WHILE CIRCUITS ARE LIVE.

SYMBOLS	THIS DRAWING CONTAINS INFORMATION THAT IS PROPRIETARY TO MOLEX ELECTRONIC TECHNOLOGIES, LLC AND SHOULD NOT BE USED WITHOUT WRITTEN PERMISSION		CURRENT REV DESC:		molex
	DIMENSION UNITS	SCALE			
▽ = 0	mm	1.5:1			.070 MULTI W-T-W CONN. RECEPTACLE HOUSING -9P FULL FLANGE TYPE
▽ = 0	GENERAL TOLERANCES (UNLESS SPECIFIED)				PRODUCT CUSTOMER DRAWING
▽ = 0	ANGULAR TOL ± 3.0°				
▽ = 0	4 PLACES ±		EC NO: 616990	2019/03/19	DOCUMENT NUMBER 2026500909
▽ = 0	3 PLACES ±		DRWN: SCHONG03	2019/05/10	
▽ = 0	2 PLACES ± 0.25		CHK'D: JBJIN	2019/05/10	DOC TYPE PSD
▽ = 0	1 PLACE ± 0.35		APPR: JBJIN		DOC PART 000
▽ = 0	0 PLACES ±		INITIAL REVISION:		REVISION B
□ = 0	DRAFT WHERE APPLICABLE MUST REMAIN WITHIN DIMENSIONS		DRWN: JSSHIN	2018/06/21	MATERIAL NUMBER 2026500909
□ = 0			APPR: SHCHU	2018/08/31	
		THIRD ANGLE PROJECTION	DRAWING	SERIES	CUSTOMER
			A3-SIZE	202650	GENERAL MARKET
					SHEET NUMBER 1 OF 1

DOCUMENT STATUS	RELEASE DATE
-----------------	--------------