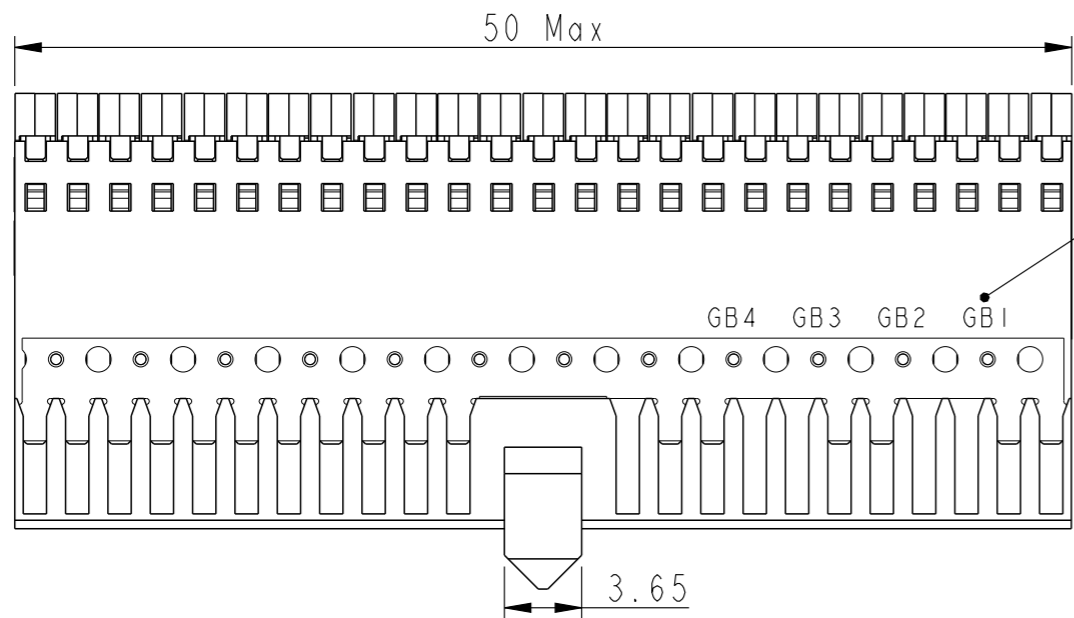
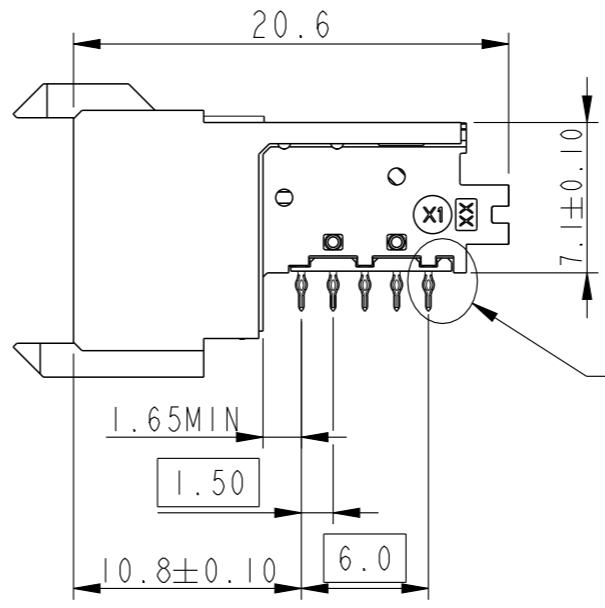
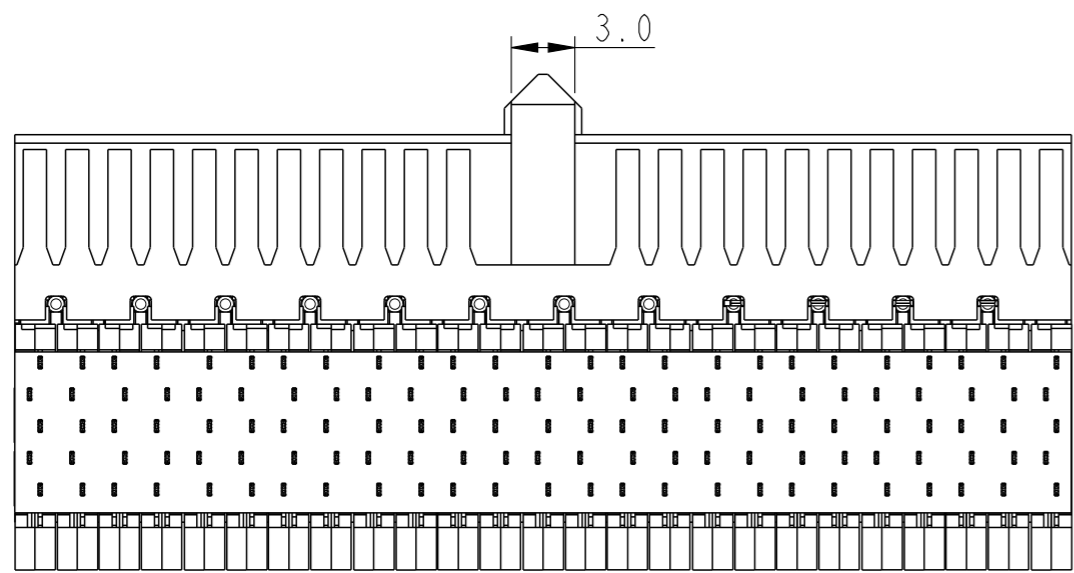
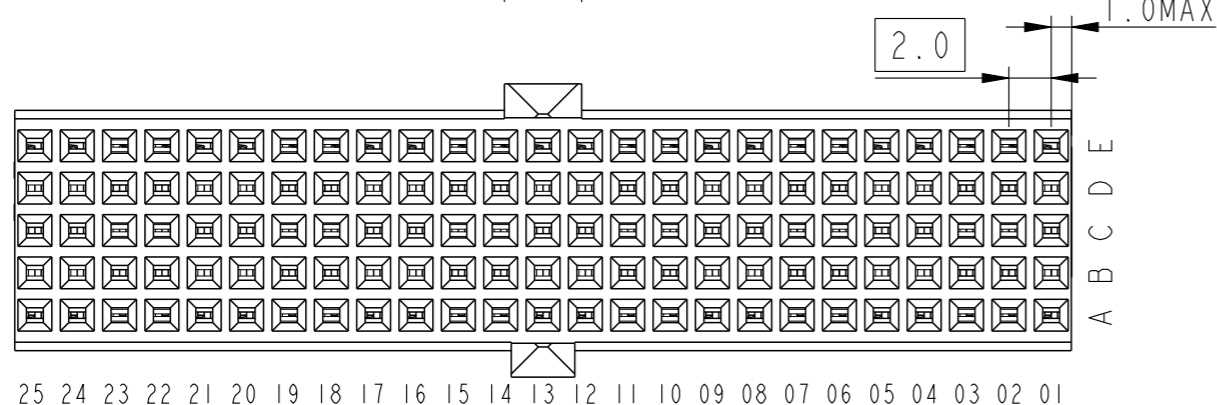


PART NUMBER	GRNDBAR 1 POS	GRNDBAR 2 POS	GRNDBAR 3 POS	GRNDBAR 4 POS
10137566-101LF	2A, 3B, 2C, 3D, 2E	5A, 4B, 5C, 4D, 5E	6A, 7B, 6C, 7D, 6E	8B, 8D

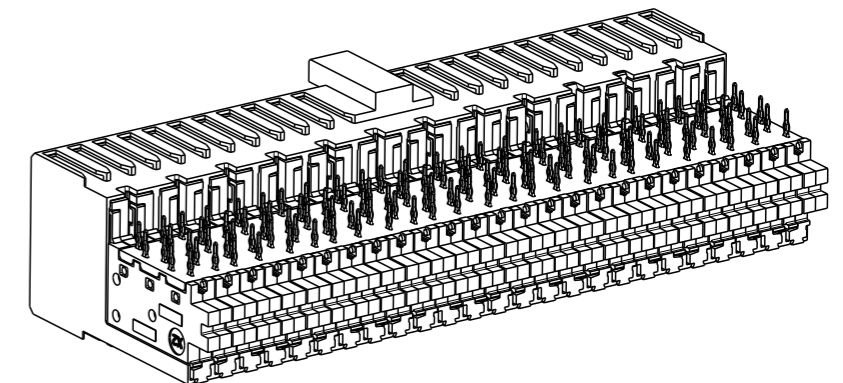
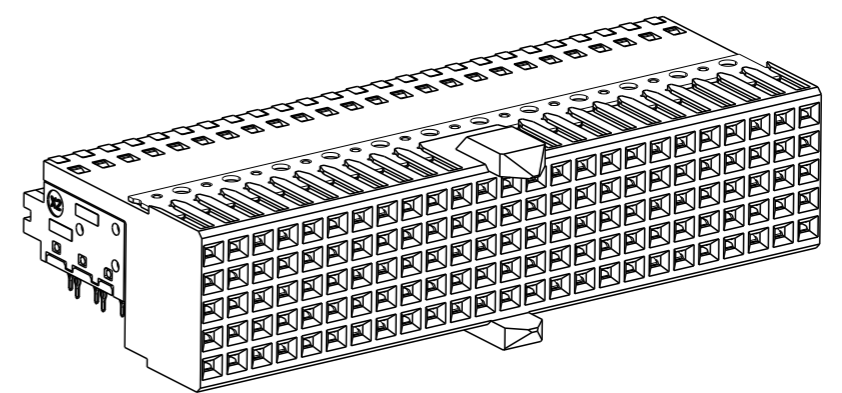
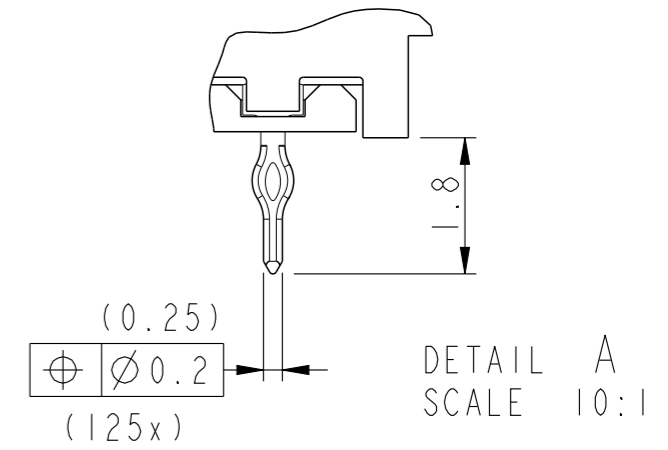
TABLE SHOWS CONNECTED GROUND POSITIONS OF INDIVIDUAL GROUNDBARS



NOTE 6



SEE DETAIL A



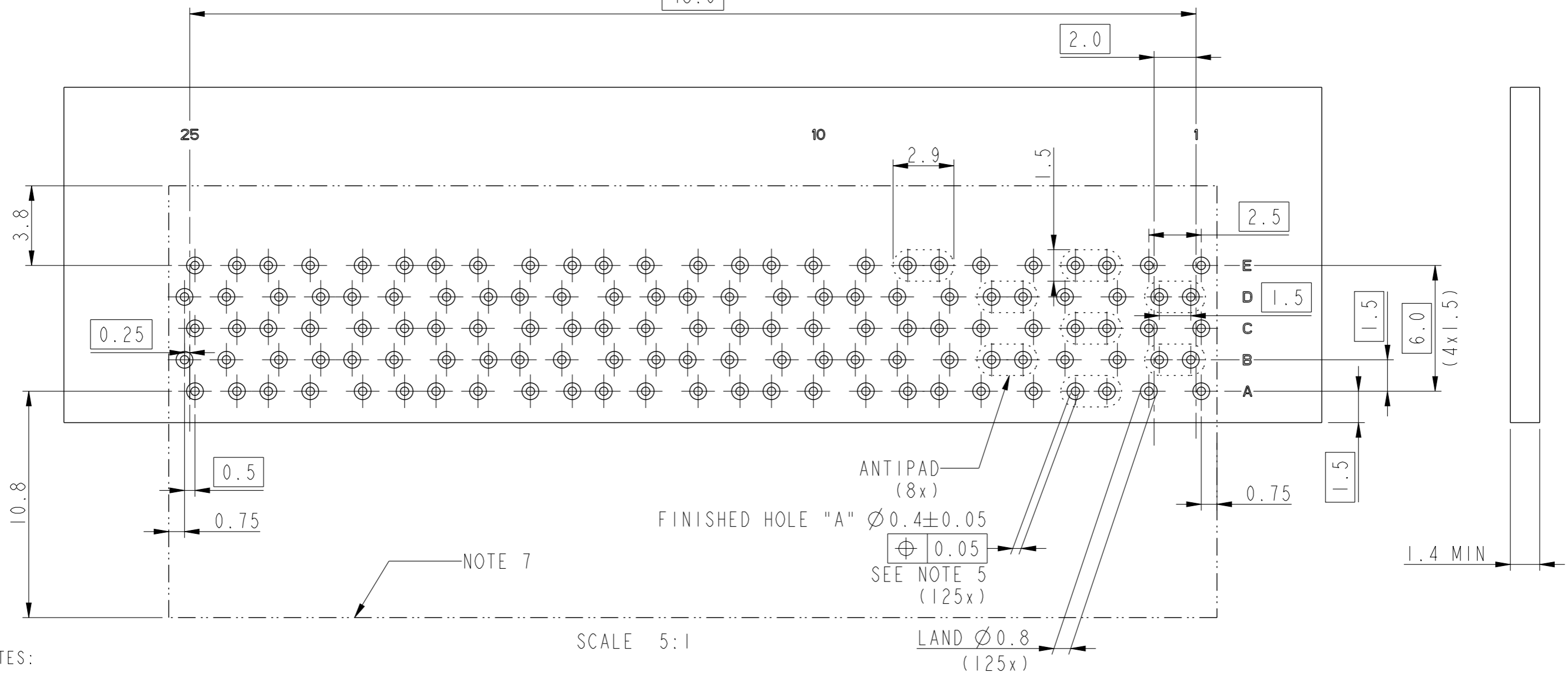
Amphenol FCI

© 2016 AFCI

spec ref	-	dr	Binesh C	2016/02/24	projection	MM	size	A3	scale	2:1	
tolerance std	ISO 406 ISO 1101	eng	Binesh C	2016/05/13			ecn no	ELX-I-24089-1			
surface	linear	chr	-	apppr			K-Paul Biju	2016/05/13	product family	MILLIPACS	rel level
							dwg no	10137566		rev	B
					TYPE AB RA RECEPTACLE MILLIPACS HS		cat. no.	10137566-10xLF	Product - Customer Drw	sheet 1 of 2	

PART NUMBER:  
RECOMMENDED PCB LAYOUT FOR 10137566-10ILF

48.0



NOTES:

- Materials
  - Housing, Imla's & Imla Aligner : LCP (UL94 V-0)
  - Leadframe: Copper alloy
- Finish
  - Contact area: Ni underlayer with Au or GXT top layer
  - EON area: Ni underlayer with Sn top layer
- Mates with IEC 61076-4-101 series 2mm HM headers with contact mating level 1 & 2 in signal rows. Outer row of receptacle can assemble with level 1,2 & 3 header contacts.
- Mounting style: Press-fit, flat rock insertion
- Refer the table for Recommended plated through hole dimensions.
- Groundbar positions indicated by "GBx".
- Connector spacing

RECOMMENDED PLATED THROUGH HOLE DIMENSIONS

DIM	FINISHED HOLE DIA	Cu. THICKNESS	Sn THICKNESS	DRILLED HOLE DIA
A	0.35-0.45	0.02-0.05	0.0008-0.0012	0.45-0.49

spec ref	-	dr	Binesh C	2016/02/24	projection	MM	size	A3	scale	1:1
tolerance std	ISO 406 ISO 1101	eng	Binesh C	2016/05/13			ecn no		ELX-I-24089-1	
TOLERANCES UNLESS OTHERWISE SPECIFIED		chr	-	-			rel level		Released	
surface	linear	appr	K-Paul Biju	2016/05/13	product family		MILLIPACS		TYPE AB RA RECEPTACLE	
							dwg no		10137566	
									rev	
									B	
									cat. no. 10137566-10xLF	
									Product - Customer Drw	
									sheet 2 of 2	

Amphenol FCI

© 2016 AFCI