



# LVECL/LVPECL 1:15 Differential Divide-by-1/Divide-by-2 Clock Driver

MAX9322

## General Description

The MAX9322 low-skew 1:15 differential clock driver reproduces or divides one of two differential input clocks at 15 differential outputs. An input multiplexer selects from one of two input clocks with input switching frequency in excess of 1.0GHz. The 15 outputs are arranged in four banks with 2, 3, 4, and 6 outputs, respectively. Each output bank is individually programmable to provide a divide-by-1 or divide-by-2 frequency function.

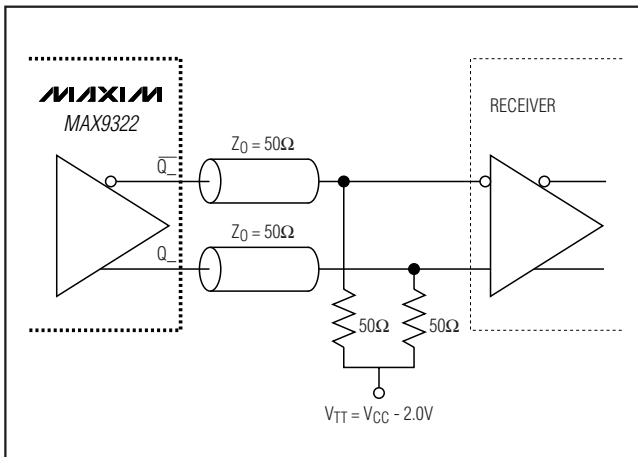
The MAX9322 operates in LVPECL systems with a +2.375V to +3.8V supply or in LVECL systems with a -2.375V to -3.8V supply. A V<sub>BB</sub> reference output provides compatibility with single-ended clock input signals and a master reset input provides a simultaneous reset on all outputs.

The MAX9322 is available in 52-pin TQFP and 68-pin QFN packages and is specified for operation over -40°C to +85°C. For 1:10 clock drivers, refer to the MAX9311/MAX9313 data sheet. For 1:5 clock drivers, refer to the MAX9316 data sheet.

## Applications

- Precision Clock Distribution
- Low-Jitter Data Repeaters
- Central-Office Backplane Clock Distribution
- DSLAM Backplane
- Base Stations
- ATE

## Typical Operating Circuit



## Features

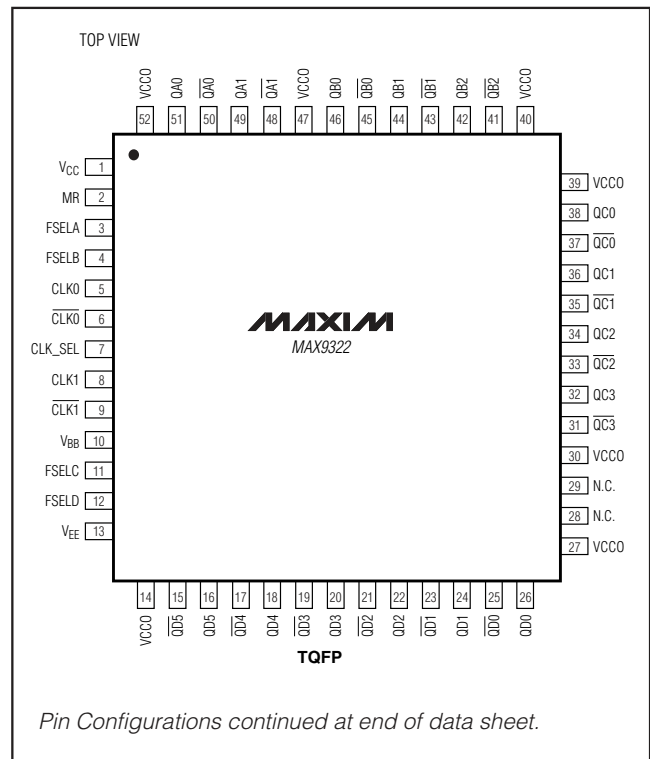
- ◆ 1.2ps (RMS) Maximum Random Jitter
- ◆ 300mV Differential Output at 1.0GHz
- ◆ 900ps Propagation Delay
- ◆ Selectable Divide-by-1 or Divide-by-2 Frequency Outputs
- ◆ Multiplexed 2:1 Input Function
- ◆ LVECL Operation from V<sub>EE</sub> = -2.375V to -3.8V
- ◆ LVPECL Operation from V<sub>CC</sub> = +2.375V to +3.8V
- ◆ ESD Protection: > 2kV Human Body Model

## Ordering Information

PART	TEMP RANGE	PIN-PACKAGE
MAX9322ECY	-40°C to +85°C	52 TQFP
MAX9322ETK*	-40°C to +85°C	68 QFN

\*Future product—contact factory for availability.

## Pin Configurations



Pin Configurations continued at end of data sheet.



For pricing, delivery, and ordering information, please contact Maxim/Dallas Direct! at 1-888-629-4642, or visit Maxim's website at [www.maxim-ic.com](http://www.maxim-ic.com).

# LVECL/LVPECL 1:15 Differential Divide-by-1/Divide-by-2 Clock Driver

## ABSOLUTE MAXIMUM RATINGS

V <sub>CC</sub> to V <sub>EE</sub> .....	4.1V
Inputs and Outputs to V <sub>EE</sub> .....	-0.3V to (V <sub>CC</sub> + 0.3V)
Differential Input Magnitude.....	Lower of (V <sub>CC</sub> - V <sub>EE</sub> ) and 3V
Continuous Output Current.....	50mA
Surge Output Current.....	100mA
V <sub>BB</sub> Sink/Source Current.....	±0.65mA
Continuous Power Dissipation (T <sub>A</sub> = +70°C)	
Single-Layer PC Board	
52-Pin TQFP (derate 15.4mW/°C above +70°C).....	1230.8mW
68-Lead QFN (derate 27.8mW/°C above +70°C) ...	2222.2mW
Multilayer PC Board	
52-Pin TQFP (derate 19.1mW/°C above +70°C).....	1529.6mW
68-Lead QFN (derate 38.5mW/°C above +70°C) ...	3076.9mW
Junction-to-Ambient Thermal Resistance in Still Air	
Single-Layer PC Board	
52-Pin TQFP.....	+65°C/W
68-Lead QFN.....	+36°C/W
Multilayer PC Board	
52-Pin TQFP.....	+52.3°C/W
68-Lead QFN.....	+26°C/W

Junction-to-Ambient Thermal Resistance with 500 LFPM Airflow	
Single-Layer PC Board	
52-Pin TQFP.....	+50°C/W
68-Lead QFN.....	+27°C/W
Multilayer PC Board	
52-Pin TQFP.....	+40°C/W
68-Lead QFN.....	+20°C/W
Junction-to-Case Thermal Resistance	
52-Pin TQFP.....	+12.9°C/W
68-Lead QFN.....	+2°C/W
Operating Temperature Range.....	-40°C to +85°C
Junction Temperature.....	+150°C
Storage Temperature Range.....	-65°C to +150°C
ESD Protection	
Human Body Model (Q <sub>1</sub> _, Q <sub>2</sub> _, CLK_SEL, FSEL_, CLK_, CLK_, MR, V <sub>BB</sub> ).....	±2kV
Soldering Temperature (10s).....	+300°C

Stresses beyond those listed under "Absolute Maximum Ratings" may cause permanent damage to the device. These are stress ratings only, and functional operation of the device at these or any other conditions beyond those indicated in the operational sections of the specifications is not implied. Exposure to absolute maximum rating conditions for extended periods may affect device reliability.

## DC ELECTRICAL CHARACTERISTICS

(V<sub>CC</sub> - V<sub>EE</sub>) = 2.375V to 3.8V, outputs loaded with 50Ω ±1% to V<sub>CC</sub> - 2V; CLK\_SEL, FSEL\_ = high or low; MR = low; |V<sub>ID</sub>| = 0.095V to the lower of (V<sub>CC</sub> - V<sub>EE</sub>) and 3V. Typical values are at (V<sub>CC</sub> - V<sub>EE</sub>) = 3.3V, V<sub>IHD</sub> = V<sub>CC</sub> - 1V, V<sub>ILD</sub> = V<sub>CC</sub> - 1.5V.) (Notes 1-4)

PARAMETER	SYMBOL	CONDITIONS	-40°C			+25°C			+85°C			UNITS
			MIN	TYP	MAX	MIN	TYP	MAX	MIN	TYP	MAX	
<b>SINGLE-ENDED INPUT (MR, FSEL_, CLK_SEL)</b>												
Input High Voltage	V <sub>IH1</sub>	Figure 1	V <sub>CC</sub> - 1.155	V <sub>CC</sub> - 0.88	V <sub>CC</sub> - 1.155	V <sub>CC</sub> - 0.88	V <sub>CC</sub> - 1.155	V <sub>CC</sub> - 0.88	V			
Input Low Voltage	V <sub>IL1</sub>	Figure 1	V <sub>CC</sub> - 1.81	V <sub>CC</sub> - 1.505	V <sub>CC</sub> - 1.81	V <sub>CC</sub> - 1.505	V <sub>CC</sub> - 1.81	V <sub>CC</sub> - 1.505	V			
Input Current	I <sub>IN1</sub>	MR, FSEL_, CLK_SEL = V <sub>IL</sub> or V <sub>IH</sub>	-15	+150	-15	+150	-15	+150	μA			
<b>DIFFERENTIAL INPUT (CLK_, CLK_)</b>												
Single-Ended Input High Voltage	V <sub>IH2</sub>	Figure 1	V <sub>CC</sub> - 1.155	V <sub>CC</sub> - 0.88	V <sub>CC</sub> - 1.155	V <sub>CC</sub> - 0.88	V <sub>CC</sub> - 1.155	V <sub>CC</sub> - 0.88	V			
Single-Ended Input Low Voltage	V <sub>IL2</sub>	Figure 1	V <sub>CC</sub> - 1.81	V <sub>CC</sub> - 1.505	V <sub>CC</sub> - 1.81	V <sub>CC</sub> - 1.505	V <sub>CC</sub> - 1.81	V <sub>CC</sub> - 1.505	V			
High Voltage of Differential Input	V <sub>IHD</sub>		V <sub>EE</sub> + 1.2	V <sub>CC</sub>	V <sub>EE</sub> + 1.2	V <sub>CC</sub>	V <sub>EE</sub> + 1.2	V <sub>CC</sub>	V			
Low Voltage of Differential Input	V <sub>ILD</sub>		V <sub>EE</sub>	V <sub>CC</sub> - 0.095	V <sub>EE</sub>	V <sub>CC</sub> - 0.095	V <sub>EE</sub>	V <sub>CC</sub> - 0.095	V			

# LVECL/LVPECL 1:15 Differential Divide-by-1/Divide-by-2 Clock Driver

**MAX9322**

## DC ELECTRICAL CHARACTERISTICS (continued)

( $V_{CC} - V_{EE}$ ) = 2.375V to 3.8V, outputs loaded with  $50\Omega \pm 1\%$  to  $V_{CC} - 2V$ ; CLK\_SEL, FSEL\_ = high or low; MR = low;  $|V_{ID}| = 0.095V$  to the lower of ( $V_{CC} - V_{EE}$ ) and 3V. Typical values are at ( $V_{CC} - V_{EE}$ ) = 3.3V,  $V_{IHD} = V_{CC} - 1V$ ,  $V_{ILD} = V_{CC} - 1.5V$ .) (Notes 1–4)

PARAMETER	SYMBOL	CONDITIONS	-40°C			+25°C			+85°C			UNITS
			MIN	TYP	MAX	MIN	TYP	MAX	MIN	TYP	MAX	
Differential Input Voltage	$V_{IHD} - V_{ILD}$	For $V_{CC} - V_{EE} < 3.0V$	0.095		$V_{CC} - V_{EE}$	0.095		$V_{CC} - V_{EE}$	0.095		$V_{CC} - V_{EE}$	V
		For $V_{CC} - V_{EE} \geq 3.0V$	0.095		3.0	0.095		3.0	0.095		3.0	
Input Current	$I_{IN2}$	CLK_, $\overline{CLK}_$ = $V_{IHD}$ or $V_{ILD}$	-150		+150	-150		+150	-150		+150	$\mu A$
<b>OUTPUTS (<math>Q_</math>, <math>\overline{Q}_</math>)</b>												
Single-Ended Output High Voltage	$V_{OH}$	Figure 1	$V_{CC} - 1.085$		$V_{CC} - 0.880$	$V_{CC} - 1.025$		$V_{CC} - 0.880$	$V_{CC} - 1.025$		$V_{CC} - 0.880$	V
Single-Ended Output Low Voltage	$V_{OL}$	Figure 1	$V_{CC} - 1.810$		$V_{CC} - 1.52$	$V_{CC} - 1.810$		$V_{CC} - 1.620$	$V_{CC} - 1.810$		$V_{CC} - 1.620$	V
Differential Output Voltage	$V_{OH} - V_{OL}$	Figure 1	500			600			600			mV
<b>REFERENCE</b>												
Reference Voltage Output	$V_{BB}$	$I_{BB} = \pm 0.5mA$ (Note 5)	$V_{CC} - 1.41$		$V_{CC} - 1.25$	$V_{CC} - 1.41$		$V_{CC} - 1.25$	$V_{CC} - 1.41$		$V_{CC} - 1.25$	V
<b>SUPPLY</b>												
Supply Current	$I_{EE}$	(Note 6)	50	85		66	115		80	130		mA

# LVECL/LVPECL 1:15 Differential Divide-by-1/Divide-by-2 Clock Driver

## AC ELECTRICAL CHARACTERISTICS

( $V_{CC} - V_{EE}$ ) = 2.375V to 3.8V; outputs loaded with  $50\Omega \pm 1\%$  to  $V_{CC} - 2V$ ; input frequency  $\leq 1000\text{MHz}$ ; input transition time = 125ps (20% to 80%);  $\text{CLK\_SEL}$ ,  $\text{FSEL\_}$  = high or low,  $\text{MR}$  = low;  $V_{IH}$  =  $V_{EE} + 1.2V$  to  $V_{CC}$ ;  $V_{ILD}$  =  $V_{EE}$  to  $V_{CC} - 0.4V$ ;  $V_{IHD} - V_{ILD}$  = 0.4V to 1V. Typical values are at ( $V_{CC} - V_{EE}$ ) = 3.3V,  $V_{IHD} = V_{CC} - 1V$ ,  $V_{ILD} = V_{CC} - 1.5V$ .) (Note 7)

PARAMETER	SYMBOL	CONDITION	-40°C			+25°C			+85°C			UNITS
			MIN	TYP	MAX	MIN	TYP	MAX	MIN	TYP	MAX	
Differential Input-to-Output Delay	$t_{PLHD}$ , $t_{PHLD}$	Figure 2	700	900	1150	725	900	1180	750	950	1225	ps
Single-Ended $\text{CLK\_}/\overline{\text{CLK\_}}$ to Output Delay	$t_{PHLS}$ , $t_{PLHS}$	Figure 1	700	900	1170	700	900	1175	725	950	1250	ps
MR to Output Delay	$t_{PD}$	Figure 3	450		930	450		930	450		930	ps
Output-to-Output Skew	$t_{SKOO}$	(Note 8)			85			56			50	ps
Added Random Jitter	$t_{RJ}$	$f_{IN} = 1.0\text{GHz}$ clock pattern (Note 9)			1.2			1.2			1.2	ps (RMS)
Added Deterministic Jitter	$t_{DJ}$	1Gbps 223 - 1 PRBS pattern (Note 9)			61			61			61	pSP-P
Switching Frequency	$f_{MAX}$	$V_{OD} > 300\text{mV}$	1.0			1.0			1.0			GHz
Differential Output Rise and Fall Time (20% to 80%)	$t_R$ , $t_F$	Figure 2	200	260	400	200	260	400	200	240	400	ps

**Note 1:** Measurements are made with the device in thermal equilibrium.

**Note 2:** Current into a pin is defined as positive. Current out of a pin is defined as negative.

**Note 3:** Single-ended  $\text{CLK\_}$ ,  $\overline{\text{CLK\_}}$  input operation is limited to  $V_{CC} - V_{EE} = 3.0V$  to 3.8V.

**Note 4:** DC parameters are production tested at  $T_A = +25^\circ\text{C}$  and guaranteed by design over the full operating temperature range.

**Note 5:** Use  $V_{BB}$  as a reference for inputs of the same device only.

**Note 6:** All pins open except  $V_{CC}$  and  $V_{EE}$ .

**Note 7:** Guaranteed by design and characterization. Limits are set at  $\pm 6$  sigma.

**Note 8:** Measured between outputs of the same parts at the signal crossing points under identical conditions for a same-edge transition.

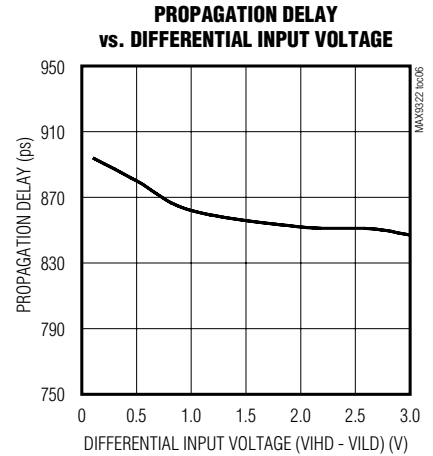
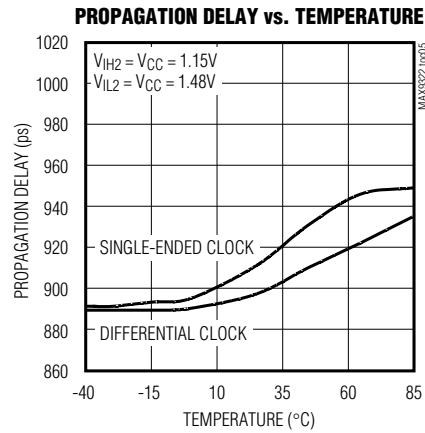
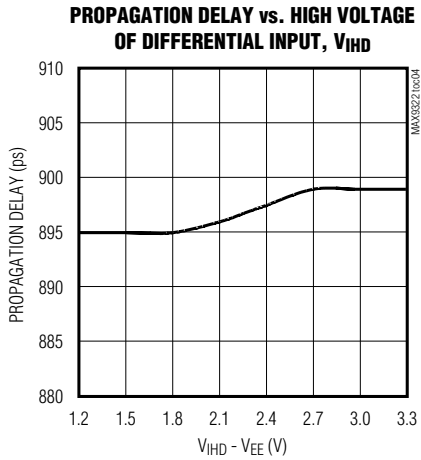
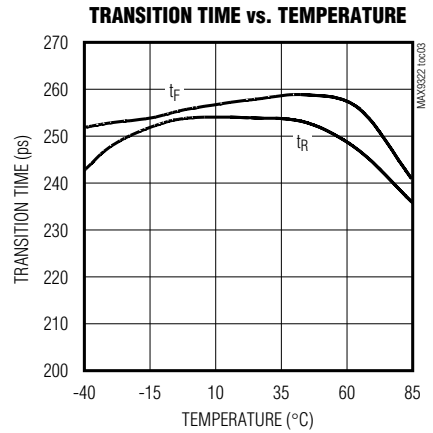
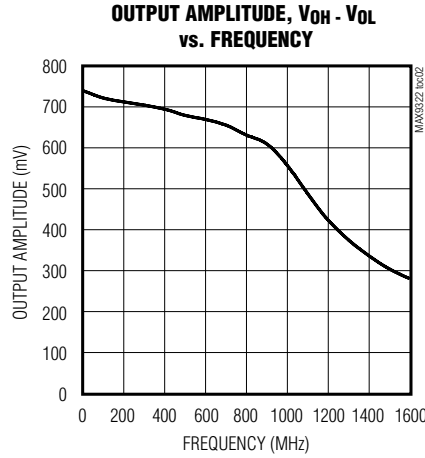
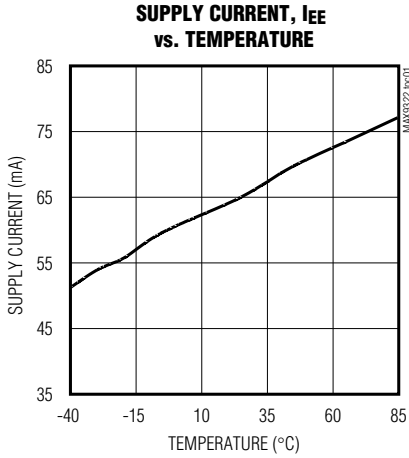
**Note 9:** Device jitter added to a jitter-free input signal.

# LVECL/LVPECL 1:15 Differential Divide-by-1/Divide-by-2 Clock Driver

MAX9322

## Typical Operating Characteristics

( $V_{CC} - V_{EE} = 3.3V$ ,  $V_{IH2} = V_{CC} - 1V$ ,  $V_{ILD} = V_{CC} - 1.5V$ ,  $V_{ID} = 500mV$ ,  $CLK\_SEL = 0$ ,  $FSEL\_ = 0$ ,  $f_{IN} = 600MHz$ ,  $T_A = +25^{\circ}C$ , unless otherwise noted.)



# LVECL/LVPECL 1:15 Differential Divide-by-1/Divide-by-2 Clock Driver

## Pin Description

PIN		NAME	FUNCTION
TQFP	QFN		
1	2, 3	V <sub>CC</sub>	Positive Power Supply. Powers input circuitry. Bypass each V <sub>CC</sub> to V <sub>EE</sub> with a 0.01μF and 0.1μF capacitor. Place the capacitors as close to the device as possible with the smaller value capacitor closest to the device.
2	4	MR	Single-Ended Master Reset. A high on MR sets all outputs to differential zero. A low on MR enables all outputs. MR is pulled to V <sub>EE</sub> through a 75kΩ resistor.
3	5	FSELA	Single-Ended Frequency Select A. Selects the output frequency for bank A. Bank A consists of two differential outputs. A low on FSELA selects divide-by-1. A high on FSELA selects divide-by-2. FSELA is pulled to V <sub>EE</sub> through a 75kΩ resistor.
4	6	FSELB	Single-Ended Frequency Select B. Selects the output frequency for bank B. Bank B consists of three differential outputs. A low on FSELB selects divide-by-1. A high on FSELB selects divide-by-2. FSELB is pulled to V <sub>EE</sub> through a 75kΩ resistor.
5	7	CLK0	Noninverting Clock 0 Input. $\overline{\text{CLK0}}$ is pulled to V <sub>EE</sub> through 75kΩ resistors.
6	8	$\overline{\text{CLK0}}$	Inverting Clock 0 Input. CLK0 is pulled to V <sub>CC</sub> and to V <sub>EE</sub> through a 75kΩ resistor.
7	9	CLK_SEL	Single-Ended Clock Selector Input. A low on CLK_SEL selects CLK0. A high on CLK_SEL selects CLK1. CLK_SEL is pulled to V <sub>EE</sub> through a 75kΩ resistor.
8	10	CLK1	Noninverting Clock 1 Input. CLK1 is pulled to V <sub>EE</sub> through a 75kΩ resistor.
9	11	$\overline{\text{CLK1}}$	Inverting Clock 1 Input. $\overline{\text{CLK1}}$ is pulled to V <sub>CC</sub> and to V <sub>EE</sub> through 75kΩ resistors.
10	12	V <sub>BB</sub>	Reference Voltage Output. Connect V <sub>BB</sub> to CLK_ or $\overline{\text{CLK}}$ to provide a reference for single-ended operation. When used, bypass with a 0.01μF ceramic capacitor to V <sub>CC</sub> ; otherwise leave open.
11	13	FSELC	Single-Ended Frequency Select C. Selects the output frequency for bank C. Bank C consists of four differential outputs. A low on FSELC selects divide-by-1. A high on FSELC selects divide-by-2. FSELC is pulled to V <sub>EE</sub> through a 75kΩ resistor.
12	14	FSELD	Single-Ended Frequency Select D. Selects the output frequency for bank D. Bank D consists of six differential outputs. A low on FSELD selects divide-by-1. A high on FSELD selects divide-by-2. FSELD is pulled to V <sub>EE</sub> through a 75kΩ resistor.
13	15, 16	V <sub>EE</sub>	Negative Power-Supply Input
14, 27, 30, 39, 40, 47, 52	19, 20, 33, 36, 37, 40, 49, 50, 53, 54, 61, 66, 67	V <sub>CCO</sub>	Output Driver Positive Power Supply. Powers device output drivers. Bypass each V <sub>CCO</sub> to V <sub>EE</sub> with a 0.01μF and 0.1μF capacitor. Place the capacitors as close to the device as possible with the smaller value capacitor closest to the device.
15	21	$\overline{\text{QD5}}$	Inverting QD5 Output. Typically terminate with 50Ω resistor to V <sub>CC</sub> - 2V.
16	22	QD5	Noninverting QD5 Output. Typically terminate with 50Ω resistor to V <sub>CC</sub> - 2V.
17	23	$\overline{\text{QD4}}$	Inverting QD4 Output. Typically terminate with 50Ω resistor to V <sub>CC</sub> - 2V.
18	24	QD4	Noninverting QD4 Output. Typically terminate with 50Ω resistor to V <sub>CC</sub> - 2V.

# LVECL/LVPECL 1:15 Differential Divide-by-1/Divide-by-2 Clock Driver

## Pin Description (continued)

**MAX9322**

PIN		NAME	FUNCTION
TQFP	QFN		
19	25	$\overline{QD3}$	Inverting QD3 Output. Typically terminate with 50Ω resistor to V <sub>CC</sub> - 2V.
20	26	QD3	Noninverting QD3 Output. Typically terminate with 50Ω resistor to V <sub>CC</sub> - 2V.
21	27	$\overline{QD2}$	Inverting QD2 Output. Typically terminate with 50Ω resistor to V <sub>CC</sub> - 2V.
22	28	QD2	Noninverting QD2 Output. Typically terminate with 50Ω resistor to V <sub>CC</sub> - 2V.
23	29	$\overline{QD1}$	Inverting QD1 Output. Typically terminate with 50Ω resistor to V <sub>CC</sub> - 2V.
24	30	QD1	Noninverting QD1 Output. Typically terminate with 50Ω resistor to V <sub>CC</sub> - 2V.
25	31	$\overline{QD0}$	Inverting QD0 Output. Typically terminate with 50Ω resistor to V <sub>CC</sub> - 2V.
26	32	QD0	Noninverting QD0 Output. Typically terminate with 50Ω resistor to V <sub>CC</sub> - 2V.
28, 29	1, 17, 18, 34, 35, 38, 39, 51, 52, 68	N.C.	No Connection. Not internally connected.
31	41	$\overline{QC3}$	Inverting QC3 Output. Typically terminate with 50Ω resistor to V <sub>CC</sub> - 2V.
32	42	QC3	Noninverting QC3 Output. Typically terminate with 50Ω resistor to V <sub>CC</sub> - 2V.
33	43	$\overline{QC2}$	Inverting QC2 Output. Typically terminate with 50Ω resistor to V <sub>CC</sub> - 2V.
34	44	QC2	Noninverting QC2 Output. Typically terminate with 50Ω resistor to V <sub>CC</sub> - 2V.
35	45	$\overline{QC1}$	Inverting QC1 Output. Typically terminate with 50Ω resistor to V <sub>CC</sub> - 2V.
36	46	QC1	Noninverting QC1 Output. Typically terminate with 50Ω resistor to V <sub>CC</sub> - 2V.
37	47	$\overline{QC0}$	Inverting QC0 Output. Typically terminate with 50Ω resistor to V <sub>CC</sub> - 2V.
38	48	QC0	Noninverting QC0 Output. Typically terminate with 50Ω resistor to V <sub>CC</sub> - 2V.
41	55	$\overline{QB2}$	Inverting QB2 Output. Typically terminate with 50Ω resistor to V <sub>CC</sub> - 2V.
42	56	QB2	Noninverting QB2 Output. Typically terminate with 50Ω resistor to V <sub>CC</sub> - 2V.
43	57	$\overline{QB1}$	Inverting QB1 Output. Typically terminate with 50Ω resistor to V <sub>CC</sub> - 2V.
44	58	QB1	Noninverting QB1 Output. Typically terminate with 50Ω resistor to V <sub>CC</sub> - 2V.
45	59	$\overline{QB0}$	Inverting QB0 Output. Typically terminate with 50Ω resistor to V <sub>CC</sub> - 2V.
46	60	QB0	Noninverting QB0 Output. Typically terminate with 50Ω resistor to V <sub>CC</sub> - 2V.
48	62	$\overline{QA1}$	Inverting QA1 Output. Typically terminate with 50Ω resistor to V <sub>CC</sub> - 2V.
49	63	QA1	Noninverting QA1 Output. Typically terminate with 50Ω resistor to V <sub>CC</sub> - 2V.
50	64	$\overline{QA0}$	Inverting QA0 Output. Typically terminate with 50Ω resistor to V <sub>CC</sub> - 2V.
51	65	QA0	Noninverting QA0 Output. Typically terminate with 50Ω resistor to V <sub>CC</sub> - 2V.
—	EP	V <sub>EE</sub>	The exposed pad of the QFN package is internally connected to V <sub>EE</sub> . Refer to Application Note HFAN-08.1.

# LVECL/LVPECL 1:15 Differential Divide-by-1/Divide-by-2 Clock Driver

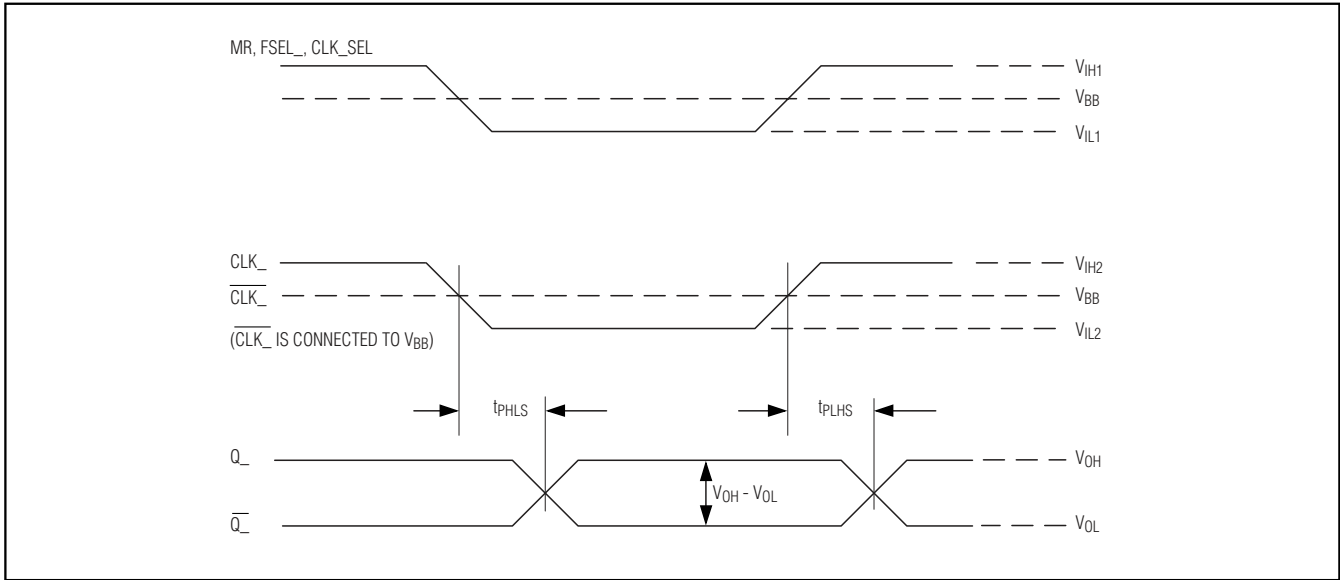


Figure 1. Timing Diagram for Single-Ended Inputs

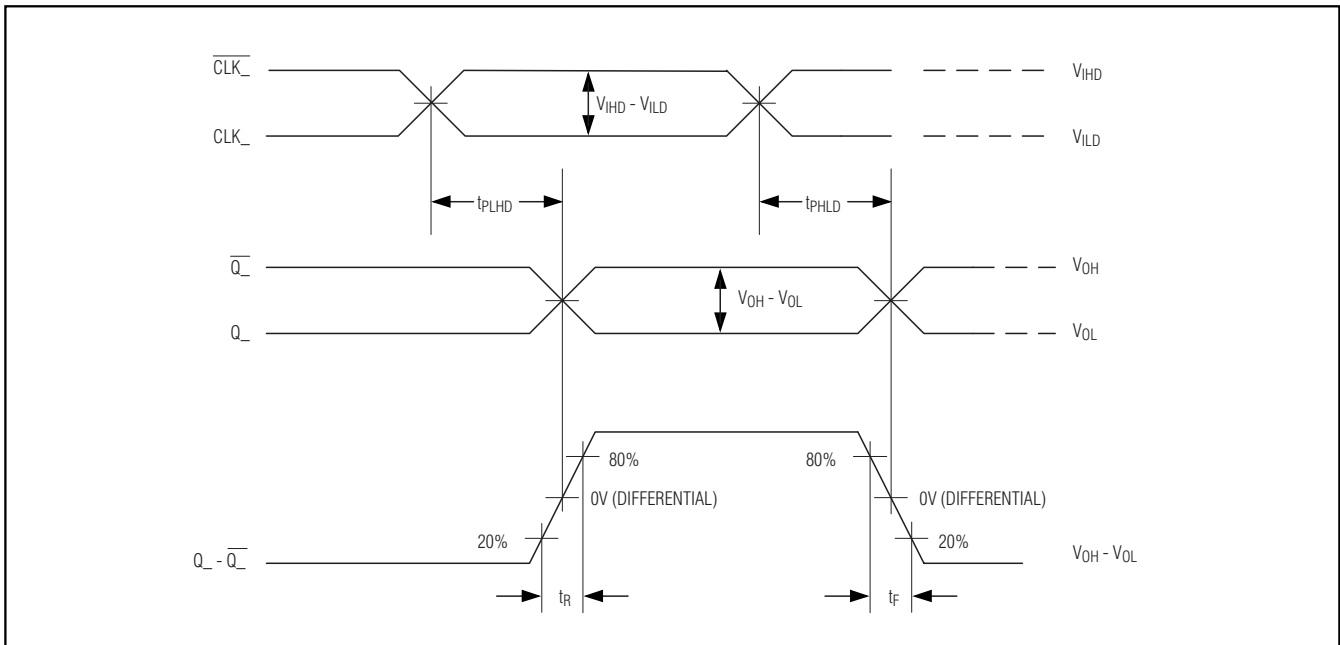


Figure 2. Timing Diagram for Differential Inputs



# LVECL/LVPECL 1:15 Differential Divide-by-1/Divide-by-2 Clock Driver

MAX9322

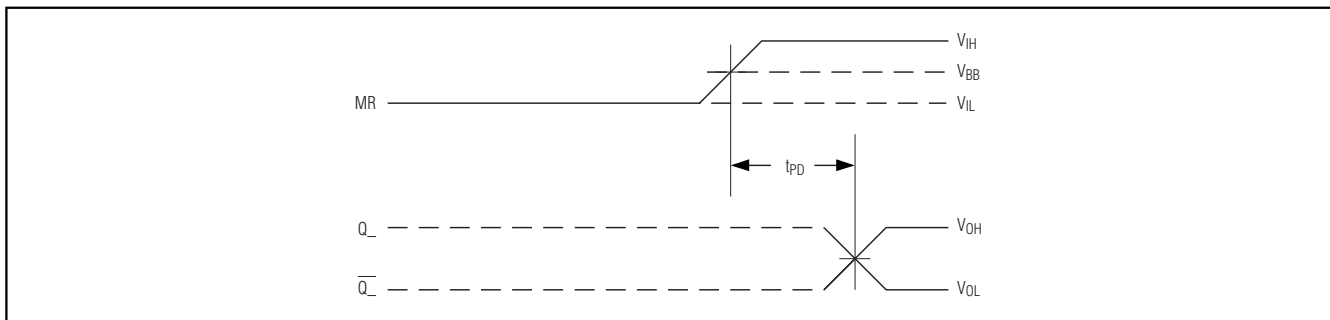


Figure 3. Timing Diagram for MR

## Detailed Description

The MAX9322 low-skew 1:15 differential clock driver reproduces or divides one of two differential input clocks at 15 differential outputs. An input multiplexer selects from one of two input clocks with input frequency operation in excess of 1.0GHz. The 15 outputs are arranged into four banks with 2, 3, 4, and 6 outputs, respectively. Each output bank is individually programmable to provide a divide-by-1 or divide-by-2 frequency function.

### LVECL/LVPECL Operation

Output levels are referenced to  $V_{CC}$  and are LVPECL or LVECL, depending on the level of the  $V_{CC}$  supply. With  $V_{CC}$  connected to a positive supply and  $V_{EE}$  connected to ground, the outputs are LVPECL. The outputs are LVECL when  $V_{CC}$  is connected to ground and  $V_{EE}$  is connected to a negative supply. When interfacing to differential LVPECL signals, the  $V_{CC}$  range is 2.375V to 3.8V ( $V_{EE} = 0$ ), allowing high-performance clock distribution in systems with nominal 2.5V and 3.3V supplies. When interfacing to differential LVECL, the  $V_{EE}$  range is -2.375V to -3.8V ( $V_{CC} = 0$ ).

### Control Inputs (FSEL\_, CLK\_SEL, MR)

The MAX9322 provides four output banks: A, B, C, and D. Bank A consists of two differential output pairs. Bank B consists of three differential output pairs. Bank C consists of four differential output pairs. Bank D consists of six differential output pairs. FSEL\_ selects the output clock frequency for a bank. A low on FSEL\_ selects divide-by-1 frequency operation while a high on FSEL\_ selects divide-by-2 operation. CLK\_SEL selects CLK0 or CLK1 as the input signal. A low on CLK\_SEL selects CLK0 while a high selects CLK1.

Master reset (MR) enables all outputs. CLK\_SEL and FSEL\_ are asynchronous. Changes to the control inputs (CLK\_SEL, FSEL\_) or on power-up cause indeterminate output states requiring a MR assertion to resynchronize any divide-by-2 outputs (Figure 4). A low on MR activates

all outputs for normal operation. A high on MR resets all outputs to differential low condition. See Table 1.

### Input Termination Resistors

Differential inputs CLK\_ and  $\overline{\text{CLK}}_-$  are biased to guarantee a known state (differential low) if the inputs are left open. CLK\_ is internally pulled to  $V_{EE}$  through a 75k $\Omega$  resistor.  $\overline{\text{CLK}}_-$  is internally pulled to  $V_{CC}$  and to  $V_{EE}$  through 75k $\Omega$  resistors.

Single-ended inputs FSEL\_, MR, and CLK\_SEL are internally pulled to  $V_{EE}$  through a 75k $\Omega$  resistor.

### Differential Clock Input

The MAX9322 accepts two differential or single-ended clock inputs, CLK0/CLK0 and CLK1/CLK1. CLK\_SEL selects between CLK0/CLK0 and CLK1/CLK1. A low on CLK\_SEL selects CLK0/ $\overline{\text{CLK}}_0$ . A high on CLK\_SEL selects CLK1/ $\overline{\text{CLK}}_1$ . See Table 1.

Differential CLK\_ inputs must be at least  $V_{BB} \pm 95\text{mV}$  to switch the outputs to the  $V_{OH}$  and  $V_{OL}$  levels specified in the *DC Electrical Characteristics* table. The maximum magnitude of the differential signal applied to the differential clock input is the lower of  $(V_{CC} - V_{EE})$  and 3.0V. This limit also applies to the difference between any reference voltage input and a single-ended input. Specifications for the high and low voltages of a differential input ( $V_{IHD}$  and  $V_{ILD}$ ) and the differential input voltage ( $V_{IHD} - V_{ILD}$ ) apply simultaneously.

Table 1. Function Table

PIN	FUNCTION	
	LOW OR OPEN	HIGH
FSEL_	Divide-by-1	Divide-by-2
CLK_SEL	CLK0	CLK1
MR*	Active	Reset

\*A master reset is required following power-up or changes to input functions to prevent indeterminate output states.

# LVECL/LVPECL 1:15 Differential Divide-by-1/Divide-by-2 Clock Driver

## Single-Ended Inputs and V<sub>BB</sub>

The differential clock input can be configured to accept a single-ended input when operating at  $V_{CC} - V_{EE} = 3.0V$  to  $3.8V$ . Connect  $V_{BB}$  to the inverting or noninverting input of the differential input as a reference for single-ended operation. The differential  $CLK_{-}$  input is converted to a noninverting, single-ended input by connecting  $V_{BB}$  to  $CLK_{-}$  and connecting the single-ended input signal to  $CLK$ . Similarly, an inverting configuration is obtained by connecting  $V_{BB}$  to  $CLK_{-}$  and connecting the single-ended input to  $CLK_{-}$ .

The single-ended inputs  $FSEL_{-}$ ,  $CLK_{SEL}$ , and  $MR$  are internally referenced to  $V_{BB}$ . All single-ended inputs ( $FSEL_{-}$ ,  $CLK_{SEL}$ ,  $MR$ , and any  $CLK_{-}$  in single-ended mode) can be driven to  $V_{CC}$  and  $V_{EE}$  or with a single-ended LVPECL/LVECL signal. The single-ended input must be at least  $V_{BB} \pm 95mV$  to switch the outputs to the  $V_{OH}$  and  $V_{OL}$  levels specified in the *DC Electrical Characteristics* table. When using the  $V_{BB}$  reference output, bypass  $V_{BB}$  with a  $0.01\mu F$  ceramic capacitor to  $V_{CC}$ . Leave  $V_{BB}$  open when not used. The  $V_{BB}$  reference can source or sink  $0.5mA$ . Use  $V_{BB}$  as a reference for the same device only.

## Applications Information

### Supply Bypassing

Bypass each  $V_{CC}$  and  $V_{CCO}$  to  $V_{EE}$  with high-frequency surface-mount ceramic  $0.01\mu F$  and  $0.1\mu F$  capacitors in parallel as close to the device as possible, with the  $0.01\mu F$  capacitor closest to the device. Use multiple parallel vias to minimize parasitic inductance. When using the  $V_{BB}$  reference output, bypass  $V_{BB}$  to  $V_{CC}$  with a  $0.01\mu F$  ceramic capacitor.

### Controlled-Impedance Traces

Input and output trace characteristics affect the performance of the MAX9322. Connect input and output signals with  $50\Omega$  characteristic impedance traces. Minimize the number of vias to prevent impedance discontinuities. Reduce reflections by maintaining the  $50\Omega$  characteristic impedance through cables and connectors. Reduce skew within a differential pair by matching the electrical length of the traces.

### Output Termination

Terminate outputs with  $50\Omega$  to  $V_{CC} - 2V$  or use an equivalent Thevenin termination. When a single-ended signal is taken from a differential output, terminate both outputs. For example, if  $QA0$  is used as a single-ended output, terminate both  $QA0$  and  $QA0$ .

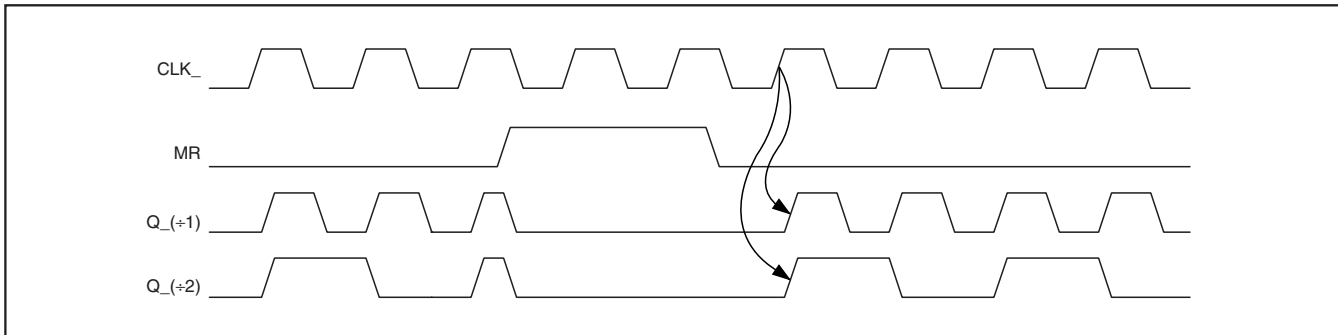
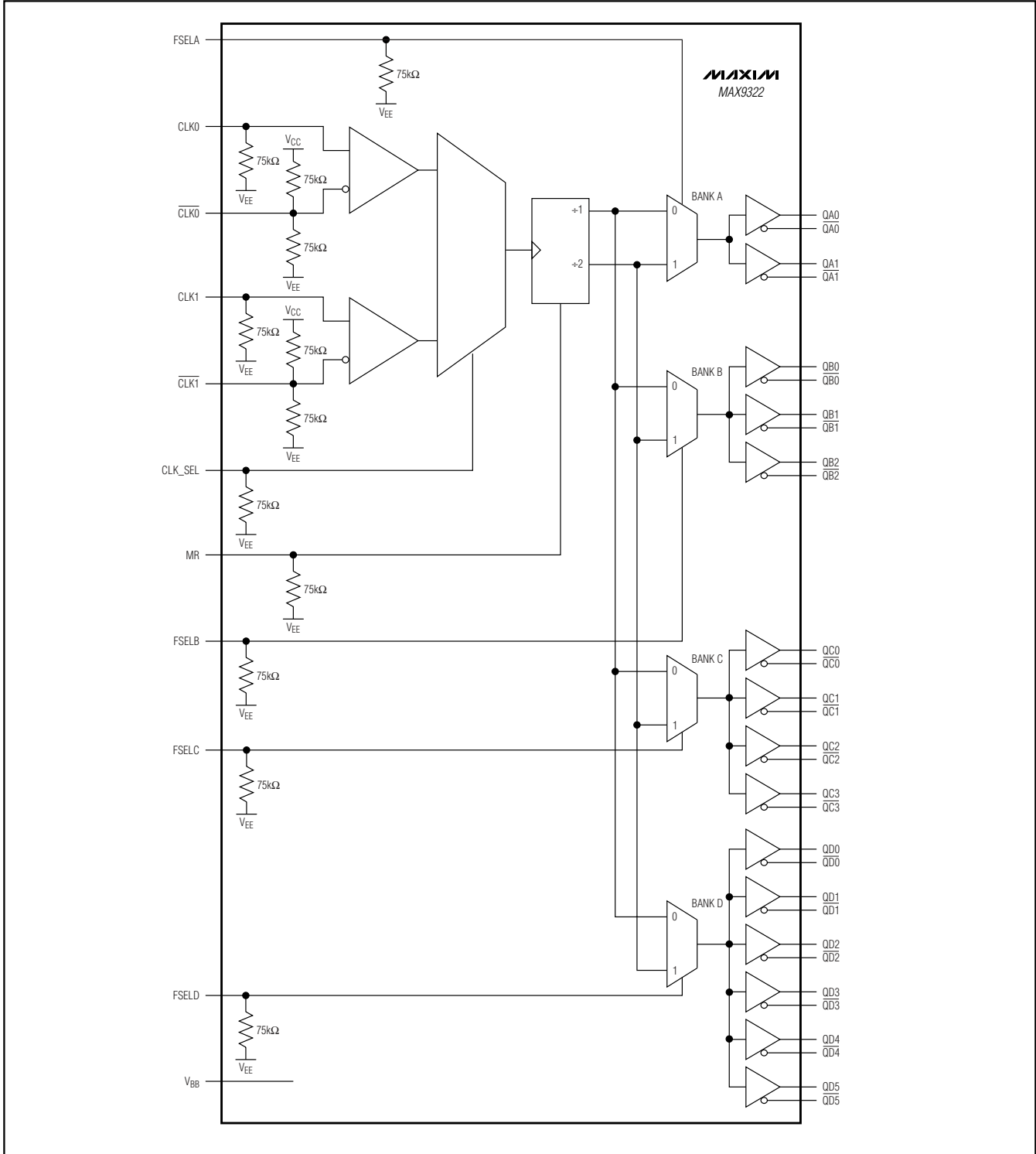


Figure 4. Timing Diagram for MR Resynchronization

# LVECL/LVPECL 1:15 Differential Divide-by-1/Divide-by-2 Clock Driver

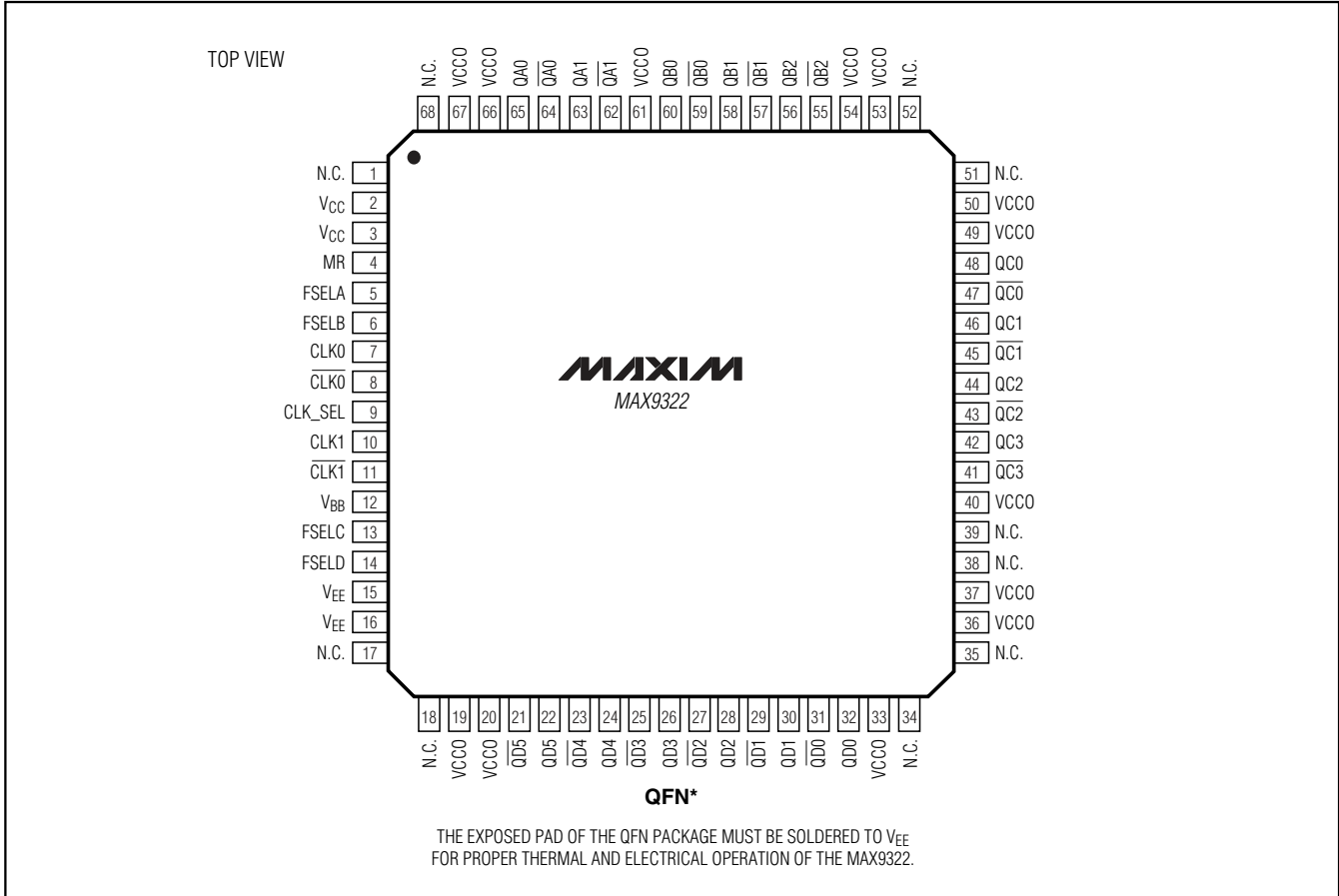
## Functional Diagram

MAX9322



# LVECL/LVPECL 1:15 Differential Divide-by-1/Divide-by-2 Clock Driver

## Pin Configurations (continued)



### Chip Information

TRANSISTOR COUNT: 2063

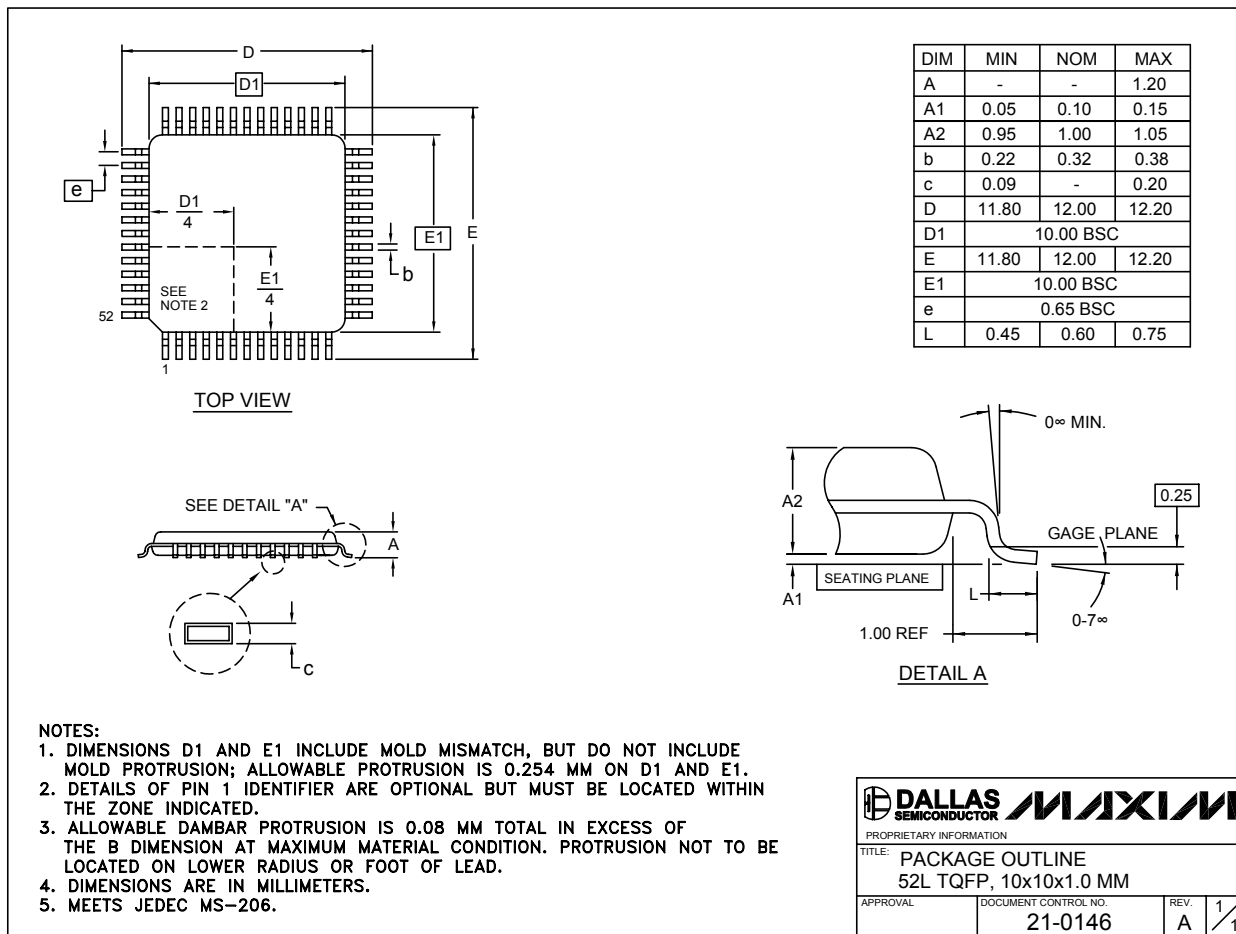
PROCESS: Bipolar

# LVECL/LVPECL 1:15 Differential Divide-by-1/Divide-by-2 Clock Driver

## Package Information

(The package drawing(s) in this data sheet may not reflect the most current specifications. For the latest package outline information, go to [www.maxim-ic.com/packages](http://www.maxim-ic.com/packages).)

MAX9322



## Revision History

Pages changed at Rev 2: 1, 5, 13

Maxim cannot assume responsibility for use of any circuitry other than circuitry entirely embodied in a Maxim product. No circuit patent licenses are implied. Maxim reserves the right to change the circuitry and specifications without notice at any time.

Maxim Integrated Products, 120 San Gabriel Drive, Sunnyvale, CA 94086 408-737-7600 13

SITE  
SEARCHPART NO.  
SEARCH

WHAT'S NEW

PRODUCTS

SOLUTIONS

DESIGN

APPNOTES

SUPPORT

BUY

COMPANY

MEMBERS

## MAX9322

### Part Number Table

**Notes:**

1. See the [MAX9322 QuickView Data Sheet](#) for further information on this product family or download the [MAX9322 full data sheet](#) (PDF, 196kB).
2. Other options and links for purchasing parts are listed at: <http://www.maxim-ic.com/sales>.
3. [Didn't Find What You Need?](#) Ask our applications engineers. Expert assistance in finding parts, usually within one business day.
4. Part number suffixes: T or T&R = tape and reel; + = RoHS/lead-free; # = RoHS/lead-exempt. More: See [full data sheet](#) or [Part Naming Conventions](#).
5. \* Some packages have variations, listed on the drawing. "PkgCode/Variation" tells which variation the product uses.

Part Number	Free Sample	Buy Direct	Package: TYPE PINS SIZE DRAWING CODE/VAR *	Temp	RoHS/Lead-Free? Materials Analysis
MAX9322ECY	<input type="checkbox"/>	<input type="checkbox"/>			RoHS/Lead-Free: <a href="#">No</a>
MAX9322ECY-T	<input type="checkbox"/>	<input type="checkbox"/>			RoHS/Lead-Free: <a href="#">No</a>
MAX9322ECY+TD	<input type="checkbox"/>	<input type="checkbox"/>		-40C to +85C	RoHS/Lead-Free: <a href="#">Yes</a>
MAX9322ECY-TD	<input type="checkbox"/>	<input type="checkbox"/>		-40C to +85C	RoHS/Lead-Free: <a href="#">No</a>
MAX9322ECY+D	<input type="checkbox"/>	<input type="checkbox"/>		-40C to +85C	RoHS/Lead-Free: <a href="#">Yes</a>
MAX9322ECY-D	<input type="checkbox"/>	<input type="checkbox"/>		-40C to +85C	RoHS/Lead-Free: <a href="#">No</a>

[Didn't Find What You Need?](#)

[CONTACT US: SEND US AN EMAIL](#)

Copyright 2007 by Maxim Integrated Products, Dallas Semiconductor • [Legal Notices](#) • [Privacy Policy](#)