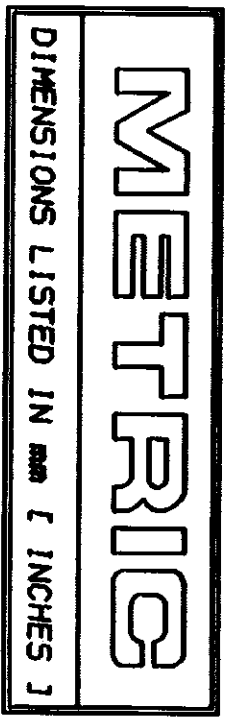
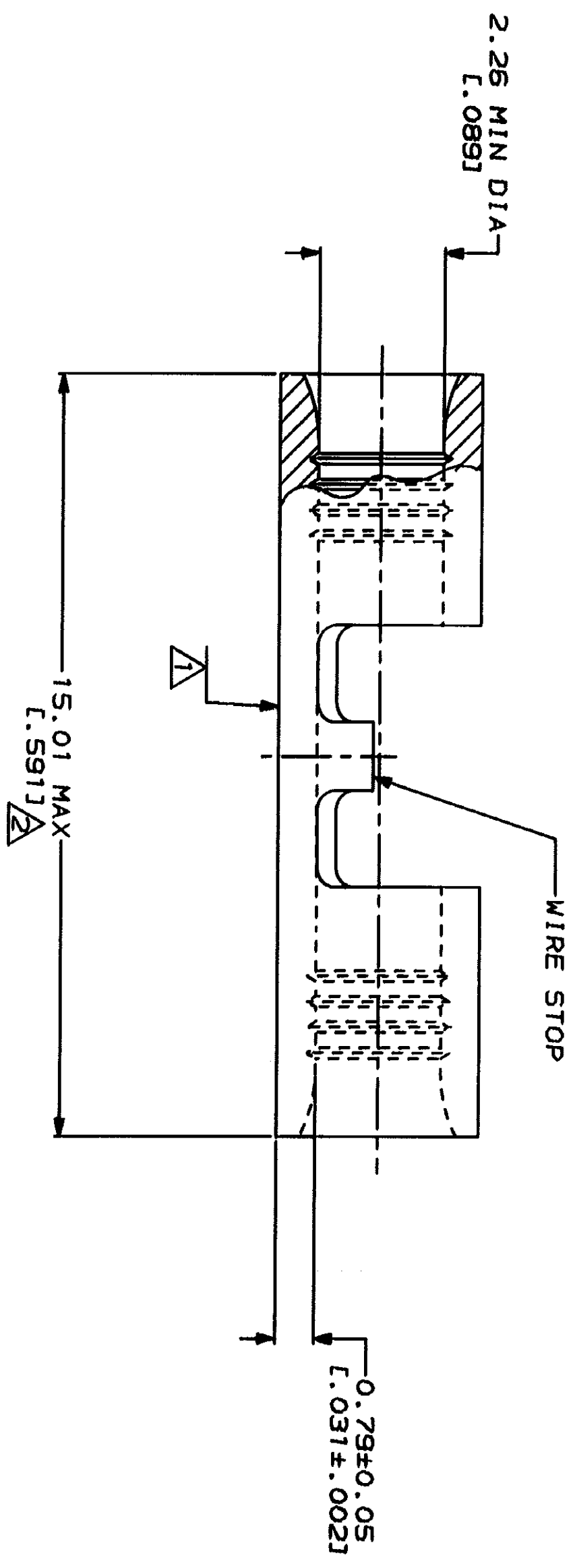
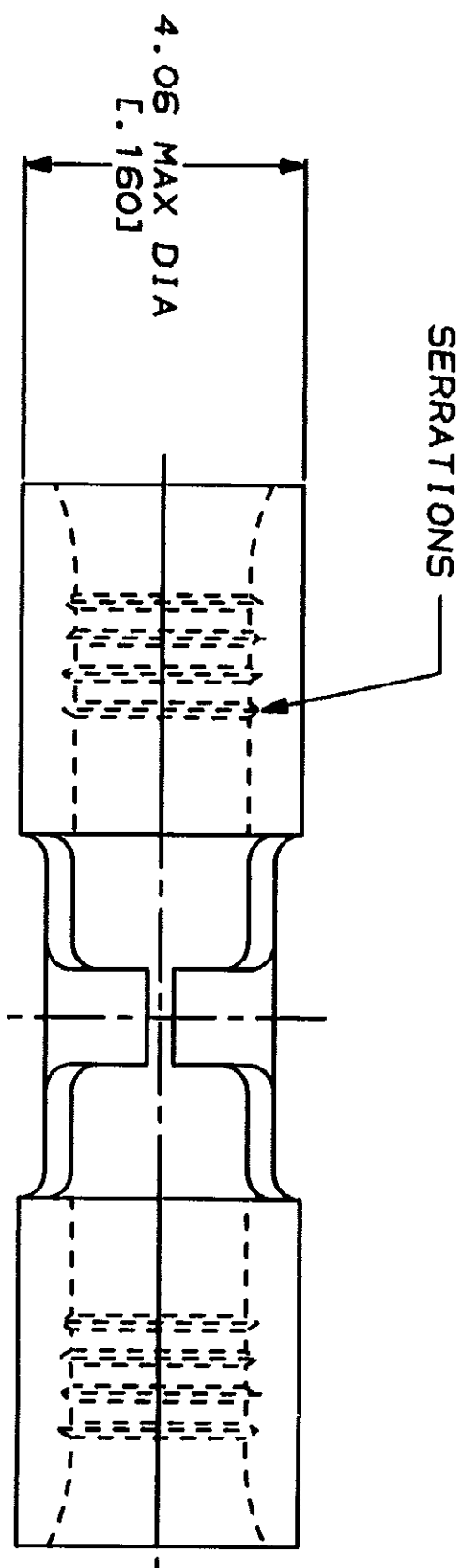


LOC	DIST	ZONE	LTN	DESCRIPTION	DATE	APPD
G	14	A		REVISED PER 0720-0230-93	2/28/93	AMP



<b>AMP</b> WIRE RANGE	<b>UL</b> E13288 Listed
16-14 AWG STRANDED	16-14 AWG STRANDED
● LR7189 Certified	MILITARY P/N AND CLASS
NOT CERTIFIED	NOT APPLICABLE

△ STAMP AMP 16-14\* APPROX AS SHOWN  
 △ MAXIMUM LENGTH DOES NOT INCLUDE  
 △ MANUFACTURING TABS



AMP INCORPORATED  
 CUSTOMER SERVICE SYSTEMS

FOR ADDITIONAL  
 PRODUCT INFORMATION OR  
 COPIES OF DRAWINGS  
 AND TECHNICAL DOCUMENTS  
 1-800-522-6752

FOR APPLICATION  
 TOOLING INFORMATION  
 1-800-722-1111

FOR ORDER ENTRY  
 1-800-526-5142

MAX RECOMMENDED OPERATING  
 TEMPERATURE:  
 170°C MAX

VOLTAGE RATING:  
 NOT APPLICABLE

WIRE CROSS SECTIONAL AREA RANGE:  
 1.04-2.62mm<sup>2</sup> (2,050-5,180) CIR MILS  
 STRANDED

DO NOT SCALE PRINT.  
 UNLESS SPECIFIED  
 DIMENSIONS IN—  
 TOLERANCES ON—  
 2 PLC DEC ±  
 3 PLC DEC ±  
 ANGLES  
 MATERIAL  
 COPPER PER  
 ASTM B-152  
 ANNEALED

FINISH  
 TIN PLATE  
 0.00254L.0001001 MIN  
 THK PER MIL-T-10727

DR 3-1-93 TA BRINKMAN	NAME
CHK 3-1-93 DA PATTERSON	AMP Incorporated Harrisburg, PA 17105-3508
APPD 3-1-93 DE MILLER	
APPD 3-1-93 JL HECKLEY	
PRODUCT SPEC	
APPLICATION SPEC	
WEIGHT	

SCALE 10:1

SPLICE, BUTT,  
 STRAP, BUDGET

SIZE  
 CAGE CODE 00779  
 DRAWING NO 32464

32464  
 PART NO

CUSTOMER DRAWING  
 SHEET 1 OF 1