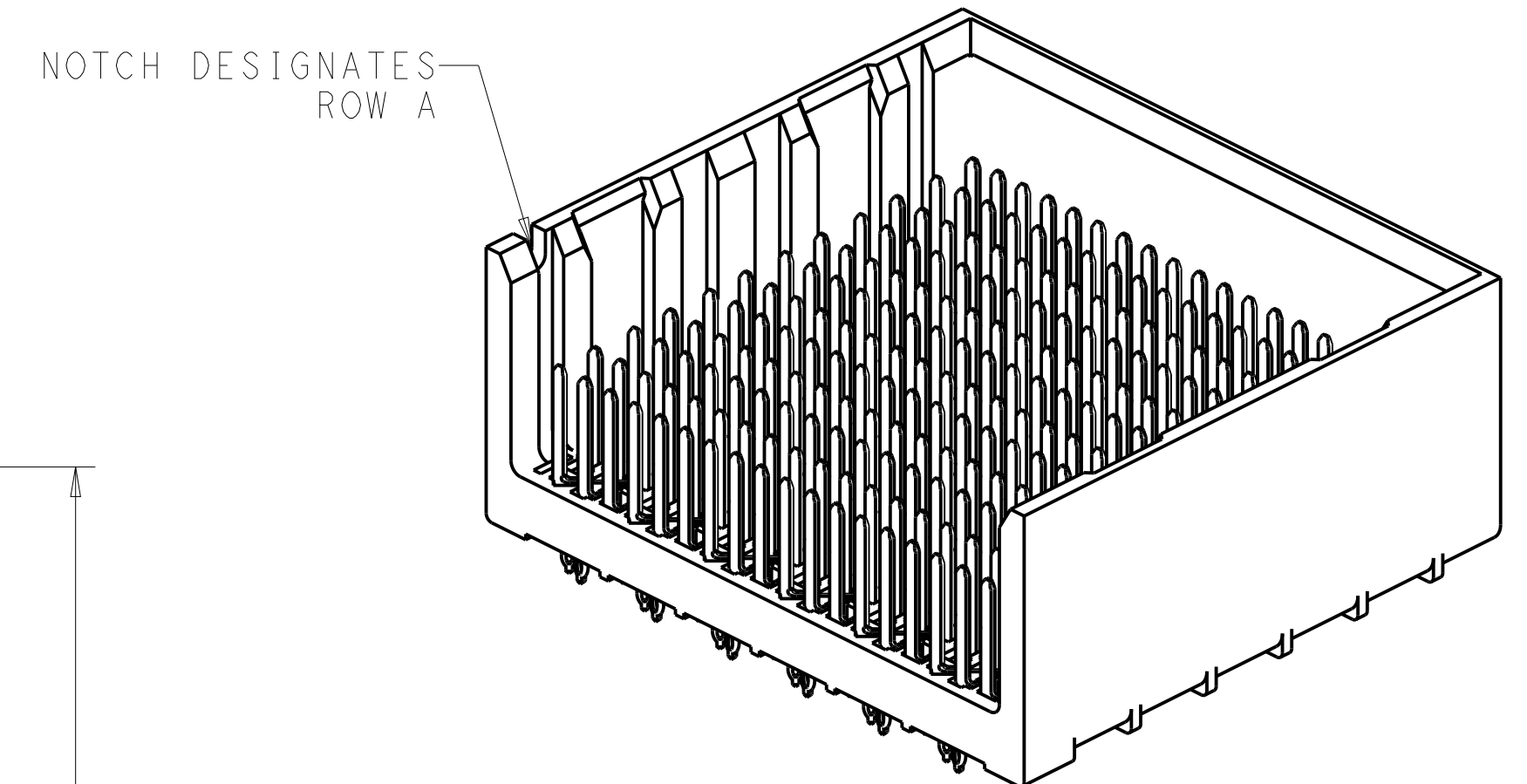
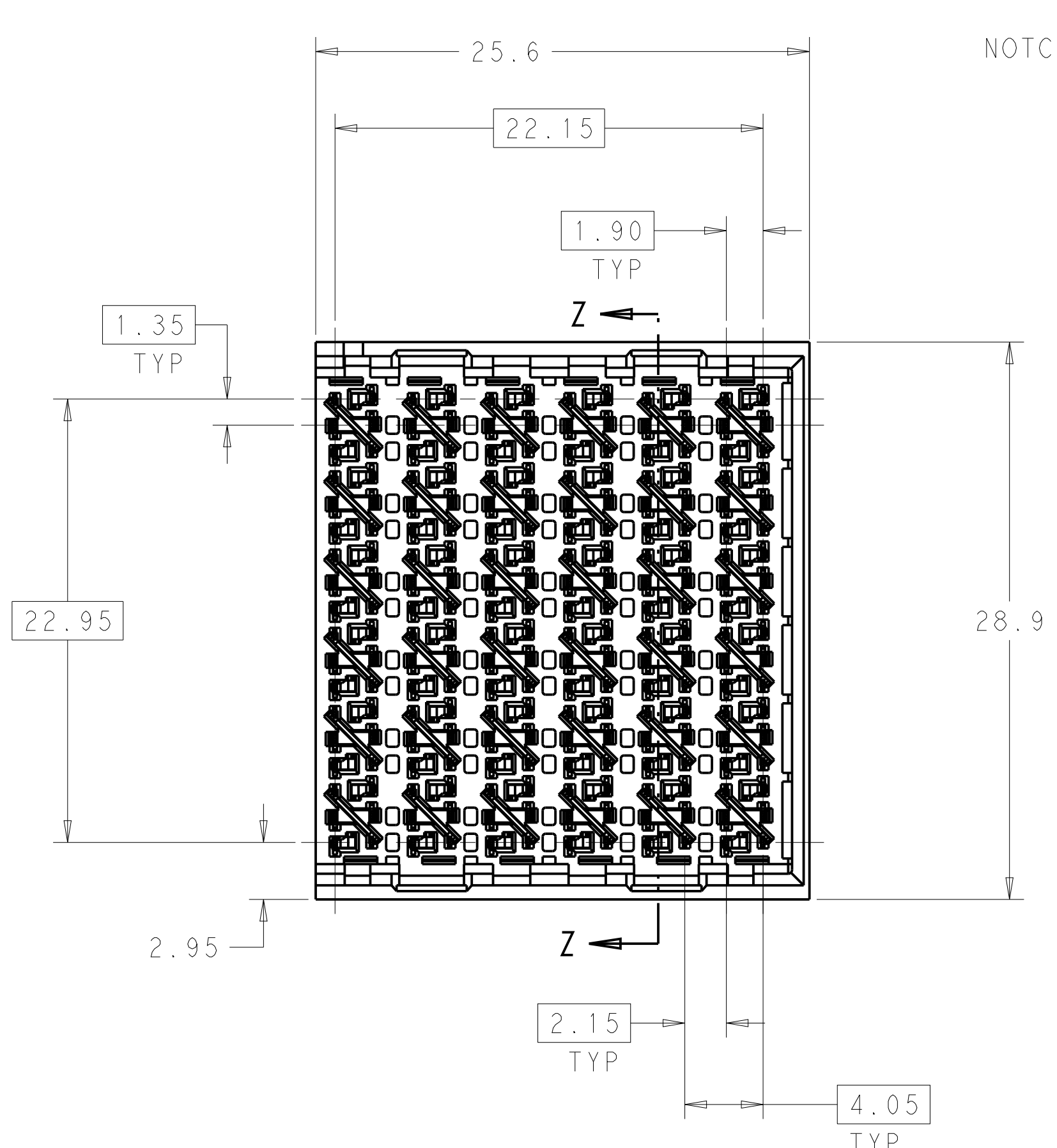
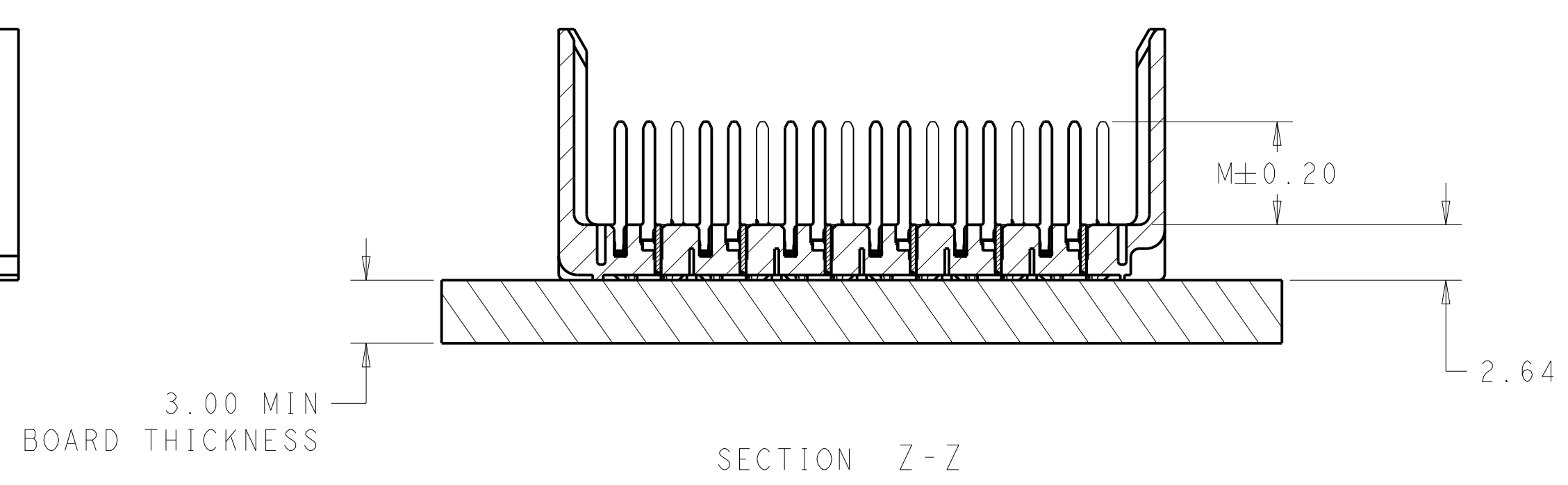
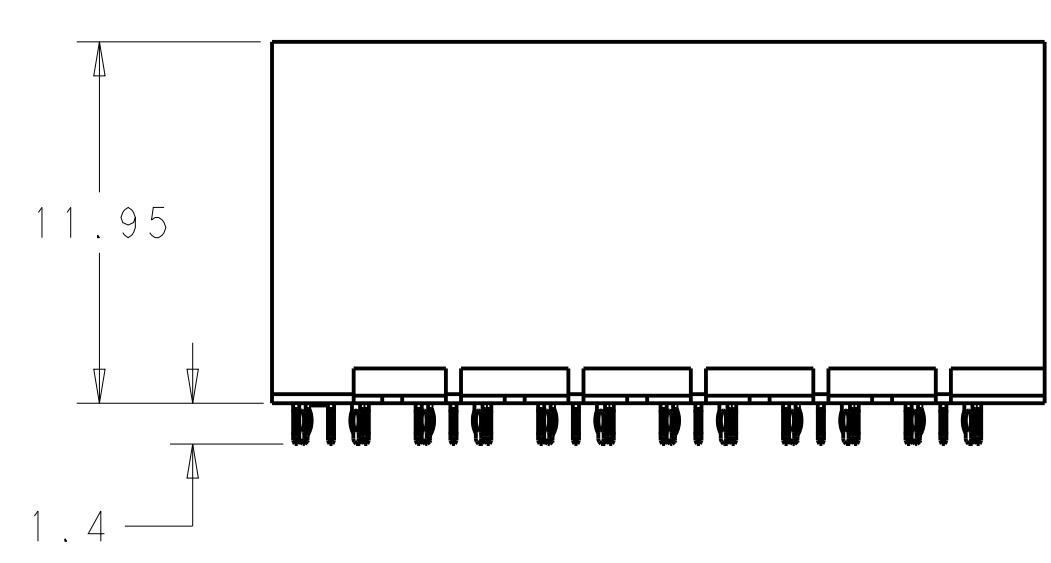
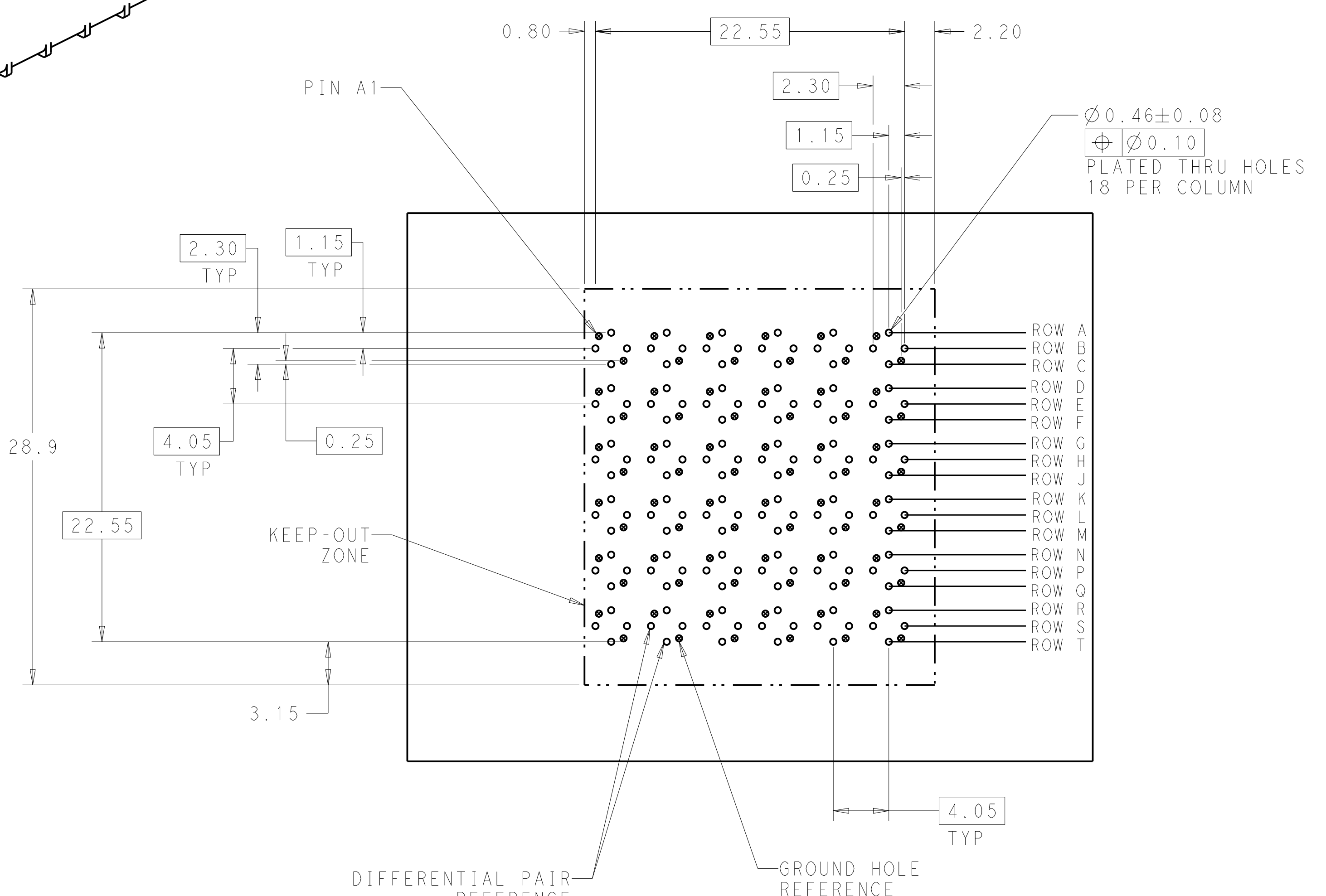


| REVISIONS | | | | |
|-----------|------|---------------------------|-----------|-------|
| P. | LTN. | DESCRIPTION | DATE | APVD. |
| C | | REVISED PER ECO-14-013273 | 04NOV2014 | AP DD |



- 1 MATERIAL:
HOUSING: LCP GLASS FILLED UL94V-0
TERMINALS: HIGH PERFORMANCE COPPER ALLOY
- 2 FINISH:
30μ" MIN GOLD IN CONTACT AREA
SELECTIVE TIN ON PCB TAILS.
NICKEL OVERALL.



LEFT GUIDED
 BACKPLANE HOLE PATTERN
 (CONNECTOR SIDE)
 SCALE 4:1

| | | |
|--------|-------|-------------|
| 2 | 5.5 | 2143280-2 |
| 2 | 4.9 | 2143280-1 |
| FINISH | DIM M | PART NUMBER |

| | | | |
|--|--------|----------------------------------|--|
| THIS DRAWING IS A CONTROLLED DOCUMENT. | | DWN: J. K. SHOBER 28DEC2010 | TE Connectivity |
| DIMENSIONS: mm | | CHK: J. EARY 28DEC2010 | |
| TOLERANCES UNLESS OTHERWISE SPECIFIED: | | APVD: J. EARY 28DEC2010 | NAME: IMPACT, 6 PAIR, 12 COLUMN, UNGUIDED DUAL RIGHT WALL ASSEMBLY, ORTHOGONAL, 0.46 PTH |
| 0 PLC ± 1 PLC ±0.25 2 PLC ±0.13 3 PLC ± 4 PLC ± ANGLES ±0 | | PRODUCT SPEC APPLICATION SPEC | |
| MATERIAL | FINISH | WEIGHT | SIZE: A1 CAGE CODE: 00779 DRAWING NO: C=2143280 |
| SEE TABLE | | CUSTOMER DRAWING | SCALE: 4:1 SHEET: 1 OF 1 REV: C |