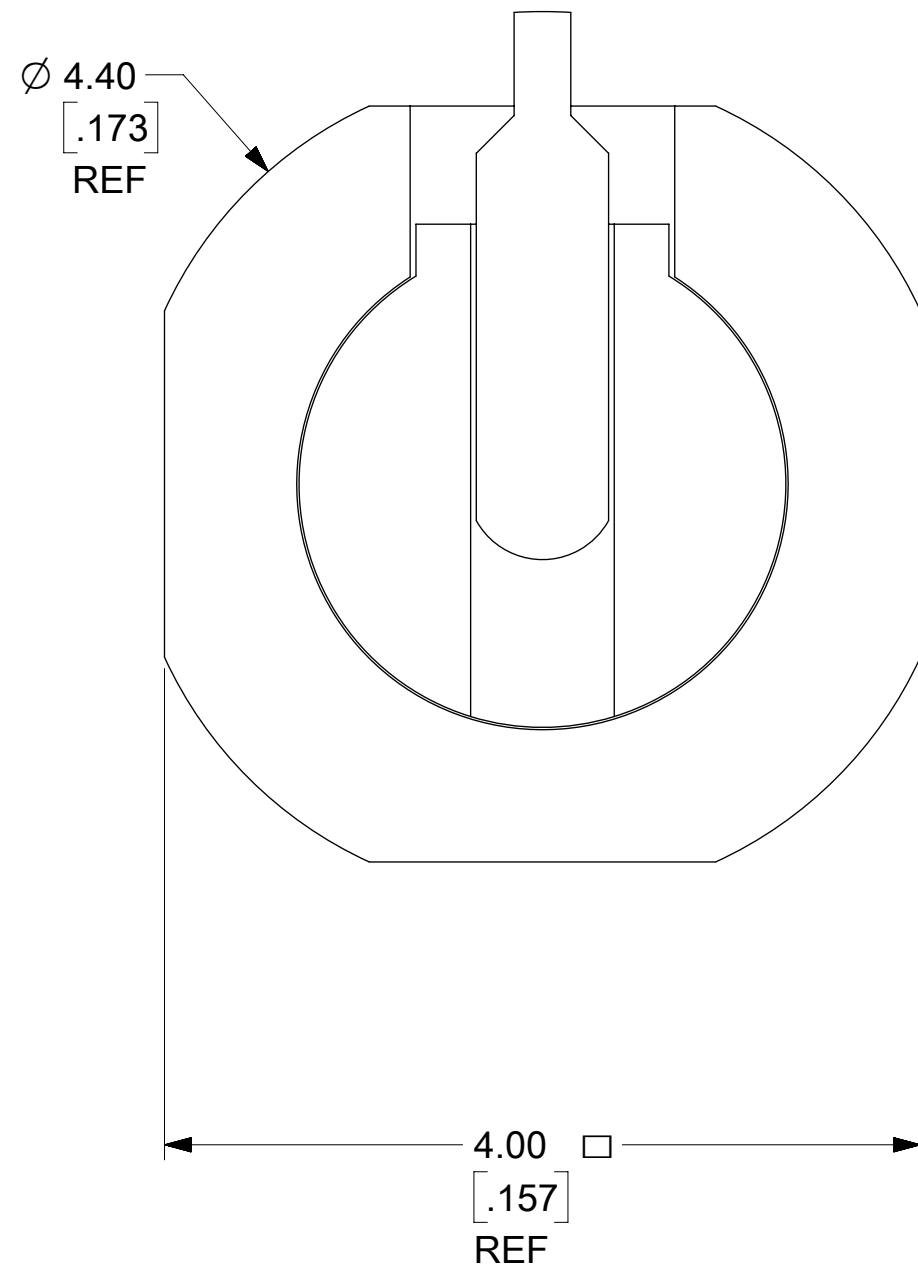
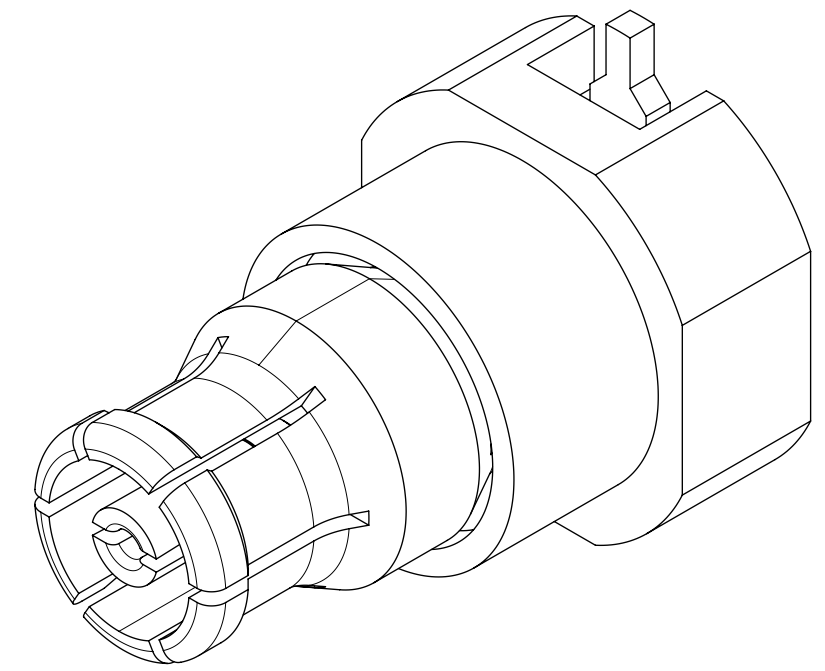


MATERIALS AND FINISHES:

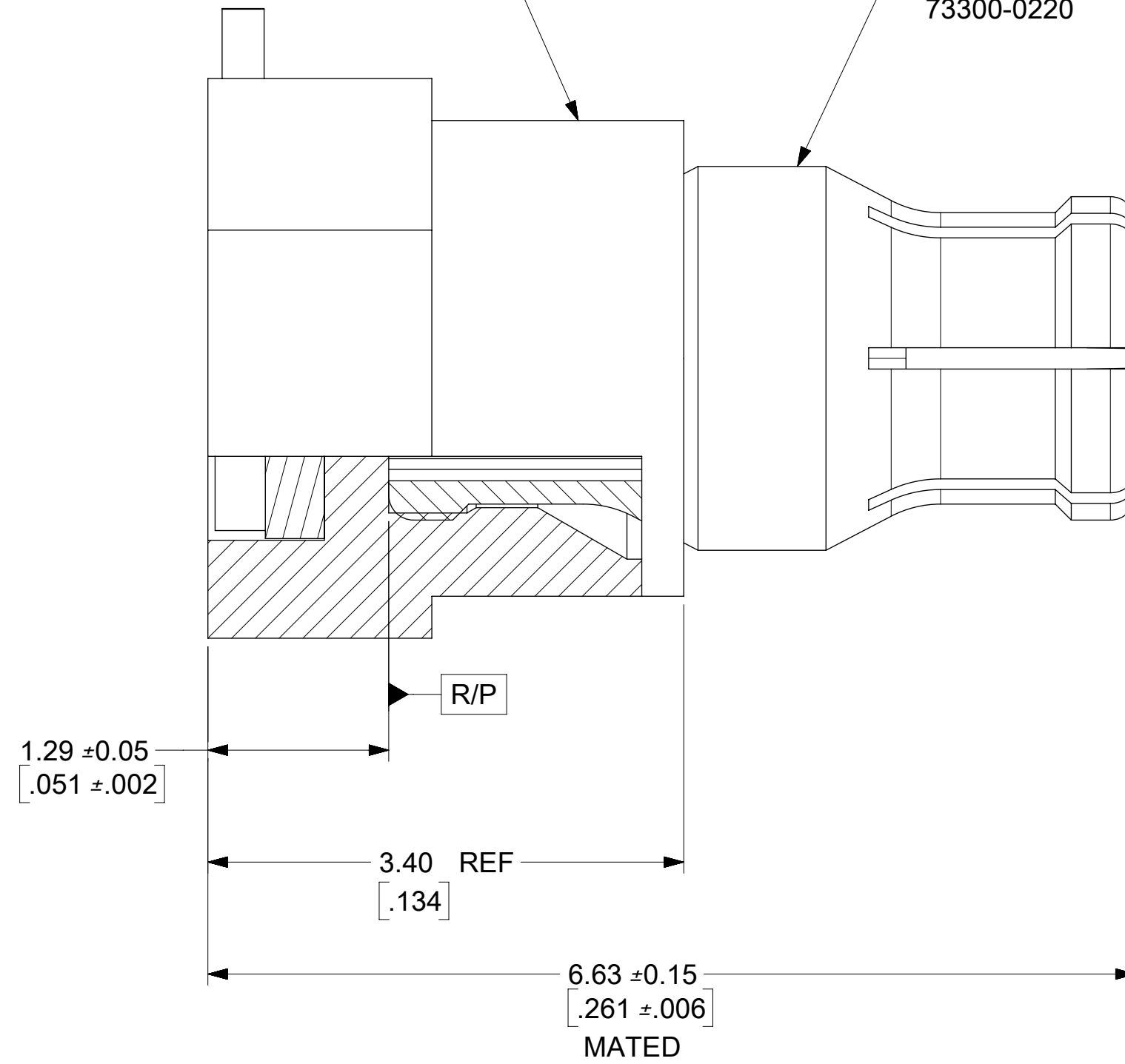
SMPM PCB FULL DETENT RECEPITALCE:  
SEE SD-73300-046

SMPM BULLET:  
SEE SD-73300-022



SMPM FULL DETENT  
RECEPITALCE  
73300-0460

SMPM BULLET  
73300-0220



73300-0572	TAPE AND REEL WITH KAPTON TAPE
73300-0571	TAPE AND REEL (800 PCS)
73300-0570	SMPM PLUG FULL DETENT INTERFACE (TRAY)
PART NO.	DESCRIPTION

SYMBOLS	THIS DRAWING CONTAINS INFORMATION THAT IS PROPRIETARY TO MOLEX ELECTRONIC TECHNOLOGIES, LLC AND SHOULD NOT BE USED WITHOUT WRITTEN PERMISSION			
	DIMENSION UNITS		SCALE	
∇ = 0	MM/IN	NTS		CURRENT REV DESC:
∇ = 0	GENERAL TOLERANCES (UNLESS SPECIFIED)			
∇ = 0		MM	INCH	EC NO: 627990 DRWN: SSSHAH 2019/11/20 CHK'D: BSHAH 2019/12/04 APPR: AROBERTSON 2019/12/05
∇ = 0	4 PLACES	±	±	
∇ = 0	3 PLACES	±	±	INITIAL REVISION: DRWN: JLEE02 2014/11/11 APPR: AROBERTSON 2015/03/27
∇ = 0	2 PLACES	±	±	
∇ = 0	1 PLACE	±	±	SERIES 73300
∇ = 0	0 PLACES	±	±	
∇ = 0	ANGULAR TOL	±	°	THIRD ANGLE PROJECTION
∇ = 0	DRAFT WHERE APPLICABLE MUST REMAIN WITHIN DIMENSIONS			DRAWING C-SIZE

**molex**

SMPM KIT, P SMT PCB FD  
WITH BULLET INSTALLED EWR-13431,  
SMPM-PCB/BULLET

PRODUCT CUSTOMER DRAWING

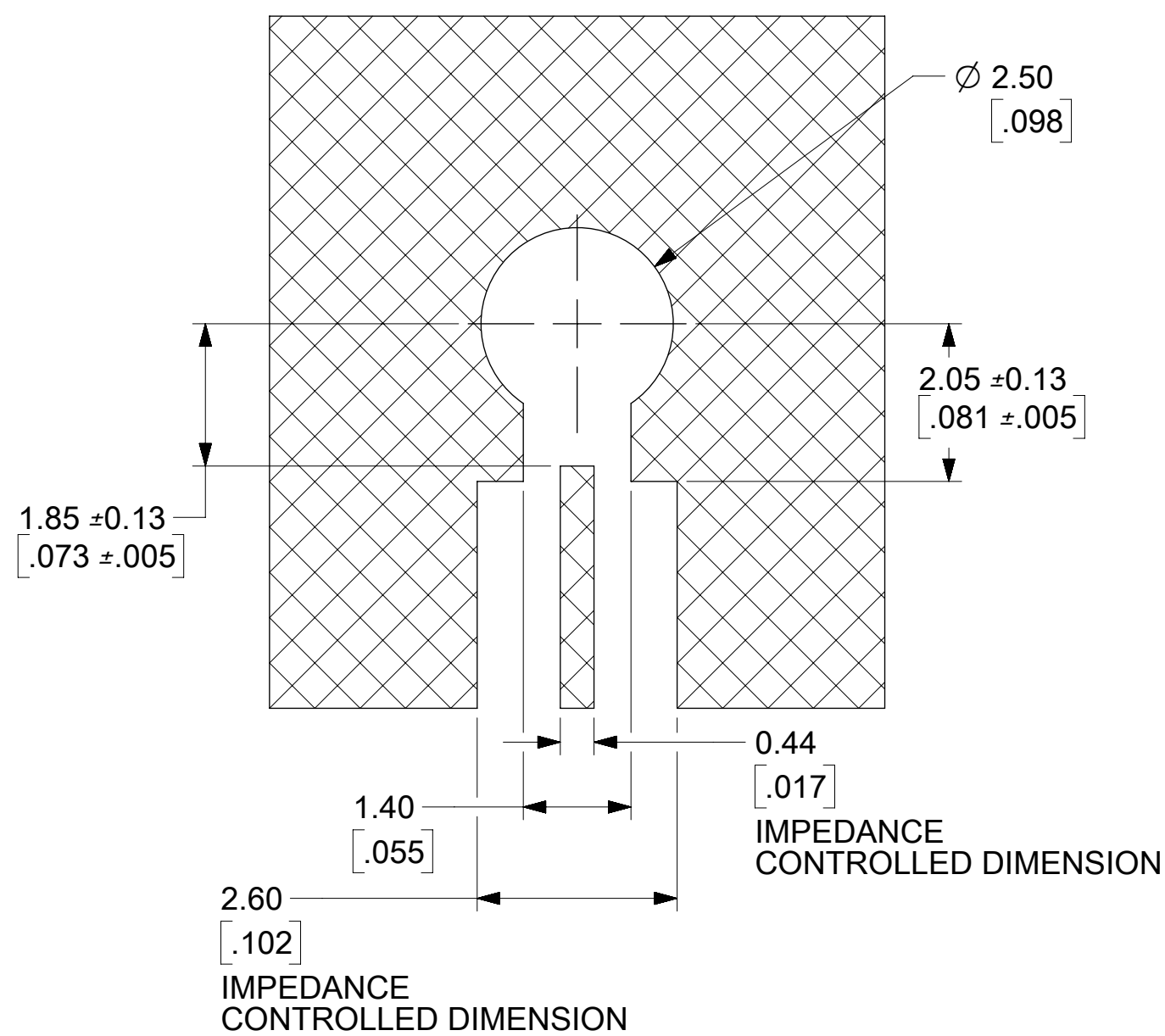
DOCUMENT NUMBER	DOC TYPE	DOC PART	REVISION
SD-73300-057	PSD	001	A2
MATERIAL NUMBER	CUSTOMER	SHEET NUMBER	
SEE TABLE		1 OF 2	

DOCUMENT STATUS	P1	RELEASE DATE	2019/12/05 14:20:27
-----------------	----	--------------	---------------------

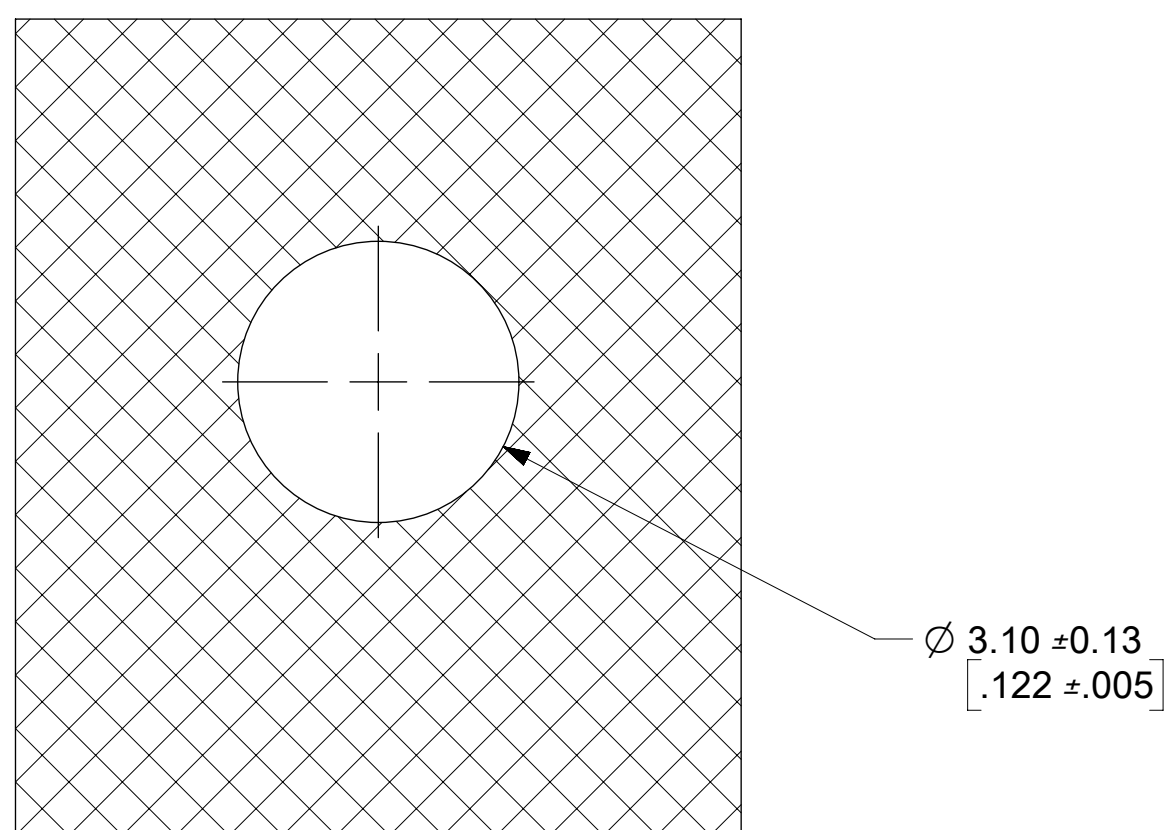
# PCB CONNECTOR LAUNCH / PAD (FOR REFERENCE ONLY)

ALL HATCHED SURFACES SHOWN BELOW ARE COPPER (Cu)

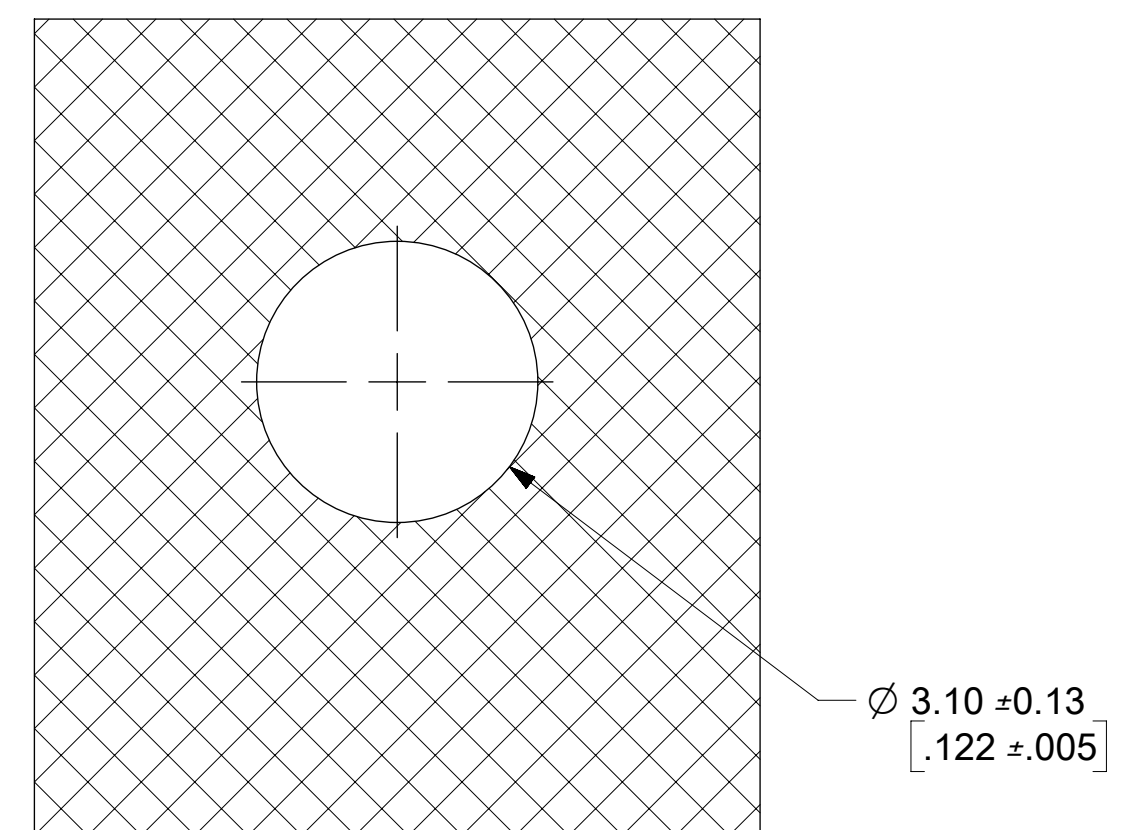
MOUNTING & SIGNAL LAYER  
(LAYER 1)



REFERENCE LAYER  
(LAYER 2)



SUBSEQUENT LAYERS



PCB STACK UP

LAYER	MATERIAL	Dk	THICKNESS (mil)
1	Copper + PLATING		2.1
	FR4	4.3	10.0
2	Copper		0.6
	FR4	4.3	10.0
3	Copper		0.6
	FR4	4.3	10.0
4*	Copper		0.6

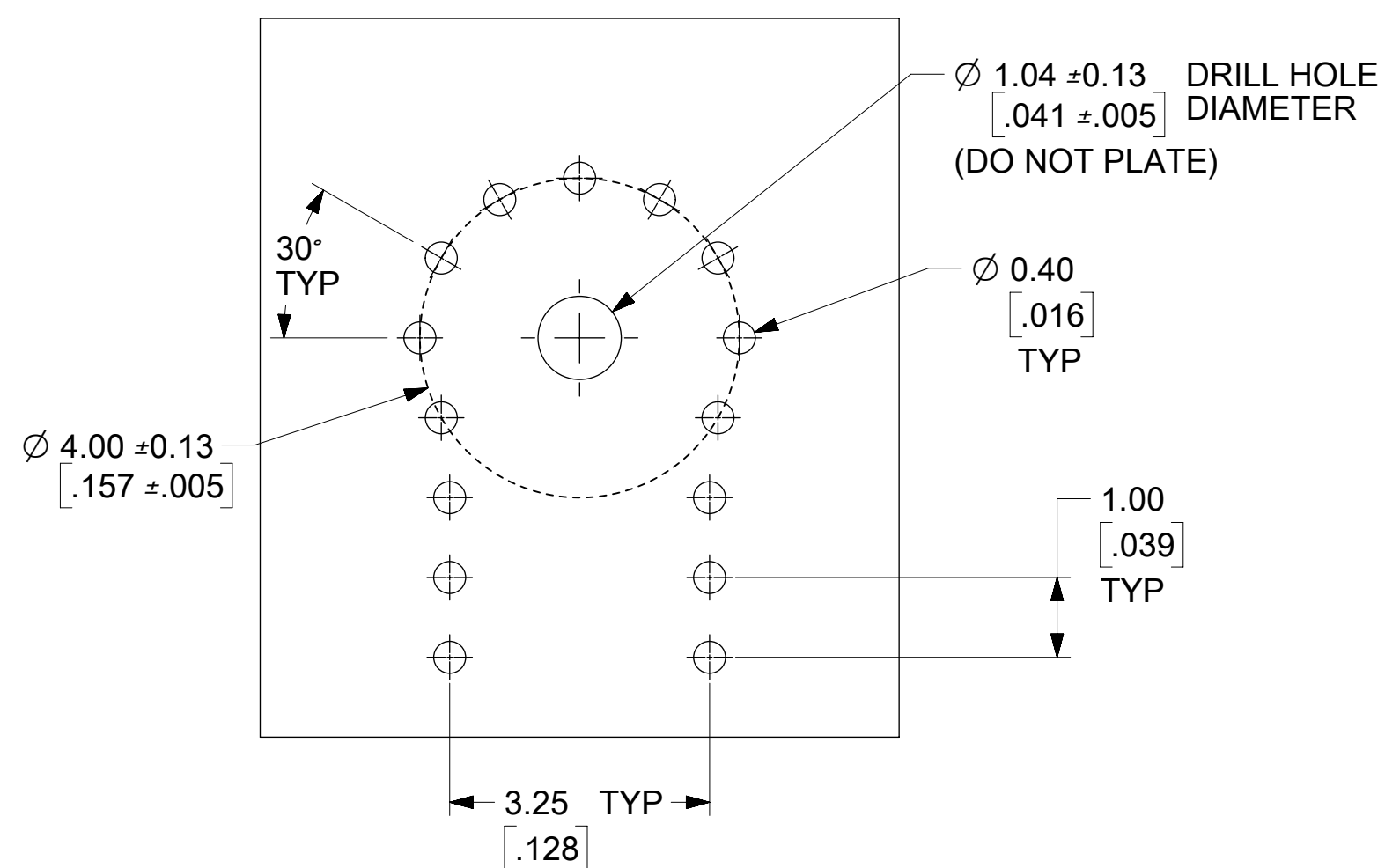
\* SUBSEQUENT LAYERS MAY BE ADDED AS REQUIRED FOR INDIVIDUAL APPLICATIONS

TYPICAL PERFORMANCE CHARACTERISTICS  
WITH CONNECTOR AND PCB LAUNCH SHOWN

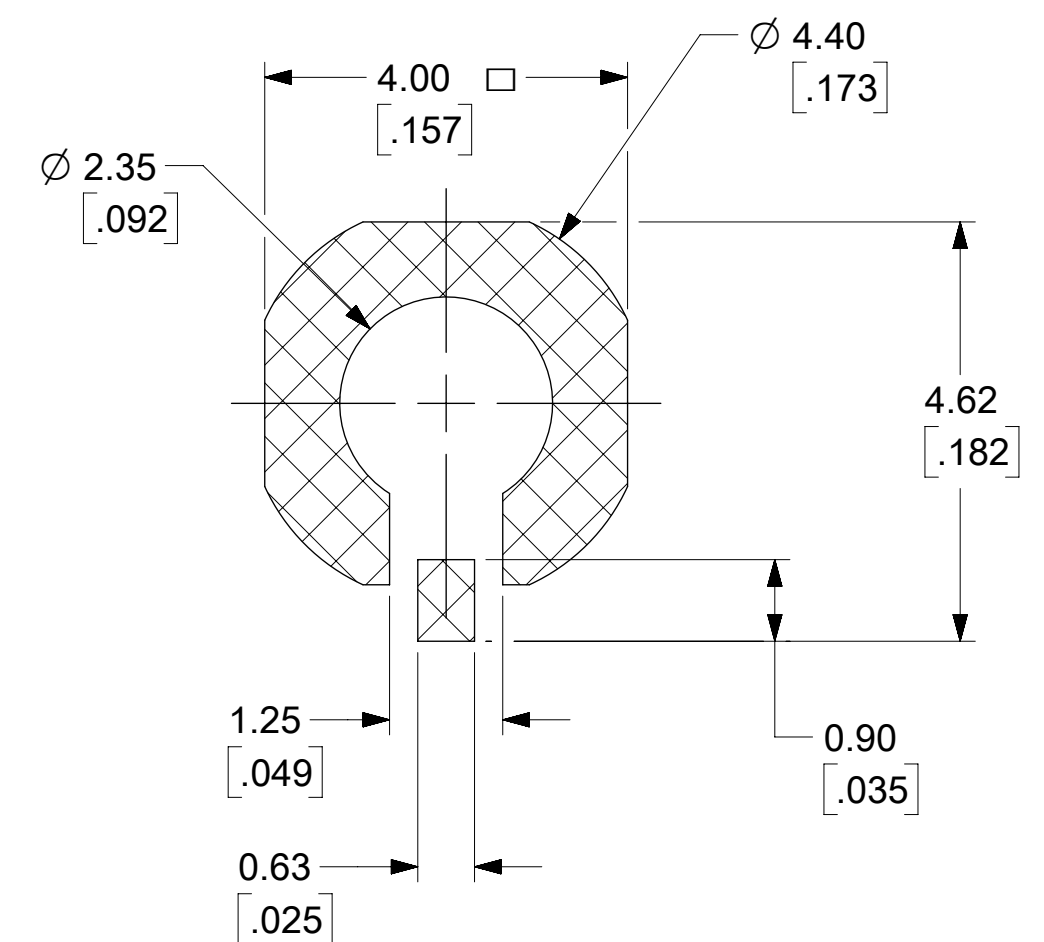
VSWR (FULLY MATED)	FREQUENCY BAND
1.4	DC TO 18 GHz

VARYING PCB STACKUPS AND PCB LAUNCH WILL RESULT IN VARYING RESULTS  
CONTACT MOLEX RF / MICROWAVE FOR APPLICATION SPECIFIC ASSISTANCE

VIAS AND DRILL HOLE



SOLDER MASK



<b>SYMBOLS</b> DIMENSION UNITS: MM/IN SCALE: NTS GENERAL TOLERANCES (UNLESS SPECIFIED): 4 PLACES: ± 3 PLACES: ± 2 PLACES: ± 1 PLACE: ± 0 PLACES: ± ANGULAR TOL: ± ° DRAFT WHERE APPLICABLE MUST REMAIN WITHIN DIMENSIONS THIRD ANGLE PROJECTION DRAWING SERIES: C-SIZE 73300	THIS DRAWING CONTAINS INFORMATION THAT IS PROPRIETARY TO MOLEX ELECTRONIC TECHNOLOGIES, LLC AND SHOULD NOT BE USED WITHOUT WRITTEN PERMISSION CURRENT REV DESC: EC NO: 627990 DRWN: SSSHAH 2019/11/20 CHK'D: BSHAH 2019/12/04 APPR: AROBERTSON 2019/12/05 INITIAL REVISION: DRWN: JLEE02 2014/11/11 APPR: AROBERTSON 2015/03/27		<p>SMPM KIT, P SMT PCB FD WITH BULLET INSTALLED EWR-13431, SMPM-PCB/BULLET</p> <p>PRODUCT CUSTOMER DRAWING</p>	
	DOCUMENT NUMBER: SD-73300-057 DOC TYPE: PSD DOC PART: 001 REVISION: A2	MATERIAL NUMBER: SEE TABLE CUSTOMER: SEE TABLE SHEET NUMBER: 2 OF 2		