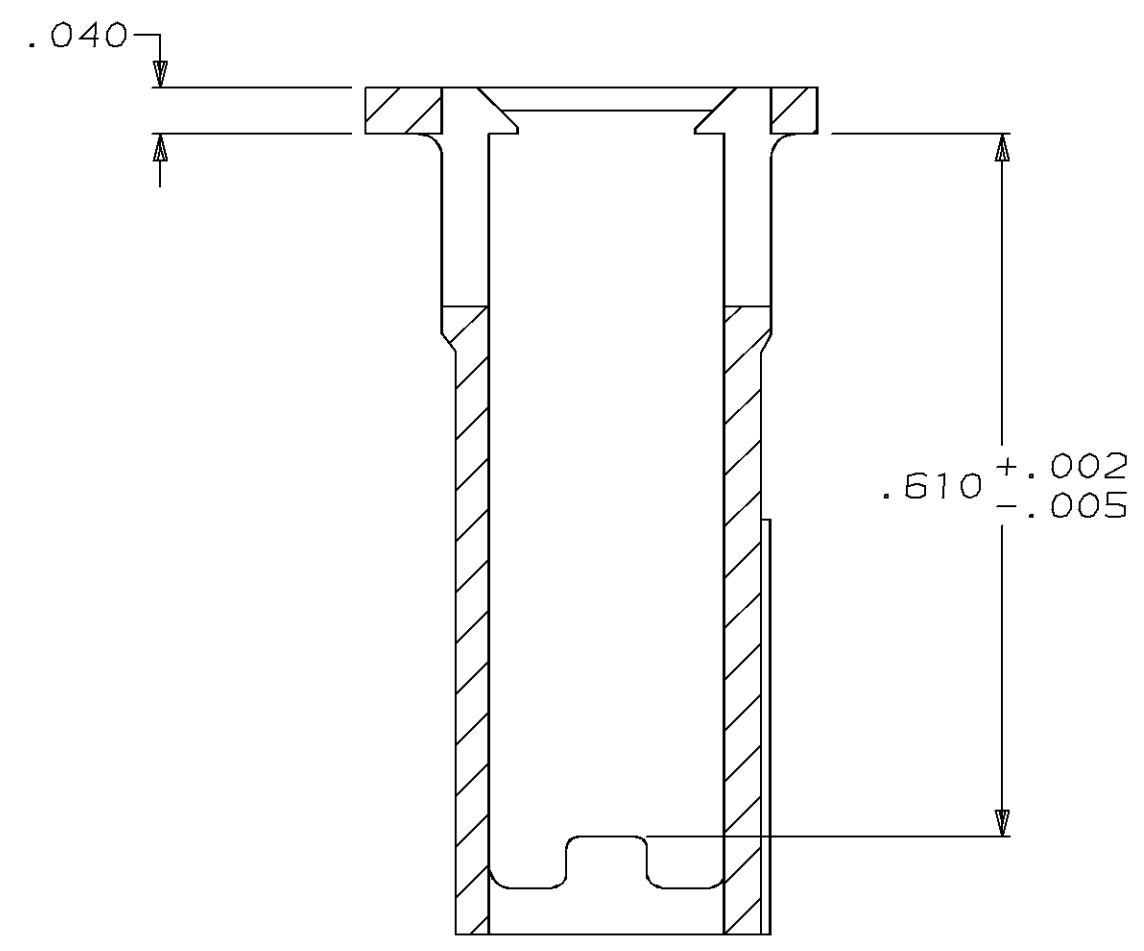
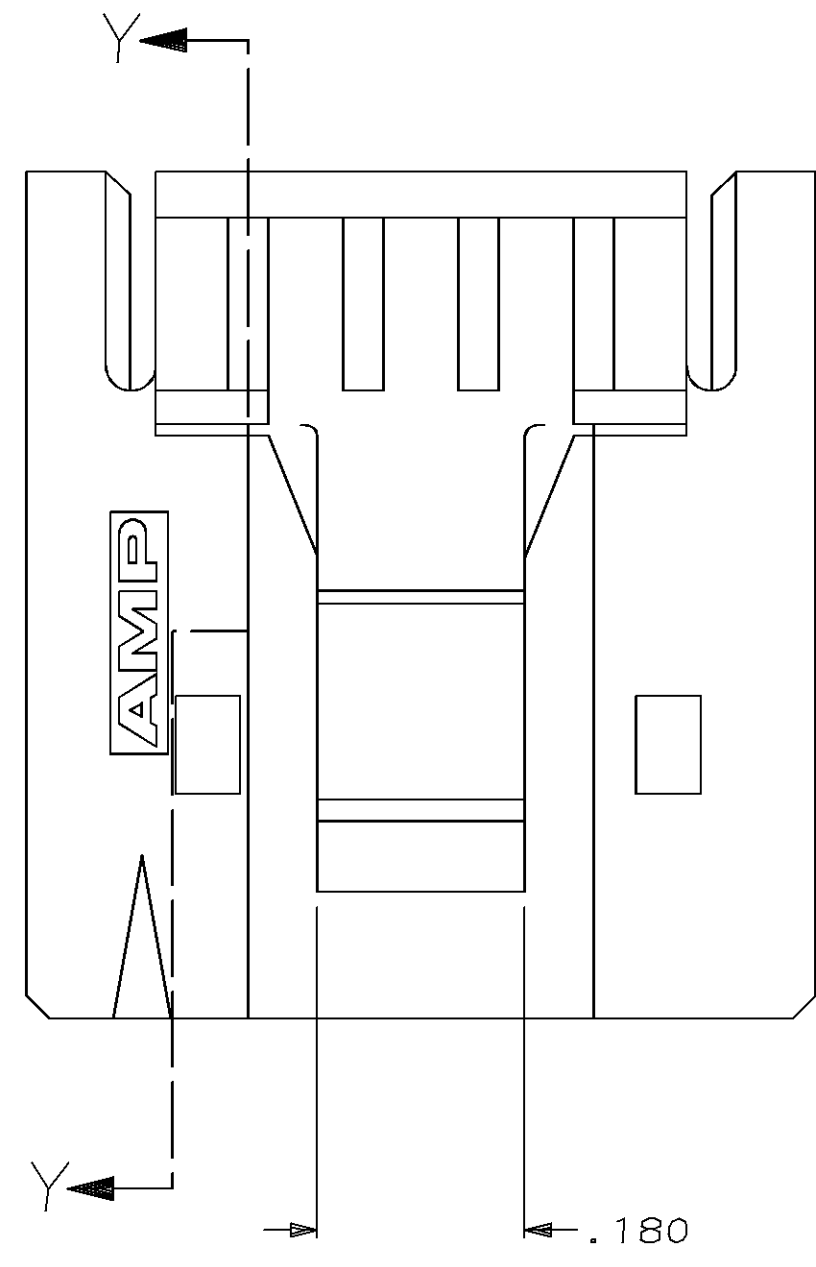
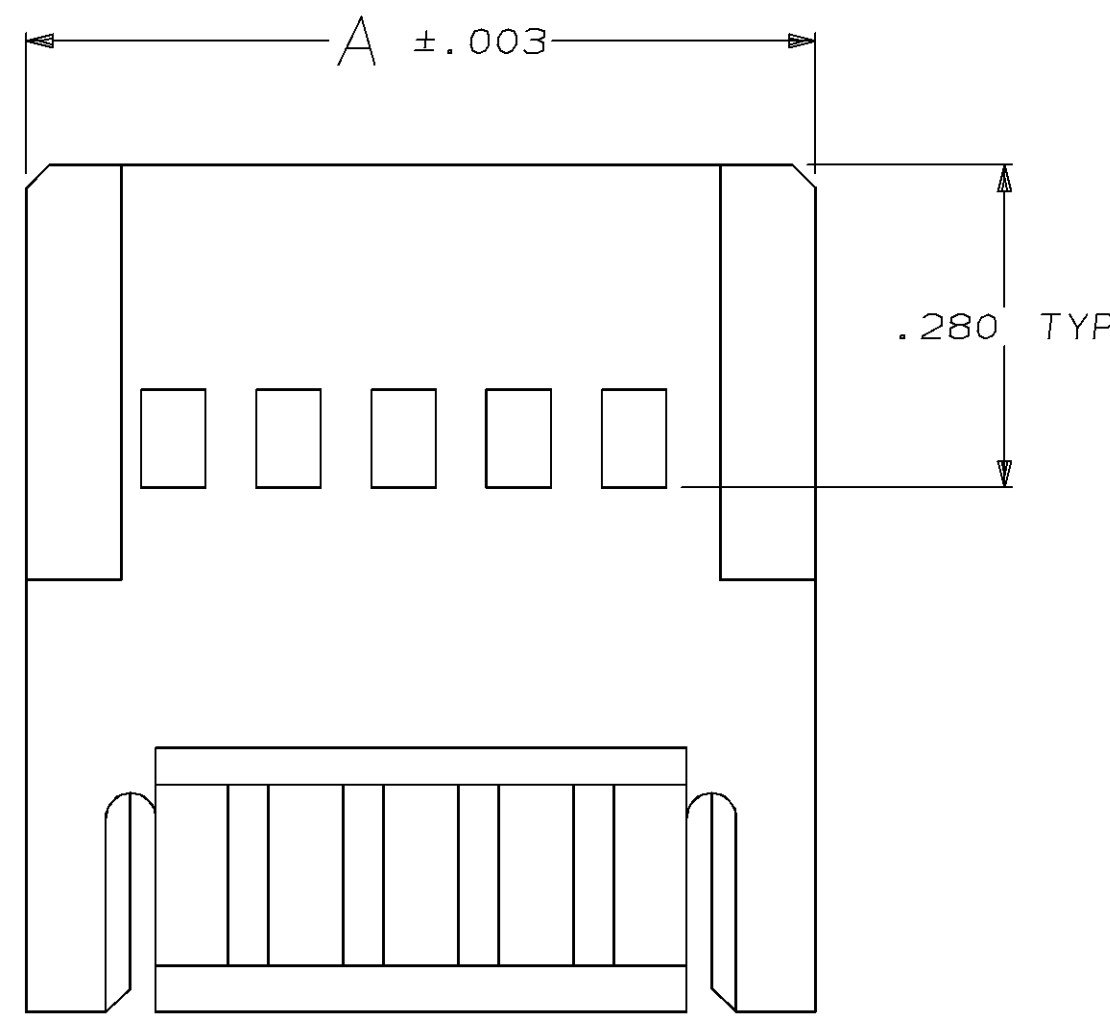
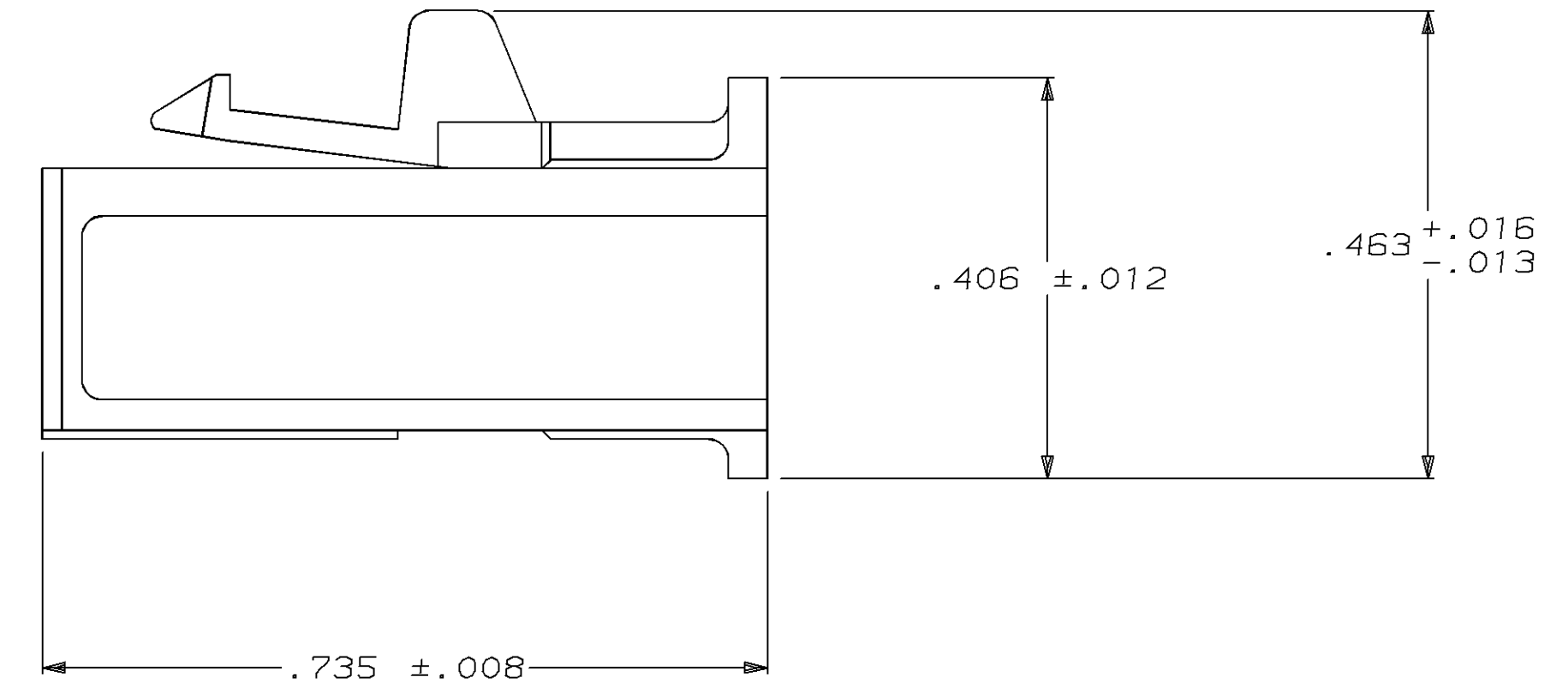
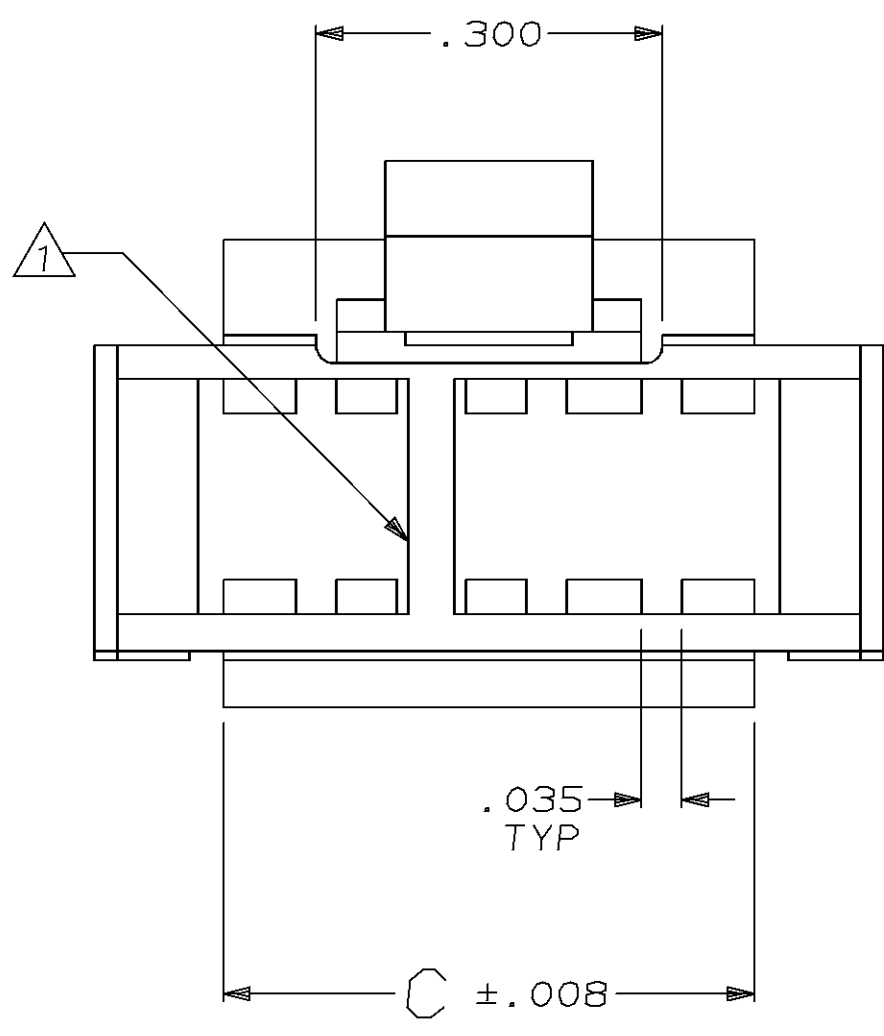


MOD		LOC		DIST		REV		REVISIONS			
34	AD	39	P	F	ZONE	LTR		DESCRIPTION	DATE	APPD	
								RELEASED PR#3007	BM 5-89		
								A REV LOC & DIST AD-4171	3-90	BF	
								B REV PER 0010-0648-94	4-94	JG	



△ SEE TABLE FOR RIB QTY
 2 THIS COUPLING SHROUD IS TO BE USED WITH AMPMODU® MTE RECEPTACLE ASSEMBLIES WITH GUIDE RIBS. THE NUMBER OF POSITIONS LISTED EQUALS THE TOTAL NUMBER OF POSITIONS WHICH CAN BE CONTAINED WITHIN THE COUPLING SHROUD.



1	.460	.685	10	104588-1
RIB QTY	C	A	NO OF POSN	PART NUMBER

UNLESS OTHERWISE SPECIFIED DIMENSIONS ARE IN INCHES TOLERANCES ON:		DR 5-23-89 B MOYER	AMP INCORPORATED Harrisburg, Pa. 17105	
2 PL DEC ±- 3 PL DEC ±.005 ANGLES ±-		CHK 6-12-89 H. MOLL		
MATERIAL: FLAME RETARDANT THERMOPLASTIC, COLOR - BLACK		APPD 6-12-89 C. SINISI	NAME CPLG SHROUD, DBL ROW W/O PLZN, AMPMODU® MTE	
FINISH:		APPD 6-12-89 FLINCHBAUGH	SIZE D	FSCM NO 00779
		PRODUCT SPEC 108-25034	DRAWING NO 104588	
		APPLICATION SPEC 114-25026	SCALE 6:1	SHEET 1 OF 1
		WEIGHT -	CUSTOMER DRAWING	