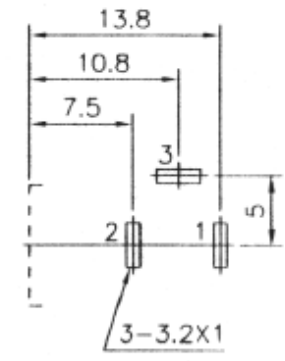
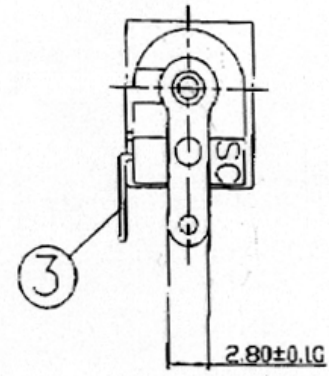
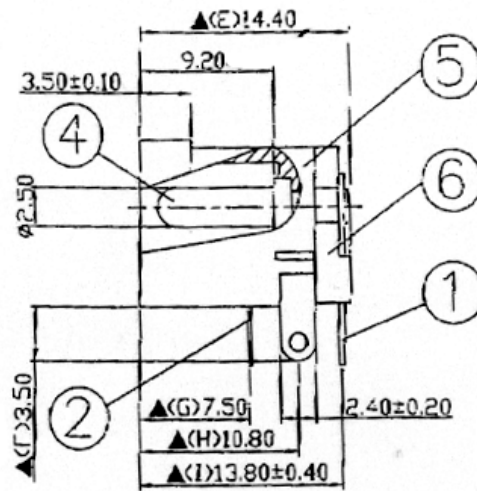
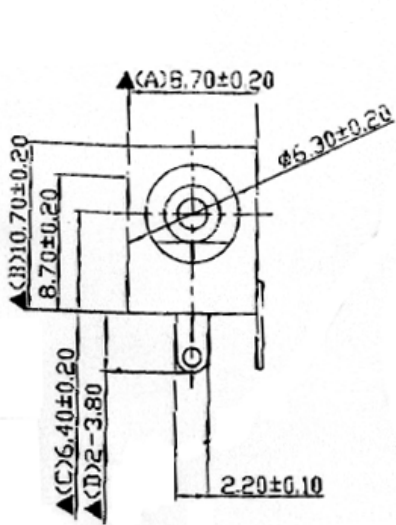
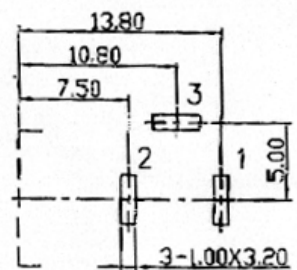


6	Cover	PBT + 30% Fiber Class	1	Black Color
5	Housing	PBT + 30% Fiber Class	1	Black Color
4	Pin (2,5Ø)	Copper	1	Nickel Plated
3	Break Terminal	0.4T Brass	1	Silver Plated
2	Sleeve Spring	0.2 t Phosphor Bronze	1	Silver Plated
1	Pin Terminal	0.4 T Brass	1	Silver Plated
N0	Descriptions	Material	Q'ty	Finish

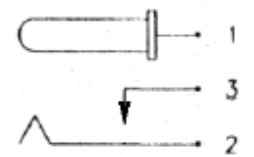
Rev.	Description	Date	Approved
A	Update label	02/20/02	PS
B	Update contact description	03/20/03	PM
C	Update picture, Rfs.4399, JL	09/15/04	DMR



Hole Layout  
Bottom View



Pin Hole Layout  
(Jack Bottom View)



Normally Open  
Contact

Note:

- All dimensions are in mm.
- Specification:
 

Rating	2A, 16 VDC
Withstanding voltage	AC 500V, 60 Hz for 1 min.
Insulation resistance	100M Ohm (min.) at 500V DC
Contact resistance	30m Ohm Max at AC 100mA 1 KHz

<b>GlobTek, Inc.</b>		
186 Veterans Dr. Northvale, NJ 07647		
DWG Title: <b>DC Power Jack 5.5 x 2.5 mm</b>		
DWG No: <b>G-1005B</b>		Rev: 'C'
Date 09/16/04	Init.By: JL Drawn: NF	Approved DMR