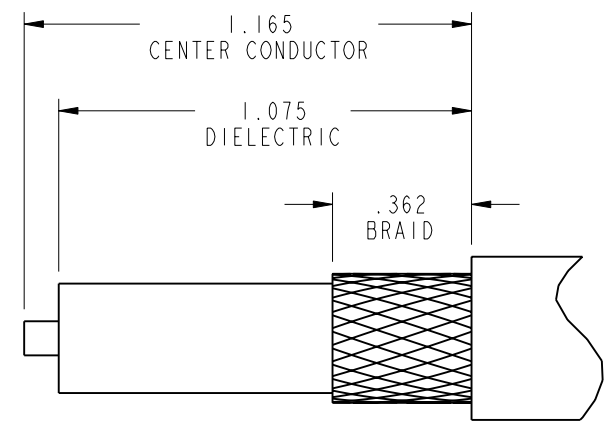
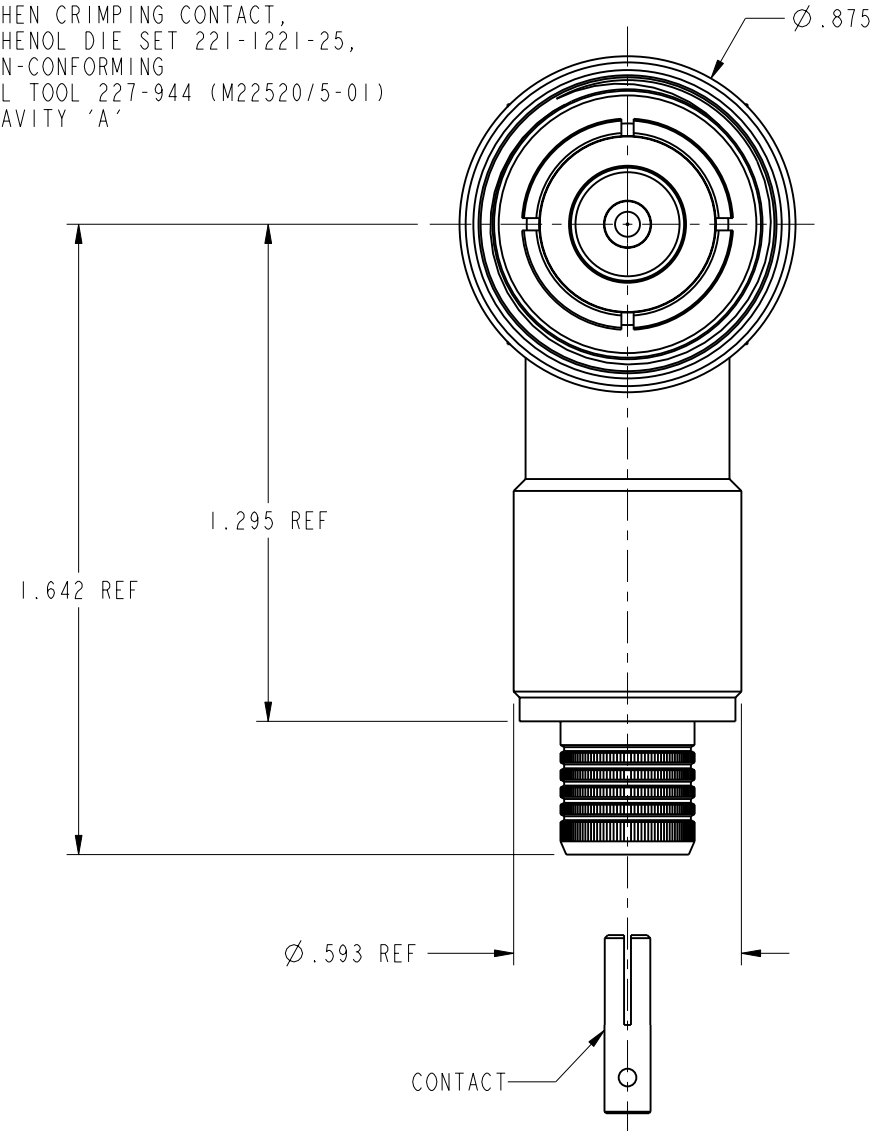


NOTES:

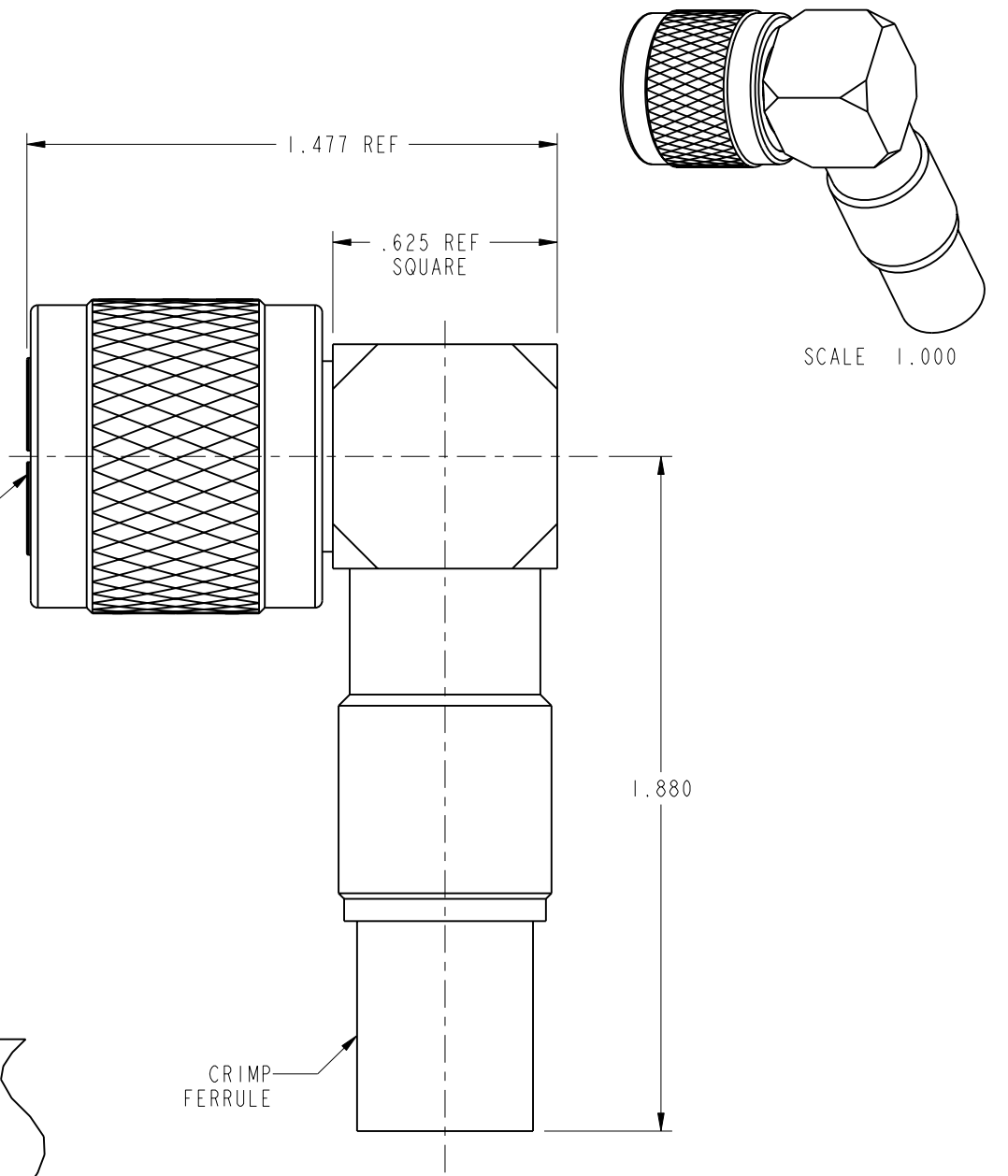
1. MATERIALS AND FINISHES:  
 BODY - BRASS, NICKEL PLATING (.000100 THICK)  
 MALE CONTACT - BRASS, SILVER PLATING (.000200 THICK)  
 FEMALE CONTACT - BERYLLIUM COPPER, SILVER PLATING (.000200 THICK)  
 INSULATOR - PTFE
2. ELECTRICAL:  
 A. IMPEDANCE: 50 OHM  
 B. FREQUENCY RANGE: DC - 4 GHz  
 D. DIELECTRIC WITHSTANDING VOLTAGE: 5000 VRMS, MIN.
3. MECHANICAL:  
 B. TEMPERATURE RANGE: -65° C TO +165° C
4. PACKAGING:  
 A. QUANTITY: SINGLE PACK  
 B. MARKING: BAG TO BE MARKED  
 "AMPHENOL, 82-6316, AND DATE CODE"
5. ASSEMBY PROCEDURE  
 A. TRIM CABLE AS SHOWN  
 B. SOLDER CONTACT TO CABLE. WHEN CRIMPING CONTACT, USE CRIMP FERRULE WITH AMPHENOL DIE SET 221-1221-25, CLOSURE 'B' (.100 HEX) }NON-CONFORMING  
 C. CRIMP FERRULE WITH AMPHENOL TOOL 227-944 (M22520/5-01) AND DIE SET 227-1221-25, CAVITY 'A' (M22520/5-25, CLOSURE 'A')

82-6316		REVISIONS			
DRAWING NO.	REV	DESCRIPTION	DATE	ECO	APPR
THIRD ANGLE PROJ.	A	RELEASE TO MFG	11/1/02	44248	CPM
	B	REMOVED WIRE HOLES FROM COUPLING NUT	11/7/02	44275	MAH
	C	NOTE 5B REMOVED REF FOR SOFT SOLDER	11/21/05	45813	



RECOMMENDED TRIM DIMENSIONS  
SCALE 2.000

INTERFACE PER AMPHENOL SPEC. 349-50551, SEC. 317



**CUSTOMER OUTLINE DRAWING**  
ALL OTHER SHEETS ARE FOR INTERNAL USE ONLY

UNLESS OTHERWISE SPECIFIED, DIMENSIONS ARE IN INCHES AND TOLERANCES ARE: 2 PLACE DECIMAL ±.015 (0,381 mm) 3 PLACE DECIMAL ±.005 (0,127 mm) ANGLES ± 1°	MATERIAL	DRAWN C. McGRATH	DATE 10/17/02	TITLE TYPE "HN" ANGLE PLUG CRIMP TERMINATION RG-214 CABLE		<b>Amphenol RF</b> Danbury, CT, USA Tainan, Taiwan Shenzhen, China <a href="http://www.amphenolrf.com">www.amphenolrf.com</a>	
	REFERENCE EAR# 662 GEN# ASSYMI_HN 611X-4085-100	ENGINEER MIKE HOYACK	DATE 10/17/02				
NOTICE - These drawings, specifications, or other data (1) are, and remain the property of Amphenol Corp. (2) must be returned upon request; and (3) are confidential and not to be disclosed to any person other than those to whom they are given by Amphenol Corp. The furnishing of these drawings, specifications, or other data by Amphenol Corp., or to any other person to anyone for any purpose is not to be regarded by implication or otherwise in any manner licensing, granting rights or permitting such holder or any other person to manufacture, use or sell any product, process or design, patented or otherwise, that may in any way be related to or disclosed by said drawings, specifications, or other data.		CAD FILE I:\HN\82-6316	CODE ID 74868	DWG SIZE B	DRAWING NO. 82-6316	SCALE: 2.0:1	SHEET 2 OF 3
							REV C