

DO NOT SCALE FROM THIS PRINT

**USB-A-S-X-X-TH-X**

TYPE -A

CONFIGURATION -S: SINGLE

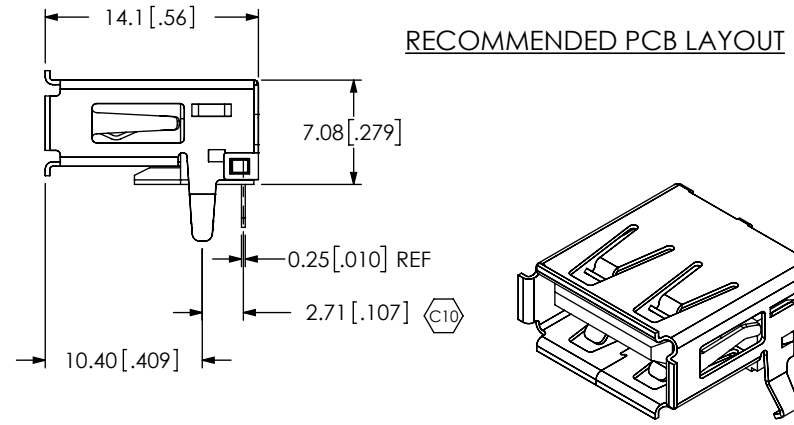
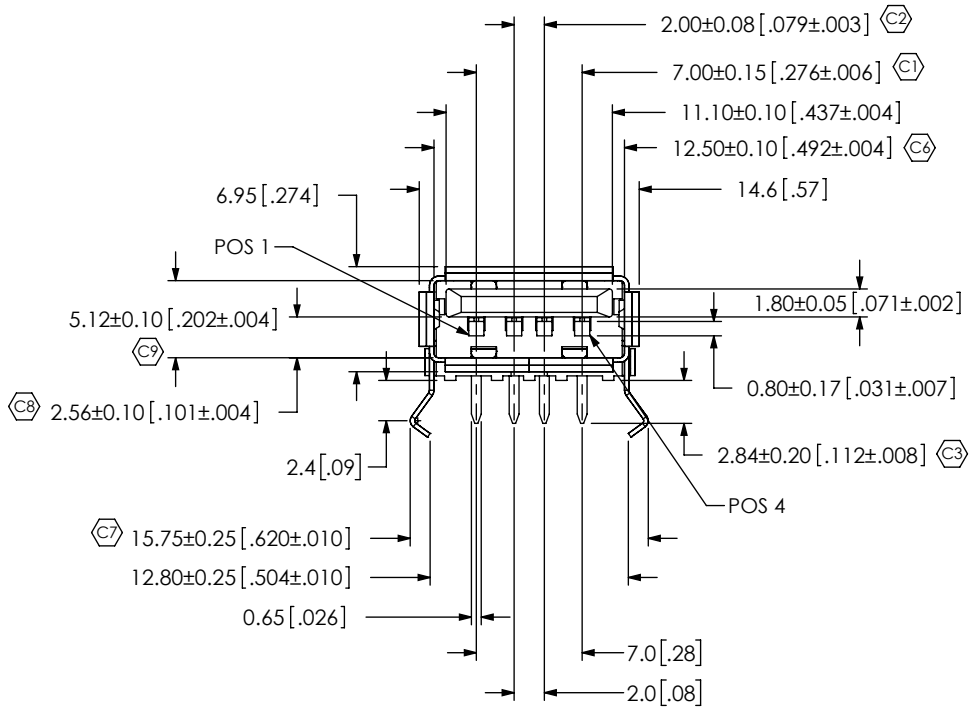
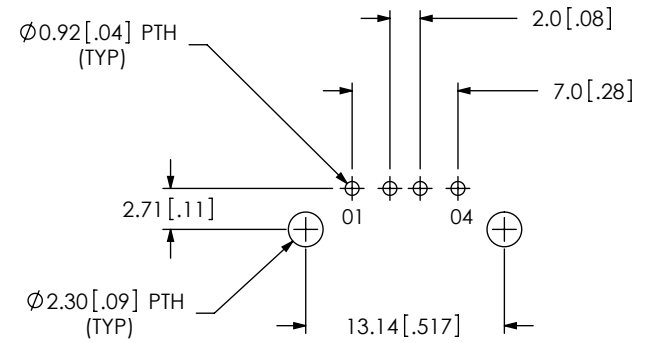
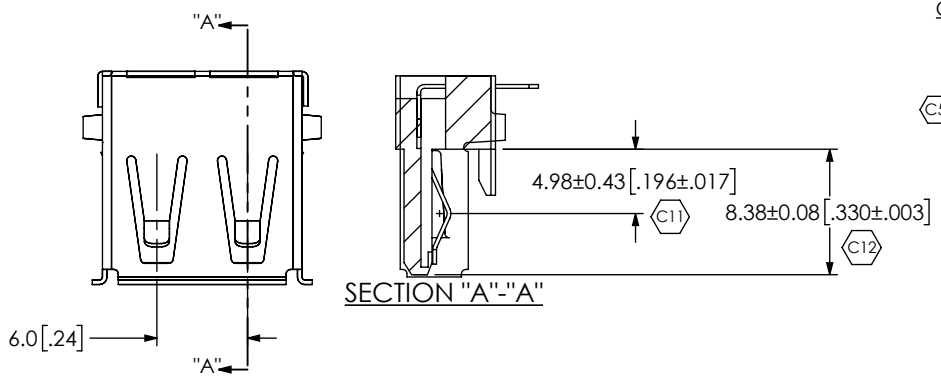
PLATING SPECIFICATION

-F: GOLD FLASH ON MATING AREA  
MATTE TIN ON TAILS  
-S: SELECTIVE, .000030 GOLD ON MATING AREA  
MATTE TIN ON TAILS

E&I OPTION -R: RoHS COMPLIANT

TERMINATION -TH: THRU HOLE

COLOR -B: BLACK  
-W: WHITE



- NOTES:
1. C REPRESENTS A CRITICAL DIMENSION.
  2. NOTE DELETED.
  3. PARTS TO BE PACKAGED IN TRAYS

UNLESS OTHERWISE SPECIFIED, DIMENSIONS ARE IN MM[IN].

TOLERANCES ARE:

DECIMALS	ANGLES
.X: ±.3 [0.1]	2°
.XX: ±.13 [0.05]	
.XXX: ±.051 [0.020]	

**PROPRIETARY NOTE**

THIS DOCUMENT CONTAINS CONFIDENTIAL AND PROPRIETARY INFORMATION AND ALL DESIGN, MANUFACTURING, REPRODUCTION, USE, PATENT RIGHTS AND SALES RIGHTS ARE EXPRESSLY RESERVED BY SAMTEC, INC. THIS DOCUMENT SHALL NOT BE DISCLOSED, IN WHOLE OR PART, TO ANY UNAUTHORIZED PERSON OR ENTITY NOR REPRODUCED, TRANSFERRED OR INCORPORATED IN ANY OTHER PROJECT IN ANY MANNER WITHOUT THE EXPRESS WRITTEN CONSENT OF SAMTEC, INC.

**samtec**

520 PARK EAST BLVD, NEW ALBANY, IN 47150  
PHONE: 812-944-6733 FAX: 812-948-5047  
e-Mail: info@SAMTEC.com code: 55322

**MATERIAL:** DO NOT SCALE DRAWING SHEET SCALE: 2:1

INSULATOR: PBT, (RATED UL 94V-0)  
CONTACT: PHOSPHOR BRONZE  
SHIELD: BRASS, NICKEL PLATED

MAX FLASH ALLOWED: .05  
MAX GATE VESTIGE: .05

DESCRIPTION: USB A, SINGLE, THRU HOLE

DWG. NO. **USB-A-S-X-X-TH-X**

BY: TIM P. 1/11/06 SHEET 1 OF 1