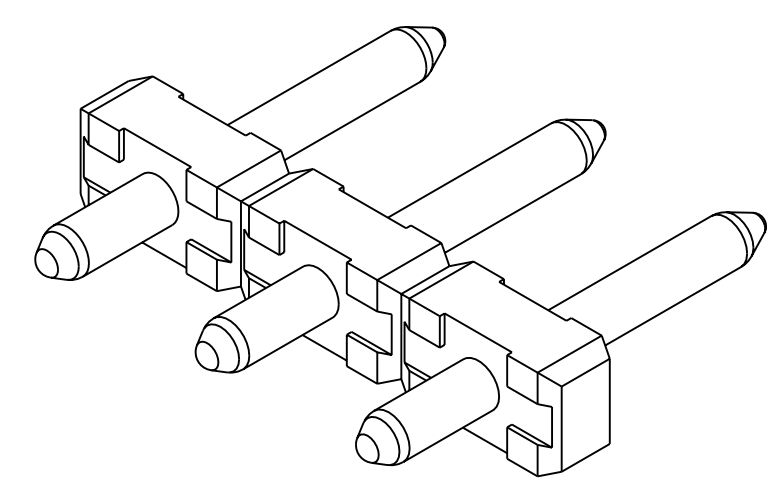
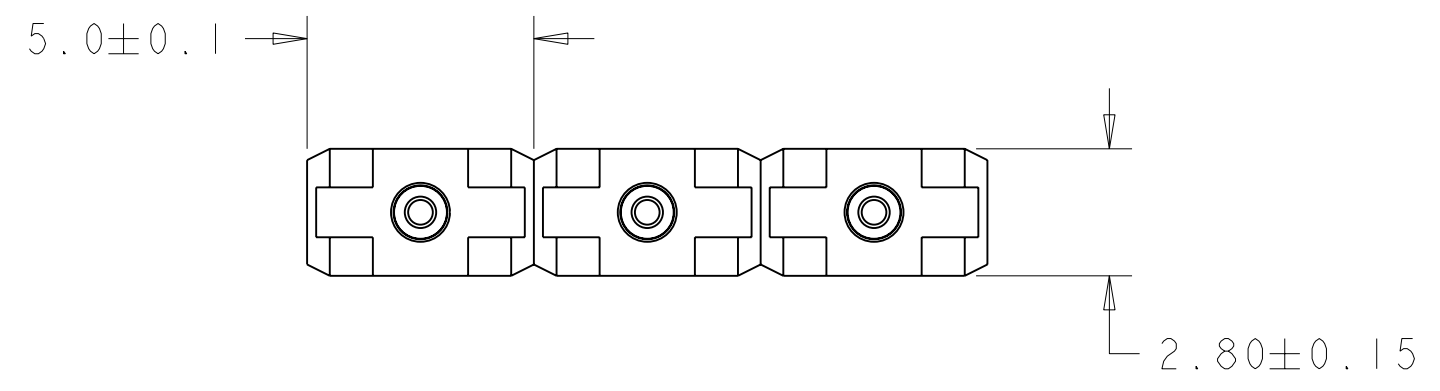


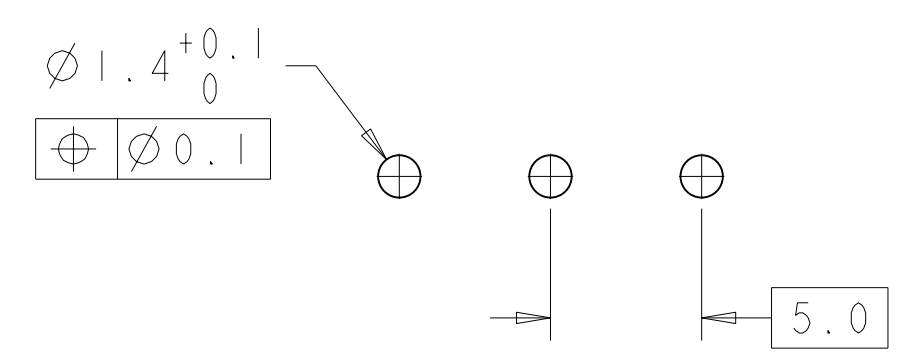
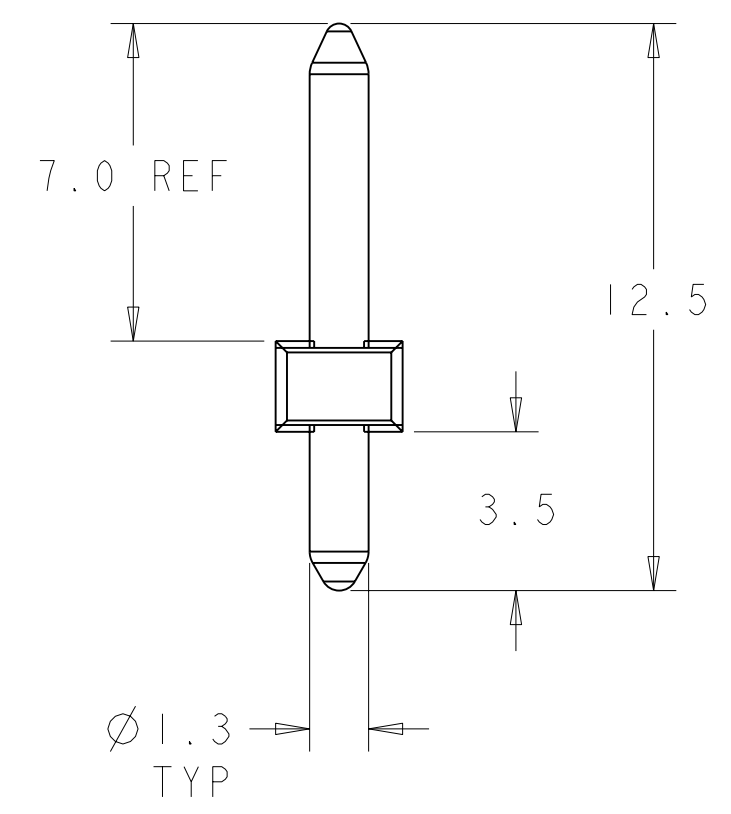
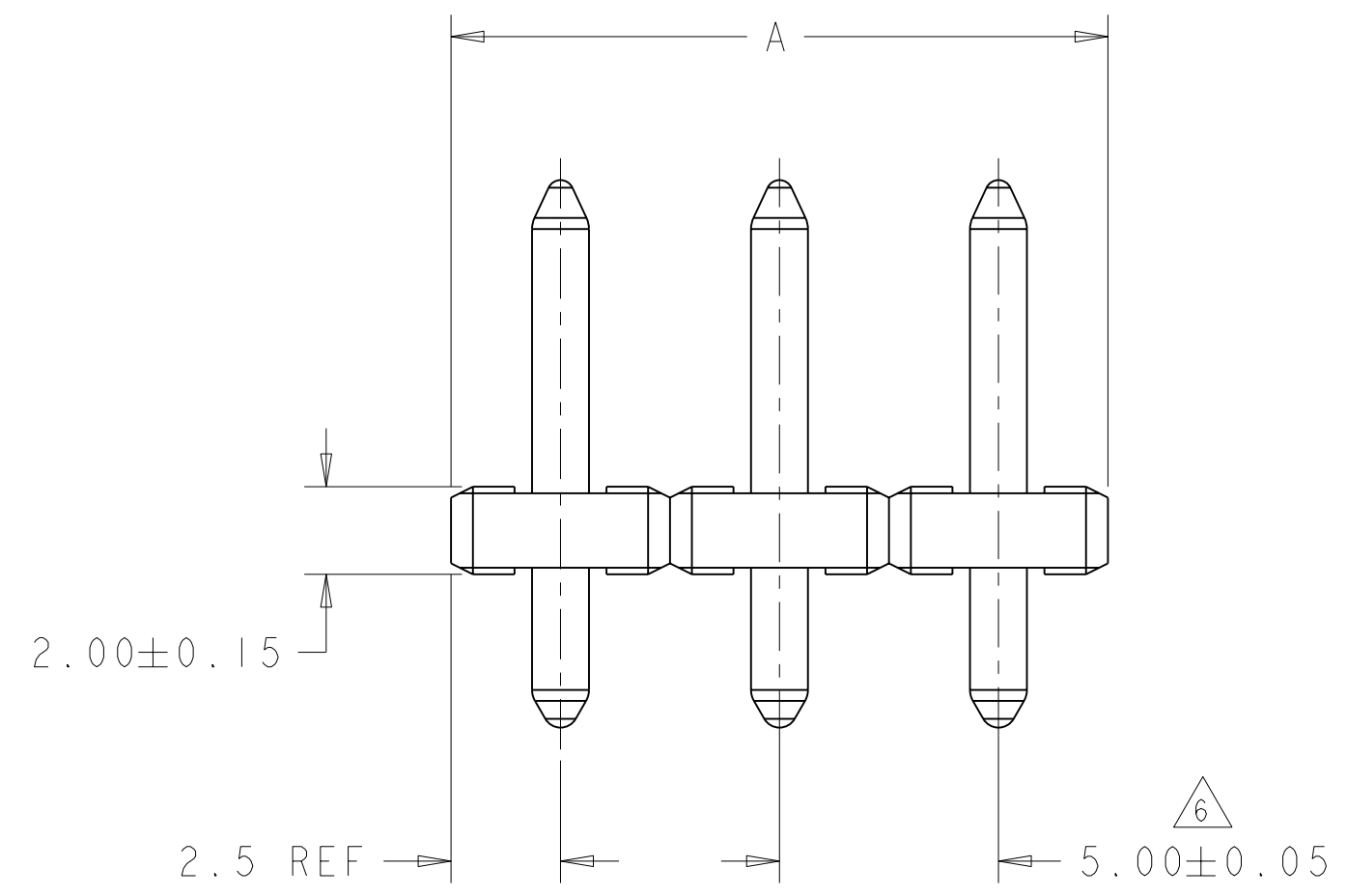
THIS DRAWING IS UNPUBLISHED. RELEASED FOR PUBLICATION 20  
 © COPYRIGHT 20 BY TYCO ELECTRONICS CORPORATION. ALL RIGHTS RESERVED.

LOC		DIST		REVISIONS			
P	LTR	DESCRIPTION	DATE	DWN	APVD		
	A	RELEASED	19JAN2006	SW	CR		



1776708-3 AS SHOWN

- 1. MATERIALS AND FINISH:  
 HOUSING: PA 6-6, UL 94-V0, COLOR: BLUE.  
 TERMINAL: BRASS, PLATING: TIN PLATED.
- 2. SUITABLE FOR 1,6-2,4mm PC BOARD THICKNESS.
- 3. END-TO-END STACKABLE WITHOUT LOSS OF CENTERLINE SPACING.
- 4. RECOGNIZED UNDER THE COMPONENT PROGRAM OF UNDERWRITERS LABORATORIES INC. FILE N° E60677.
- 5. IMQ CERTIFICATE WITH SURVEILLANCE IN CONFORMITY WITH IEC 998-1/998-2-1.
- 6. NOT CUMULATIVE TOLERANCE.



RECOMMENDED PC BOARD LAYOUT

15.0	3	1776708-3
10.0	2	1776708-2
A	NO OF POSN	PART NUMBER

<small>THIS DRAWING IS A CONTROLLED DOCUMENT FOR TYCO ELECTRONICS CORPORATION. IT IS SUBJECT TO CHANGE AND THE CONTROLLING ENGINEERING ORGANIZATION SHOULD BE CONTACTED FOR THE LATEST REVISION.</small>		DWN	S. WELDON	8JAN2006	<b>BUCHANAN</b> Tyco Electronics Harrisburg, PA 17105-3608
DIMENSIONS: mm		CHK	C. RICHARD	8JAN2006	
TOLERANCES UNLESS OTHERWISE SPECIFIED: 0 PLC ± .3 1 PLC ± .3 2 PLC ± .25 3 PLC ± . 4 PLC ± . ANGLES ± 2		APVD	C. RICHARD	8JAN2006	
MATERIAL		PRODUCT SPEC	108-20166	NAME	
FINISH		APPLICATION SPEC	114-20079	SIZE	A2
CUSTOMER DRAWING		WEIGHT	-	CAGE CODE	00779
SCALE 6:1		DRAWING NO	C=1776708	RESTRICTED TO	-
SHEET 1 OF 1		REV A		SCALE 6:1 SHEET 1 OF 1 REV A	