

SN54125, SN54126, SN54LS125A, SN54LS126A, SN74125, SN74126, SN74LS125A, SN74LS126A QUADRUPLE BUS BUFFERS WITH 3-STATE OUTPUTS

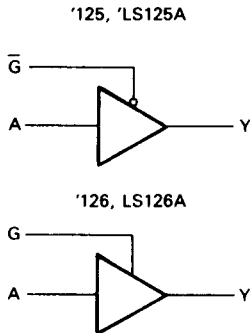
DECEMBER 1983 — REVISED MARCH 1988

- Quad Bus Buffers
- 3-State Outputs
- Separate Control for Each Channel

description

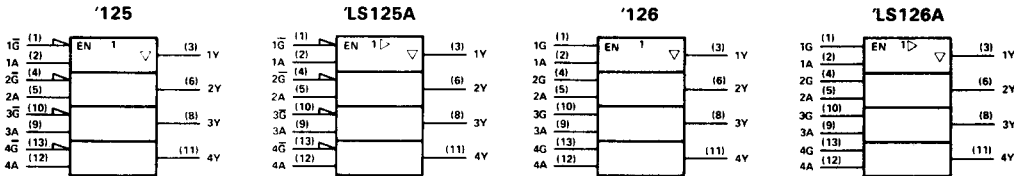
These bus buffers feature three-state outputs that, when enabled, have the low impedance characteristics of a TTL output with additional drive capability at high logic levels to permit driving heavily loaded bus lines without external pull-up resistors, when disabled, both output transistors are turned off presenting a high-impedance state to the bus so the output will act neither as a significant load nor as a driver. The '125 and 'LS125A outputs are disabled when \overline{G} is high. The '126 and 'LS126A outputs are disabled when G is low.

logic diagram (each gate)



positive logic $Y = A$

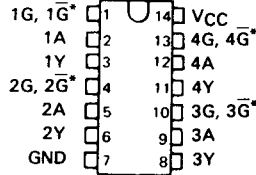
logic symbols†



† These symbols are in accordance with ANSI/IEEE Std. 91-1984 and IEC Publication 617-12. Pin numbers shown are for D, J, N, and W packages.

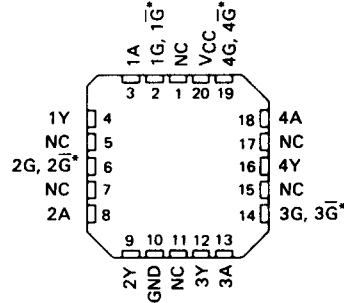
SN54125, SN54126, SN54LS125A,
SN54LS126A . . . J OR W PACKAGE
SN74125, SN74126 . . . N PACKAGE
SN74LS125A, SN74LS126A . . . D OR N PACKAGE

(TOP VIEW)



SN54LS125A, SN54LS126A . . . FK PACKAGE

(TOP VIEW)



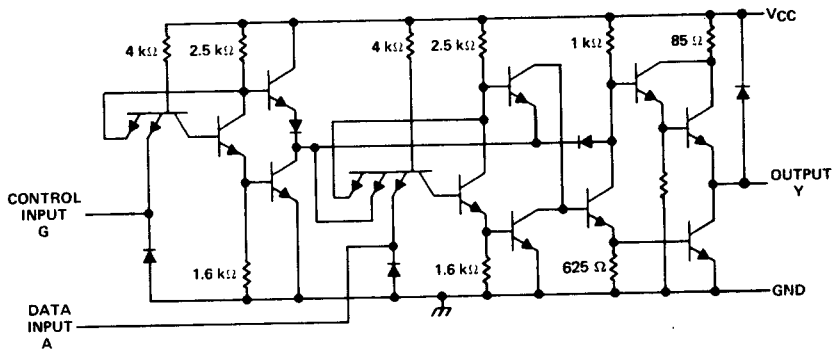
* \overline{G} on '125 and 'LS125A; G on 126 and 'LS126A

NC — No internal connection

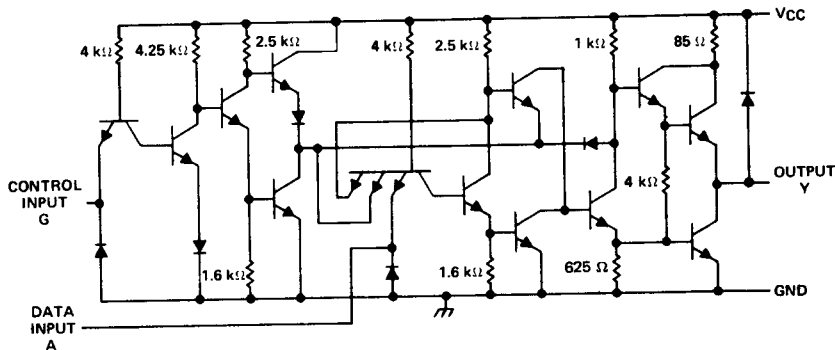
2
TTL Devices

SN54125, SN54126, SN74125, SN74126 QUADRUPLE BUS BUFFERS WITH 3-STATE OUTPUTS

schematics (each gate)



'125 CIRCUITS



'126 CIRCUITS

absolute maximum ratings over operating free-air temperature range (unless otherwise noted)

Supply voltage, VCC (See Note 1)	7 V
Input voltage	5.5 V
Operating free-air temperature range: SN54'	-55°C to 125°C
SN74'	0°C to 70°C
Storage temperature range	-65°C to 150°C

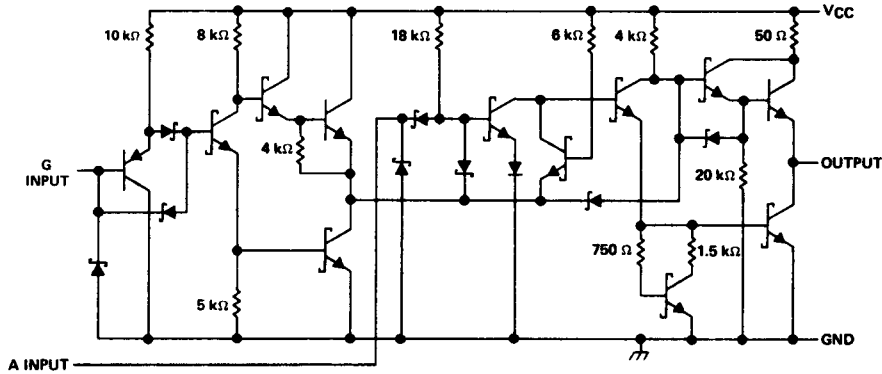
NOTE 1: Voltage values are with respect to network ground terminal.

2

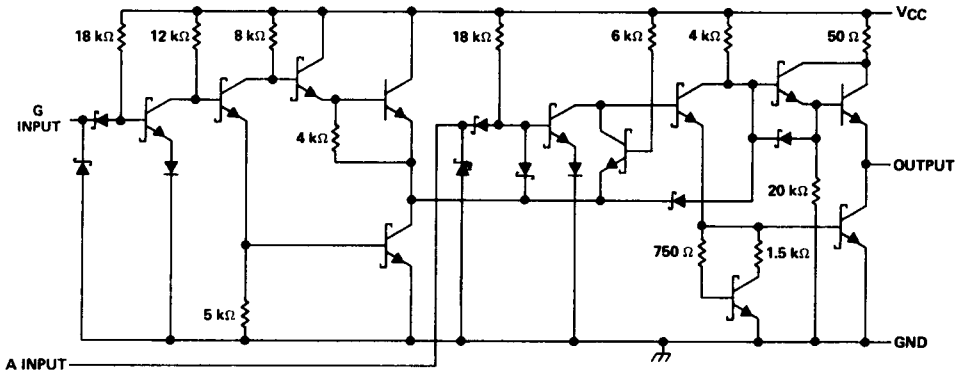
TTL Devices

SN54LS125A, SN54LS126A, SN74LS125A, SN74LS126A QUADRUPLE BUS BUFFERS WITH 3-STATE OUTPUTS

schematics (each gate)



'LS125A CIRCUITS



'LS126A CIRCUITS

Resistor values shown are nominal.

absolute maximum ratings over operating free-air temperature range (unless otherwise noted)

Supply voltage, V_{CC} (see Note 1)	7 V
Input voltage	7 V
Operating free-air temperature range: SN54'	-55°C to 125°C
SN74'	0°C to 70°C
Storage temperature range	-65°C to 150°C

NOTE 1: Voltage values are with respect to network ground terminals.

SN54125, SN54126, SN74125, SN74126 QUADRUPLE BUS BUFFERS WITH 3-STATE OUTPUTS

recommended operating conditions

	SN54125, SN54126			SN74125, SN74126			UNIT
	MIN	NOM	MAX	MIN	NOM	MAX	
V _{CC} Supply voltage	4.5	5	5.5	4.75	5	5.25	V
V _{IH} High-level input voltage	2			2			V
V _{IL} Low-level input voltage	0.8			0.8			V
I _{OH} High-level output current	-2			-5.2			mA
I _{OL} Low-level output current	16			16			mA
T _A Operating free-air temperature	-55	125		0	70		°C

electrical characteristics over recommended operating free-air temperature range (unless otherwise noted)

PARAMETER	TEST CONDITIONS †			SN54125, SN54126			SN74125, SN74126			UNIT
				MIN	TYP ‡	MAX	MIN	TYP ‡	MAX	
V _{IK}	V _{CC} = MIN, I _I = -12 mA			-1.5			-1.5			V
V _{OH}	V _{CC} = MIN, V _{IH} = 2 V, V _{IL} = 0.8 V			I _{OH} = -2 mA			2.4 3.1			V
				I _{OH} = -5.2 mA						
V _{OL}	V _{CC} = MIN, V _{IH} = 2 V, I _{OL} = 16 mA			0.4			0.4			V
I _{OZ}	V _{CC} = MAX, V _{IH} = 2 V, V _{IL} = 0.8 V			V _O = 2.4 V			40			μA
				V _O = 0.4 V			-40			
I _I	V _{CC} = MAX, V _I = 5.5 V			1			1			mA
I _{IH}	V _{CC} = MAX, V _I = 2.4 V			40			40			μA
I _{IL}	V _{CC} = MAX, V _I = 0.4 V			-1.6			-1.6			mA
I _{OS} §	V _{CC} = MAX			-30	-70		-28	-70		mA
I _{CC}	V _{CC} = MAX, (see Note 2)			'125			32	54		mA
				'126			36	62		

† For conditions shown as MIN or MAX, use the appropriate value specified under recommended operating conditions.

‡ All typical values are at V_{CC} = 5 V, T_A = 25°C.

§ Not more than one output should be shorted at a time.

NOTE 2: Data inputs = 0 V; output control = 4.5 V for '125 and 0 V for '126.

switching characteristics, V_{CC} = 5 V, T_A = 25°C (see note 3)

PARAMETER	TEST CONDITIONS		SN54/74125			SN54/74126			UNIT
			MIN	TYP	MAX	MIN	TYP	MAX	
t _{PLH}	R _L = 400 Ω, C _L = 50 pF		8	13		8	13		ns
t _{PHL}			12	18		12	18		ns
t _{PZH}			11	17		11	18		ns
t _{PZL}			16	25		16	25		ns
t _{PHZ}	R _L = 400 Ω, C _L = 5 pF		5	8		10	16		ns
t _{PLZ}			7	12		12	18		ns

NOTE 3: Load circuits and voltage waveforms are shown in Section 1.

2
TTL Devices

SN54LS125A, SN54LS126A, SN74LS125A, SN74LS126A QUADRUPLE BUS BUFFERS WITH 3-STATE OUTPUTS

recommended operating conditions

	SN54LS125A SN54LS126A			SN74LS125A SN74LS126A			UNIT
	MIN	NOM	MAX	MIN	NOM	MAX	
V _{CC} Supply voltage	4.5	5	5.5	4.75	5	5.25	V
V _{IH} High-level input voltage	2			2			V
V _{IL} Low-level input voltage			0.7			0.8	V
I _{OH} High-level output current			-1			-2.6	mA
I _{OL} Low-level output current			12			24	mA
T _A Operating free-air temperature	-55		125	0		70	°C

electrical characteristics over recommended operating free-air temperature range (unless otherwise noted)

PARAMETER	TEST CONDITIONS†		SN54LS125A SN54LS126A			SN74LS125A SN74LS126A			UNIT
			MIN	TYP‡	MAX	MIN	TYP‡	MAX	
V _{IK}	V _{CC} = MIN,	I _I = -18 mA			-1.5			-1.5	V
V _{OH}	V _{CC} = MIN, V _{IH} = 2 V	V _{IL} = 0.7 V, I _{OH} = -1 mA	2.4						V
		V _{IL} = 0.8 V, I _{OH} = -2.6 mA				2.4			V
V _{OL}	V _{CC} = MIN, V _{IH} = 2 V	V _{IL} = 0.7 V, I _{OL} = 12 mA	0.25			0.4			V
		V _{IL} = 0.8 V, I _{OL} = 12 mA				0.25			0.4
		V _{IL} = 0.8 V, I _{OL} = 24 mA				0.35			0.5
I _{OZ}	V _{CC} = MAX, V _{IH} = 2 V	V _{IL} = 0.7 V	20						μA
		V _O = 2.4 V	-20						
		V _O = 0.4 V				20			
I _I	V _{CC} = MAX, V _I = 7 V		0.1			0.1			mA
		V _{CC} = MAX, V _I = 2.7 V	20			20			μA
I _{IH}	V _{CC} = MAX, V _I = 0.4 V	†LS125A-G inputs	-0.2			-0.2			mA
		†LS125A-A inputs; †LS126A All inputs	-0.4			-0.4			mA
I _{OS} §	V _{CC} = MAX		-40	-225	-40	-225		mA	
I _{CC}	V _{CC} = MAX, (see Note 2)	†LS125A	11			11			20
		†LS126A	12			12			22

† For conditions shown as MIN or MAX, use the appropriate value specified under recommended operating conditions.

‡ All typical values are at V_{CC} = 5 V, T_A = 25 °C.

§ Not more than one output should be shorted at a time, and duration of the short circuit should not exceed one second.

NOTE 2: Data inputs = 0 V; Output controls = 4.5 V for †LS125A and 0 V for †LS126A.

switching characteristics, V_{CC} = 5 V, T_A = 25 °C (see note 3)

PARAMETER	TEST CONDITIONS		SN54/74LS125A			SN54/74LS126A			UNIT
			MIN	TYP	MAX	MIN	TYP	MAX	
t _{PLH}	R _L = 667 Ω,	C _L = 45 pF	9	15		9	15	ns	
t _{PHL}			7	18		8	18	ns	
t _{PZH}			12	20		16	25	ns	
t _{PZL}			15	25		21	35	ns	
t _{PHZ}	R _L = 667 Ω,	C _L = 5 pF	20			25			ns
t _{PLZ}			20			25			ns

NOTE 3: Load circuits and voltage waveforms are shown in Section 1.

2
TTL Devices