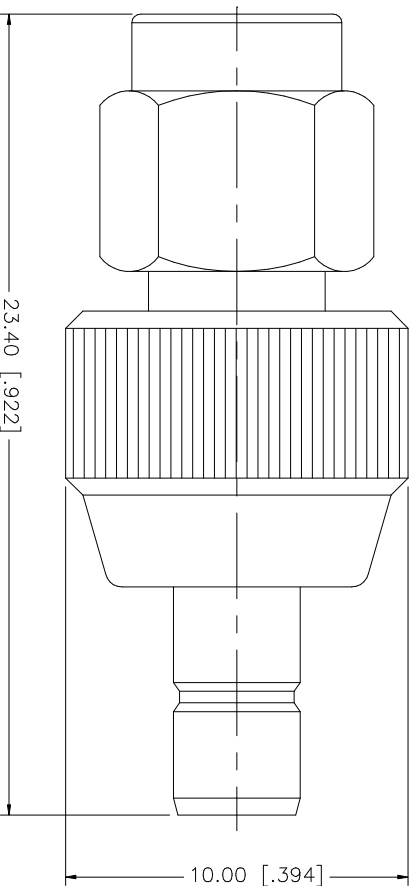


REV.	DATE	DESCRIPTION
A	01/30/04	UPDATE DRAWING FORMAT
B	06/21/05	MODIFY PART DESCRIPTION



QTY	FINISH	MATERIAL	DESCRIPTION
1	GOLD	BRASS	CONTACT PIN
1	NATURAL	TEFLON	INSULATOR
1	GOLD	BRASS	BODY
			DESCRIPTION

UNLESS OTHERWISE SPECIFIED, DIMENSIONS ARE IN INCHES UNLESS INDICATED OTHERWISE IN PART NUMBER AND FOR CUSTOMER REFERENCE ONLY.	
UNLESS OTHERWISE SPECIFIED, TOLERANCES FOR MILLINETER ARE:	
0.5 - 8mm	± 0.20mm
8 - 30mm	± 0.40mm
30 - 120mm	± 0.50mm
UNLESS OTHERWISE SPECIFIED, TOLERANCES FOR INCHES ARE:	
.020 - .315	± 0.007"
.315 - 1.180	± 0.015"
1.180 - 4.724	± 0.020"
DO NOT SCALE DRAWING	

APPROVALS	DATE
DRAWN G.R.S.	06/21/05
CHECKED	
ISSUED	
SHEET 1 OF 1	

CAD FILE C:/242/242144.DWG	DWG. NO. 242144.DWG	REV. B	SIZE A	SCALE NA
----------------------------	---------------------	--------	--------	----------

PART DESCRIPTION	
SMA PLUG TO SMB JACK ADAPTER	
PART NO.	242144

# Amphenol Connex