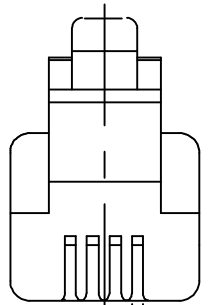
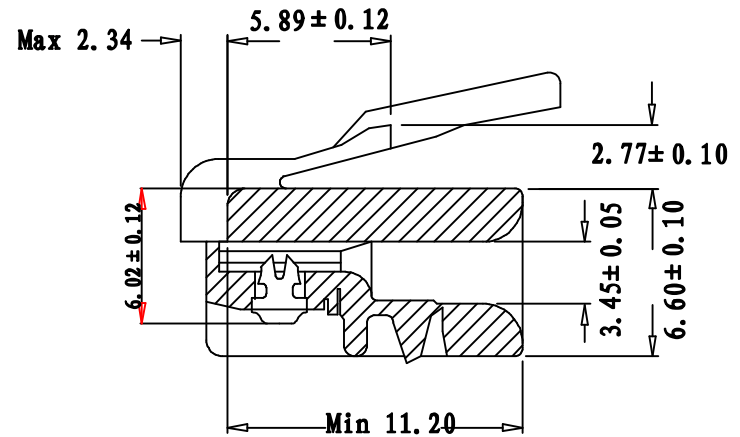


**MP4P4C R**



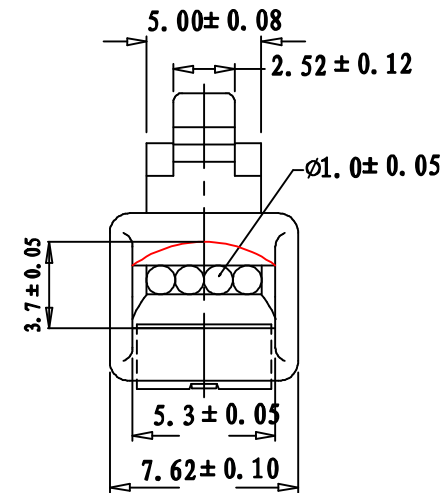
0.56 ± 0.05



## SPECIFICATIONS

HOUSING	POLY CARBONATE(PC) UL94V2 NO. E919153
CONTACT BLADE	HIGH STRENGTH COPPER ALLOY
MATERIAL	100 MICRON NICKEL UNDERPLATED
PLATING TYPE	8% PHOSPHOR BRONZE
PLATING THICKNESS:	(FU")GOLD PLATED
OPERATING TEMP	-40°C TO 125°C
CURRENT RATING	250V AC MAX AT 2A
DIELECTRIC	500V AC
INSULATION RES	500MEGAOHMS

COMPLIES WITH FCC68/F



"RoHS Compliance"

REVISE	VERSION	LT#	CONTENTS
12-02-23	A/0	T0222B	NEW DRAWING

CnC Tech, LLC			
Industrial Cable and Connector Technology			
REV.NO:	ISSUE (A/0)	CUSTOMER:L-671	
DRAWING NO:	671-361-RU-001	PART NO: 5010-RU0044-001	
ITEM NO:	MP4P4C PLUG (R)		
UNIT:MM	DRAWN:	ENGINEER:	SALES DEPT:
DATE: 2012-02-23	QA:	SALES MANAGER:	