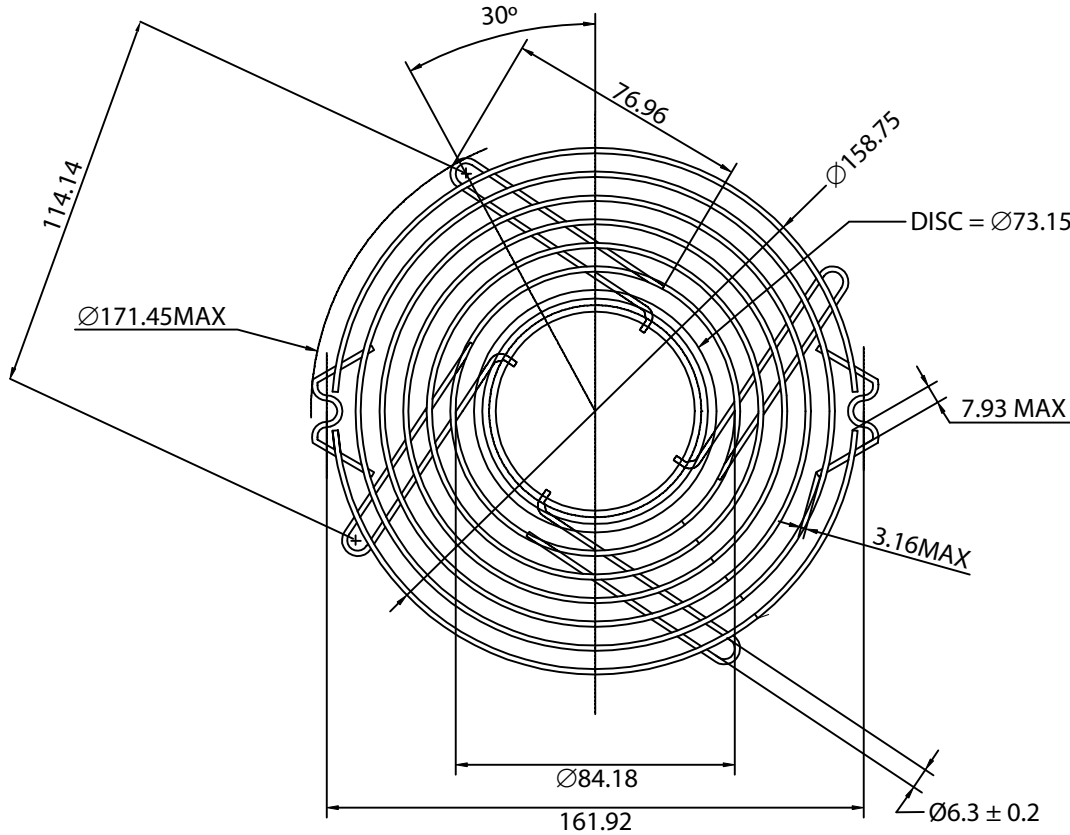
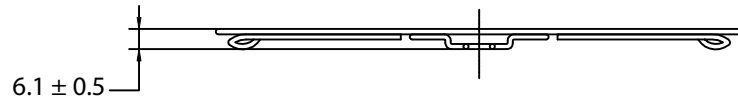


REVISION			
REV.	DESCRIPTION	DATE	APPROVED



NOTES:

1. MATERIAL: C1008 BRIGHT BASIC WIRE
2. FINISH: BRIGHT NICKEL CHROME PLATING
3. 0.35 ± 0.05 DEPTH OF SERRATIONS ON WIRE
4. RING:  $\varnothing 1.6 \pm 0.1\text{mm}$   
RIB:  $\varnothing 1.6 \pm 0.1\text{mm}$   
DISC:  $\varnothing 73.15$  T=0.8
5. GENERAL TOLERANCE UNLESS NOTED IS  $\pm 0.8\text{mm}$
6. RoHS COMPLIANT



THESE DRAWINGS ARE THE PROPERTY OF QUALTEK ELECTRONICS AND NOT TO BE REPRODUCED FOR OR COMMUNICATED TO A THIRD PARTY WITHOUT THE EXPRESS WRITTEN PERMISSION OF AN OFFICER OF QUALTEK ELECTRONICS.

**CONTROLLED**

Dim range (mm)	Tolerance +/- (mm)	Qualtek Electronics Corp. FAN-S DIVISION		
		Part Number:	08152	
0-5	0.1	Description: WIRE FORM FAN GUARD (150mm)		
5-16	0.15	UNIT: mm		
16-64	0.2	UNIT: mm		
64-250	0.4	UNIT: mm		
250-1000	0.5	Drawn / Date	Checked / Date	Approved / Date
1000-1500	1.0	R.Nuti 01-29-09	01-29-09	LY / 01-29-09