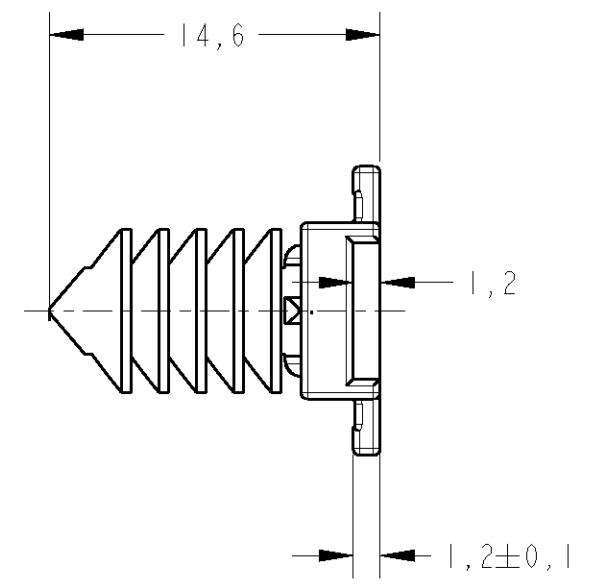
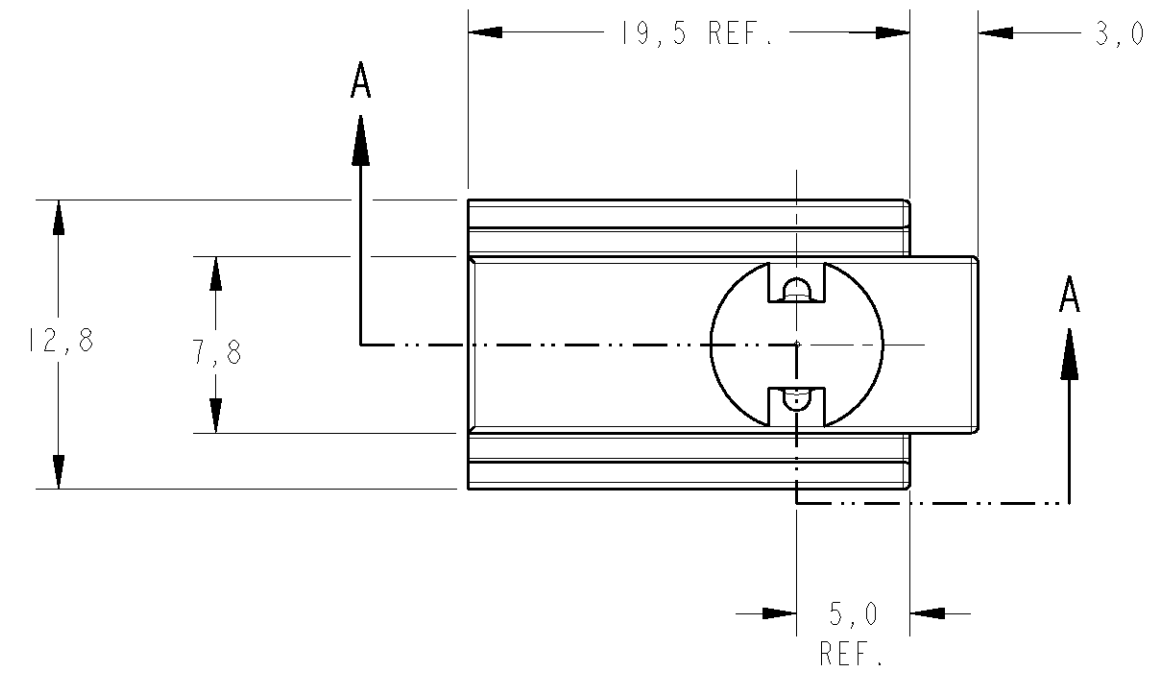


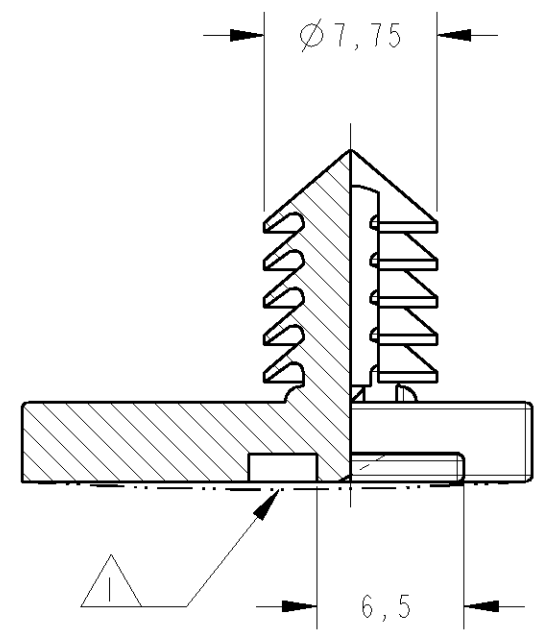
THIS DRAWING IS UNPUBLISHED. RELEASED FOR PUBLICATION 20  
 © COPYRIGHT 20 BY TYCO ELECTRONICS CORPORATION. ALL RIGHTS RESERVED.

**CAD**  
 Pro-E  
 DO NOT REVISE  
 EXCEPT BY CAD

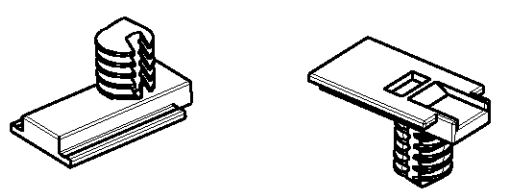
LOC	DIST	REVISIONS			
P	LTR	DESCRIPTION	DATE	DWN	APVD
AP	-				
	0	RELEASED BY EC LB00-0184/04	08APR2004	MRB	PLF
	A	REVISED BY EC LE10-0120/04	04AUG2004	EL	PLF



GRAVAÇÃO MARKING
LOGOTIPO TYCO TYCO LOGO
NOMENCLATURA MATERIAL MATERIAL NOMENCLATURE
NÚMERO COMPONENTE TYCO TYCO COMPONENT NUMBER
NÚMERO CAVIDADE CAVITY NUMBER
REV+ LETRA REV.DA PEÇA REV.+ PART REV.LETTER



- △ - EMPENAMENTO PERMITIDO: 0,4 MÁX.      △ - WARPAGE PERMITTED: 0,4 MAX.
- 2 - FURO PADRÃO DE MONTAGEM: 6,5±0,2.      2 - ASSEMBLING STANDARD HOLE: 6,5±0,2.
- 3 - ESPESSURA DA CHAPA: 0,56 A 5,10.      3 - PLATE THICKNESS: 0,56 TO 5,10.



PERSPECTIVE VIEWS  
SCALE 1:1

SECTION A-A  
SCALE 3:1

—	CINZA / GRAY	PA 6.6	1599358-1
RAW MAT'L NO	FINISH	MATERIAL	PART NUMBER

THIS DRAWING IS A CONTROLLED DOCUMENT FOR TYCO ELECTRONICS CORPORATION. IT IS SUBJECT TO CHANGE AND THE CONTROLLING ENGINEERING ORGANIZATION SHOULD BE CONTACTED FOR THE LATEST REVISION.		DWN M.R.BRIZ 24MAR2004	TYCO ELECTRONICS do Brasil LTDA. Sao Paulo, Brasil	
DIMENSIONS: mm	TOLERANCES UNLESS OTHERWISE SPECIFIED:	CHK P.L.FARIA 30MAR2004	NAME CHRISTMAS TREE WITHOUT GASKET	
	0 PLC ±-	APVD M.RODRIGUES 30MAR2004	PRODUCT SPEC	RESTRICTED TO
	1 PLC ±0,3	APPLICATION SPEC	SIZE	
	2 PLC ±-	WEIGHT	CAGE CODE	
	3 PLC ±-		DRAWING NO	
	4 PLC ±-		SCALE	
	ANGLES ±1°		SHEET	
MATERIAL SEE TABLE	FINISH SEE TABLE	A3 00779 C-1599358		REV A
CUSTOMER DRAWING			OF	