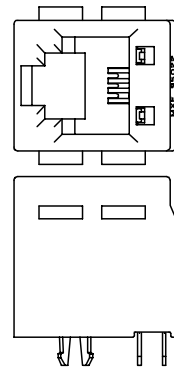
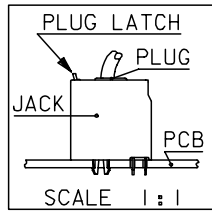
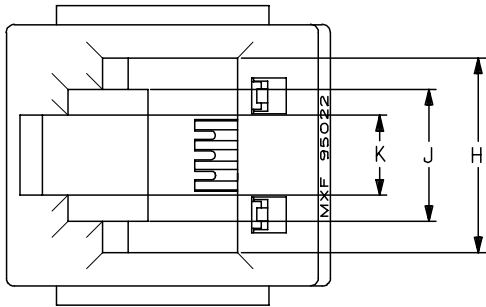
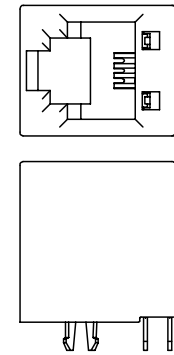


10 9 8 7 6 5 4 3 2 1



VERSION WITH SPLIT RIBS

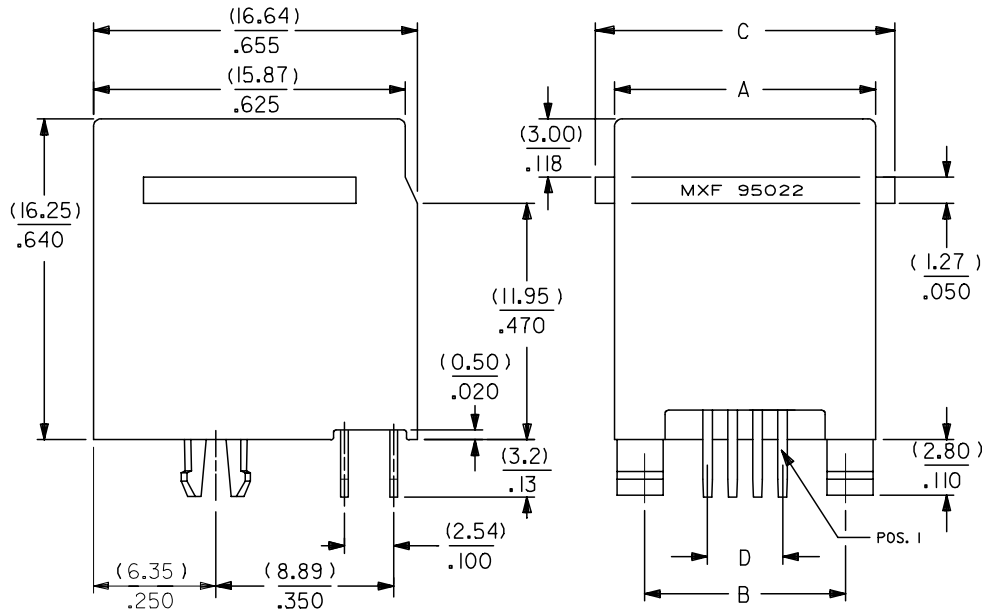


VERSION WITHOUT RIBS

NOTES :

1- MATERIAL:

- HOUSING: POLYESTER FIBER GLASS FILLED 94-V-0 COLOR BLACK.
- TERMINAL: PHOSPHOR BRONZE.
- FINISH 2  
POST PLATE (0.00127-0.00152)/.000050-.000060 GOLD IN CONTACT AREA (0.00190)/.000075 MIN. PURE TIN IN TAIL AREA BOTH OVER (0.00127)/.000050 MIN. NICKEL OVERALL.
- FINISH 7 ONLY ON REQUEST  
POST PLATE 0.00005/.000002 MIN GOLD OVER 0.00076/.000030 MIN PALLADIUM NICKEL IN CONTACT AREA. 0.00190/.000075 MIN TIN IN TAIL AREA. BOTH OVER 0.00127/.000050 MIN NICKEL OVERALL.
- 2- PC BOARD THICKNESS : (1.57) / .062 .
- 3- JACK FOR MATING WITH F.C.C. 68 PLUGS 90075 MOLEX SERIES .
- 4- PRODUCT SPECIFICATION PS-95003.
- 5- APPLICATION SPECIFICATION AS-95001.
- 6- PACKAGING SPECIFICATION PK-95022. (SHT.1 TRAY PACKAGING) PK-95022. (SHT.2 TUBE PACKAGING)
- 7- FOR ILLUSTRATION PURPOSES A 4 CIRCUIT IS SHOWN.
- 8- PACKAGING SPECIFICATION RPK-95022-001 (TUBE PACKAGING).



ENTER DESCRIPTION	QUALITY SYMBOLS
EC NO: MG2004-0207	▽=0
DRWNG:GCHTEINA 2004/08/26	▽C=0
CHKD:CARABET 2004/08/31	
APPR:KNOLLER 2004/09/08	
REV	
N1	

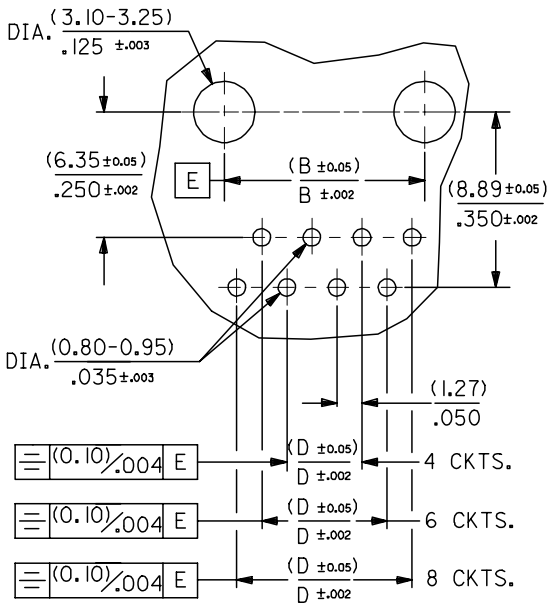
GENERAL TOLERANCES (UNLESS SPECIFIED)	DIMENSION STYLE
	MM/IN
4 PLACES ± --- ± ---	DRAWN BY DATE
3 PLACES ± --- ± .010	DP 88/02/18
2 PLACES ± 0.25 ± .014	CHECKED BY DATE
1 PLACE ± 0.35 ± ---	FB 88/02/19
ANGULAR ± 2 °	APPROVED BY DATE
	JB 88/02/19
DRAFT WHERE APPLICABLE MUST REMAIN WITHIN DIMENSIONS	MATERIAL NO.
	SEE CHART SHT. 2

SCALE	DESIGN UNITS	THIRD ANGLE PROJECTION
4:1	METRIC	
HIGH PROFILE TOP ENTRY JACK		
MOLEX MOLEX INCORPORATED		
DOCUMENT NO.	SHEET NO.	
SDA-95022	1 OF 4	
THIS DRAWING CONTAINS INFORMATION THAT IS PROPRIETARY TO MOLEX INCORPORATED AND SHOULD NOT BE USED WITHOUT WRITTEN PERMISSION		

9 8 7 6 5 4 3 2 1

**PART NUMBERS FOR JACK WITH RIBS**

	TYPE PLAT'G	PACKA- GING	POS. 4	POS. 6	POS. 6	POS. 8	POS. 8	POS. 8
			4 CKTS.	4 CKTS.	6 CKTS.	4 CKTS.	6 CKTS.	8 CKTS.
FINISH 2	TRAY		95022-2447 X	95022-2647 X	95022-2667 X	95022-2847	95022-2867	95022-2887 X
	TUBE		95022-2407 X SEE NOTE 8 SH.1	95022-2607 X SEE NOTE 8 SH.1	95022-2617 X SEE NOTE 8 SH.1	95022-2807	95022-2817	95022-2827 X
FINISH 7	TRAY		95022-.447	95022-.647	95022-.667	95022-.847	95022-.867	95022-.887
	TUBE		95022-.407	95022-.607	95022-.617	95022-.807	95022-.817	95022-.827



**PART NUMBERS FOR JACK WITHOUT RIBS**

	TYPE PLAT'G	PACKA- GING	POS. 4	POS. 6	POS. 6	POS. 8	POS. 8	POS. 8
			4 CKTS.	4 CKTS.	6 CKTS.	4 CKTS.	6 CKTS.	8 CKTS.
FINISH 2	TRAY		95022-2441 X	95022-2641 X	95022-2661 X	95022-2841	95022-2861	95022-2881
	TUBE		95022-2401 X	95022-2601 X	95022-2611 X	95022-2801	95022-2811	95022-2821
FINISH 7	TRAY		95022-.441	95022-.641	95022-.661	95022-.841	95022-.861	95022-.881
	TUBE		95022-.401	95022-.601	95022-.611	95022-.801	95022-.811	95022-.821

**PART NUMBERS FOR JACK WITH SPLIT RIBS**

	TYPE PLAT'G	PACKA- GING	POS. 4	POS. 6	POS. 6	POS. 8	POS. 8	POS. 8
			4 CKTS.	4 CKTS.	6 CKTS.	4 CKTS.	6 CKTS.	8 CKTS.
FINISH 2	TUBE		95022-2449 X	95022-2649	95022-2669 X	95022-2849	95022-2869	95022-2889
FINISH 7	TUBE		95022-.449	95022-.649	95022-.669	95022-.849	95022-.869	95022-.889

DIM.	TYPE	POS. 4	POS. 6		POS. 8		
		4 CKTS.	4 CKTS.	6 CKTS.	4 CKTS.	6 CKTS.	8 CKTS.
A		(11.18) / .440	(13.21) / .520	(13.21) / .520	(15.24) / .600	(15.24) / .600	(15.24) / .600
B		(7.62) / .300	(10.16) / .400	(10.16) / .400	(11.43) / .450	(11.43) / .450	(11.43) / .450
C	(WITH RIBS)	(14.00) / .551	(16.00) / .630	(16.00) / .630	(18.00) / .709	(18.00) / .709	(18.00) / .709
	(WITH SPLIT RIBS)	(14.00) / .551	(16.00) / .630	(16.00) / .630	(18.00) / .709	(18.00) / .709	(18.00) / .709
D		(3.81) / .150	(3.81) / .150	(6.35) / .250	(3.81) / .150	(6.35) / .250	(8.89) / .350
H		(7.82) / .308	(9.88) / .389	(9.88) / .389	(11.94) / .470	(11.94) / .470	(11.94) / .470
J		(5.64) / .222	(6.70) / .264	(6.70) / .264	(6.30) / .248	(6.30) / .248	(6.30) / .248
K		(3.07) / .121	(4.06) / .160	(4.06) / .160	(4.06) / .160	(4.06) / .160	(4.06) / .160

ENTER DESCRIPTION EC NO: MG2004-0207 DRAWN: GECHTEVA 2004/08/26 CHKD: FCARABET 2004/08/31 APPR: KNOLLER 2004/09/08	QUALITY SYMBOLS ▽=0 ▽=0	GENERAL TOLERANCES (UNLESS SPECIFIED)		DIMENSION STYLE MM/IN		SCALE 4:1	DESIGN UNITS METRIC	THIRD ANGLE PROJECTION	
		4 PLACES ± ---	mm	INCH	DATE	TITLE HIGH PROFILE TOP ENTRY JACK			
		3 PLACES ± ---	± ---	± .010	90/03/09				
		2 PLACES ± 0.25	± 0.25	± .014	90/03/09				
1 PLACE ± 0.35	± ---	± ---	90/03/09	MOLEX INCORPORATED					
ANGULAR ± 2 °			DATE						
DRAFT WHERE APPLICABLE MUST REMAIN WITHIN DIMENSIONS		SEE CHART		DOCUMENT NO. SDA-95022		SHEET NO. 2 OF 4			